



*Castlewood*®

*Hardwood  
Range Hood*

*Specification Guide*

Vol. VII  
Spring 2024



Design Enhancements by



**Manufacturing Facility:** 2781 Ellenburg Road  
Haleyville, AL 35565

**Warehouse:** 1772 Airport Road  
Haleyville, AL 35565

**Mailing Address:** P.O. Box 788  
Haleyville, AL 35565

**Customer Service:** 800-346-4042  
205-486-7558  
(fax) 205-486-7585  
service@castlewood.com

**Products Offered:** Bar Brackets  
Bun Feet  
Corbels  
Drawer Sides  
Face Frame Parts  
Fillers  
Floating Shelves  
Island Posts  
Kitchen Accessories  
Moldings  
Ornaments  
Pillars  
Range Hoods  
Stemware Holders  
Table Legs  
Valances  
Vanity Bases  
Ventilation  
Wine Lattice

**Wood Species:** Alder  
Cherry  
Hickory  
Maple  
Red Oak  
White Oak  
Spruce

**Lead Time:** 2-3 Weeks

This manual is provided as a guide for specifying range hoods and components for new construction and remodeling applications. The information contained herein is intended for authorized dealers and their clients. Proper care and safety should be used when working with tools or installing electrical components.

The materials used to produce the products in this manual are of the highest quality available. The construction methods and joinery employed are in accordance with standards established by the  
**KCMA**  
 (Kitchen Cabinet Manufacturers Association).

These fine products are sanded and ready to be finished. The dimensional information contained here is deemed to be accurate at the time of printing. Castlewood reserves the right to change specifications without notice. For access to the most current information, please visit [www.castlewood.com](http://www.castlewood.com).



# Table of Contents



## Chimney Hoods

Traditional Chimney Range Hood	2
Arched Valance Chimney Range Hood	3
Tall Traditional Chimney Range Hood	4
Corbel Chimney Range Hoods	5
Gourmet Chimney Range Hood	6
Epicurean Chimney Range Hood	7
Epicurean Arch Chimney Range Hood	8
Epicurean Elite Chimney Range Hood	9
Executive Chimney Range Hood	10
Cascade Chimney Range Hood	11
Rustic Shiplap Chimney Range Hood	12
Shiplap Chimney Range Hood	13
Rustic XL Shiplap Chimney Hood	14
XL Shiplap Chimney Range Hood	15
Shiplap Epicurean Chimney Range Hood	16
Rustic Shiplap Epicurean Range Hood	17
Paint Grade Shiplap Chimney Range Hood	18
Transitional Chimney Range Hood	19

## Island Hoods

Chimney Style Island Range Hood	20
Shiplap Island Range Hood	21
Arched Valance Island Range Hood	22
Arched Corbel Island Range Hoods	23

## Range Hood Fronts

Shaker Range Hood Front	24
Rustic Shiplap Hood Front	25
Shiplap Hood Front	26
Chimney Range Hood Front	27
Applied Molding Chimney Hood Front	28
Arched Plain Chimney Range Hood Front	29
Mantel Range Hood Front	30
Arched Raised Panel Mantel Range Hood Front	31
Applied Molding Mantel Hood Front	32
Arched Plain Mantel Range Hood Front	33
Shaker Mantel Range Hood Front	34
Shiplap Mantel Hood Front	35
Convex Range Hood Front	36
Tall Convex Range Hood Front	37
Coved Mantel Range Hood Front	38

## Mantel Hoods

Mantel Range Hoods	39-42
Arched Raised Panel Mantel Range Hood	43-46
Applied Molding Mantel Range Hood	47-48
Arched Plain Valance Mantel Range Hood	49-52
Decorative Mantel Range Hood	53
Contemporary Box Range Hood	54
Detachable 2 Piece Box Range Hood	55
Classic Mantel Range Hood	56
Connoisseur Mantel Range Hood	57-58
Connoisseur Classic Mantel Range Hood	59-60
Connoisseur Shaker Mantel Hood	61-62
Contemporary Mantel Range Hood	63-64
Shiplap Mantel Range Hood	65
Shiplap Box Range Hood	66

Shiplap Box Range Hood w/Extra Depth	67
Shiplap Arched Box Range Hood	68

## Pillars

Flat Panel Mantel Hood Pillars	69
Flat Panel Mantel Pillars with Pullouts	70

## Chimney Extensions

Shiplap Chimney Extensions	71
Chimney Hood Trim Kits	72

## Range Hood Bases

Arched Plain Valance Range Hood Base	74
Straight Valance Range Hood Base	75
Arched Raised Panel Valance Range Hood Base	76

## Floating Shelves

Plain Floating Shelf	77
Rustic Floating Shelves	78
Traditional Mantel Shelf	79
Coved Mantel Shelf	80

## Valances

	81
--	----

## Range Hood Corbels

	82-84
--	-------

## Liners

HLT T-shape Steel Liners	86
HLB Rectangular Steel Liners	87
HLZ Large Ventilator Steel Liners	88-89

## Recirculating Kits

SY-H-HARKPM21	86
SY-HVA-SDK	86

## Ventilation

Broan 300 CFM Economy Power Pack	90
Broan 400 CFM Ventilation Power Pack	91
Broan 600 CFM Ventilation Power Pack	92
Ascension 350 CFM Economy Power Pack	93
Ascension 350 CFM Ventilation Power Pack	94
Ascension 500 CFM Ventilation Power Pack	95
Ascension 620 CFM Ventilation Power Pack	96
Ascension 900 CFM Ventilation Power Pack	97
Ascension 1200 CFM Ventilation Power Pack	98
Broan Makeup Air Kits	99

## Installation Instructions

Chimney Range Hood mounting instructions	100
Shiplap Chimney Hood mounting instructions	101
Removable Access Chimney Hood mounting instructions	102
Chimney Hood Front mounting instructions	103
Mantel Range Hood mounting instructions	104
Mantel Range Hood Front mounting instructions	105
Box Range Hood mounting instructions	106
SY-HVA-SDK recirculating kit instructions (top vent)	107
SY-HVA-SDK recirculating kit instructions (side vent)	108
Floating Shelf mounting instructions	109
Push Button Switch Control replacement instructions	110
Chimney Trim Kit installation instructions	111

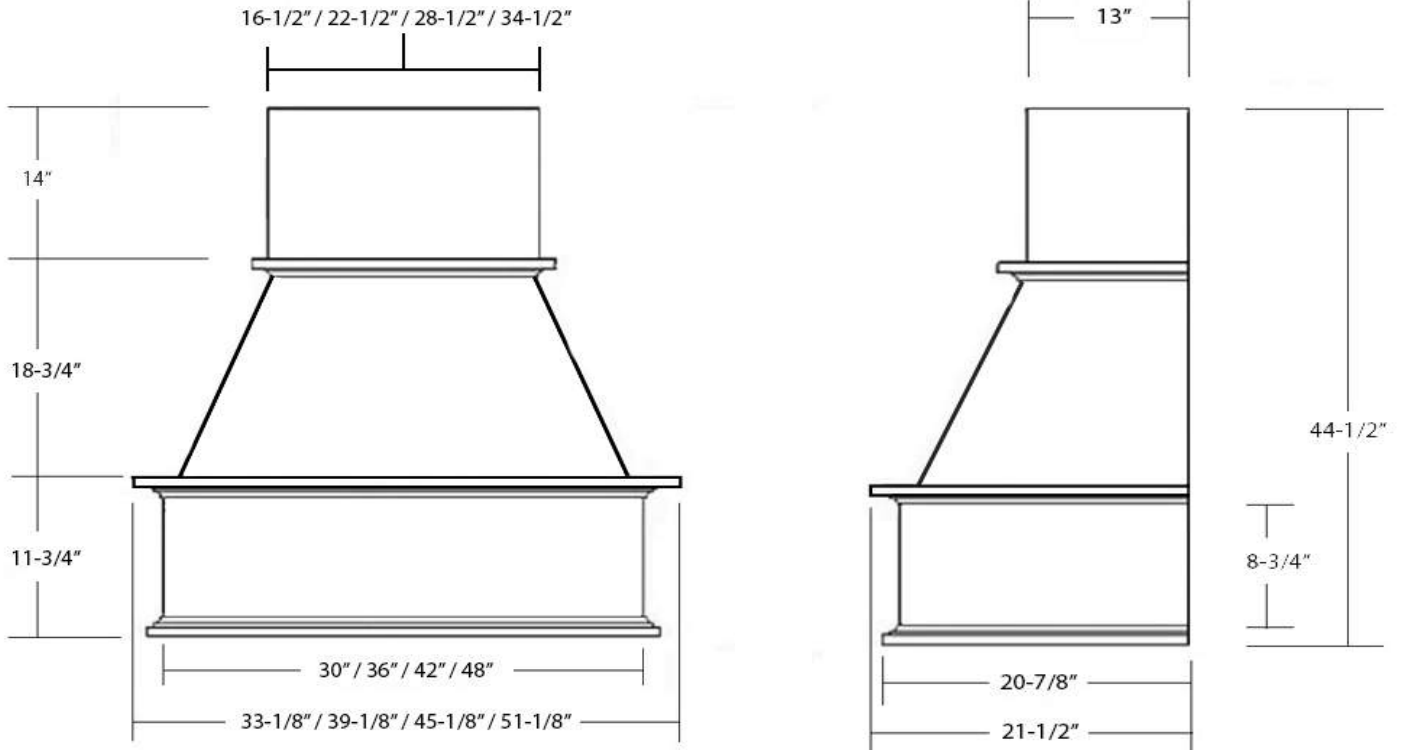




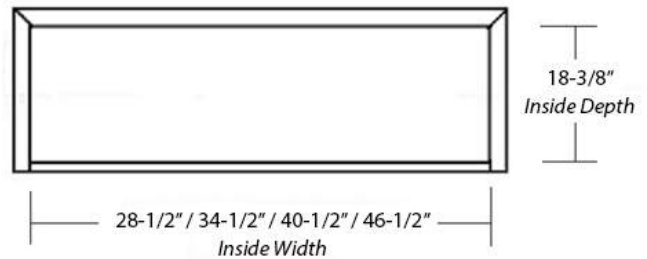
# Traditional Chimney Style Range Hood

Front View

Side View



Item #	Dimensions (h) x (w) x (d)	Liner	Liner
SY-WCH-30	44-1/2" x 33-1/8" x 21-1/2"	SY-HLB-30	SY-HLZ-30
SY-WCH-36	44-1/2" x 39-1/8" x 21-1/2"	SY-HLB-36	SY-HLZ-36
SY-WCH-42	44-1/2" x 45-1/8" x 21-1/2"	SY-HLB-42	SY-HLZ-42
SY-WCH-48	44-1/2" x 51-1/8" x 21-1/2"	SY-HLB-48	SY-HLZ-48



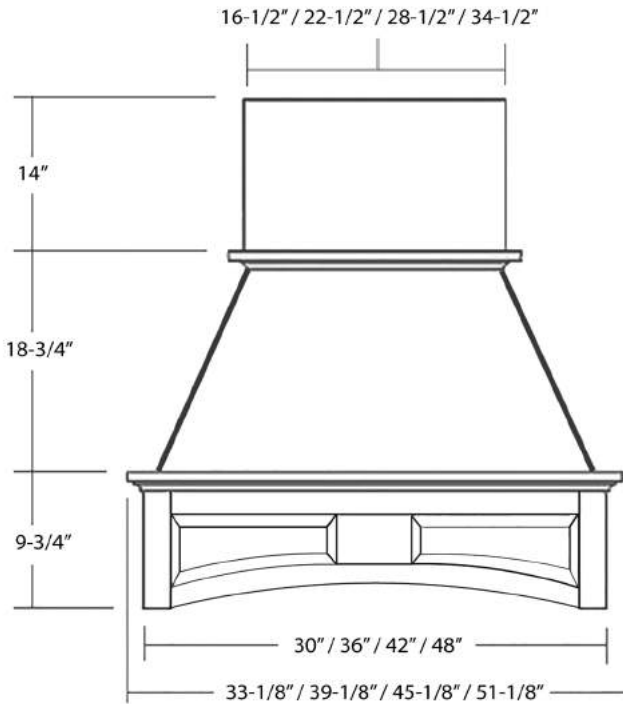
- Hardwood Plywood and Solid Lumber Construction
- 1/2" Rear Plywood Stretchers for wall mounting
- Accepts SY-HLB series Powder Coated or Stainless Steel Liners (*sold separately*)
- Select from 300, 400, and 600 CFM Broan Ventilation power packs (*sold separately*) or
- Ascension 350SL, 350SS, 500SS and 620SS CFM Ventilation power packs (*sold separately*) or
- 30" and 36" models accept Ascension 900 CFM Professional Ventilators (*requires HLZ series Liners*)
- 42" and 48" models accept Ascension 1200 CFM Professional Ventilators (*requires HLZ series Liners*)
- Available in Alder, Cherry, Hickory, Maple, Red Oak, White Oak and Paintgrade (*primed*)
- Optional Detachable Upper Access available
- Includes standard 14" height Chimney Extension (*packaged separately*)
- Optional 24" and 36" height Chimney Extensions available
- Base section will accommodate Ornaments in sizes up to 6" x 24"



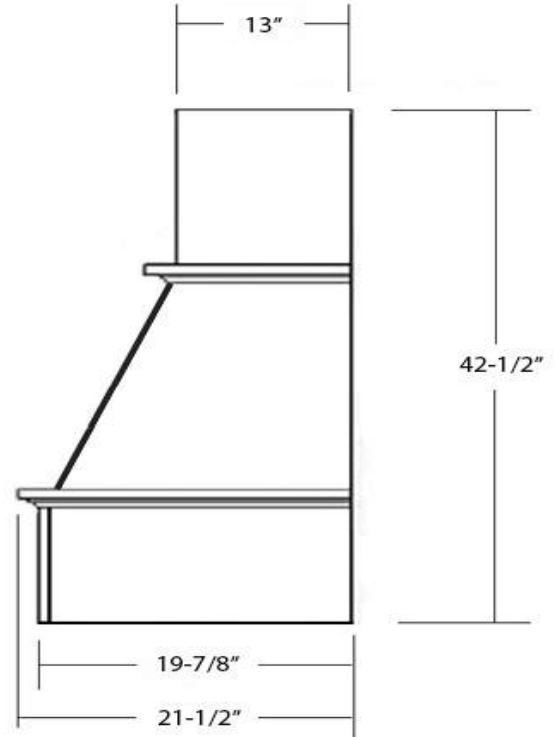
# Arched Valance Chimney Range Hood



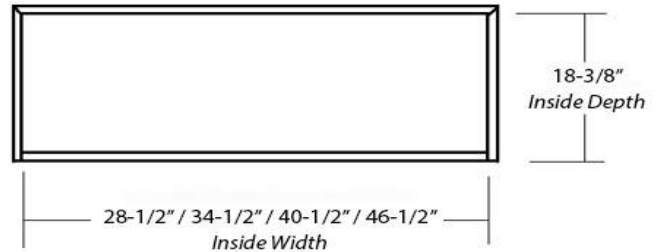
**Front View**



**Side View**



Item #	Dimensions (h) x (w) x (d)	Liner	Liner
SY-WCHAP-30	42-1/2" x 33-1/8" x 21-1/2"	SY-HLB-30	SY-HLZ-30
SY-WCHAP-36	42-1/2" x 39-1/8" x 21-1/2"	SY-HLB-36	SY-HLZ-36
SY-WCHAP-42	42-1/2" x 45-1/8" x 21-1/2"	SY-HLB-42	SY-HLZ-42
SY-WCHAP-48	42-1/2" x 51-1/8" x 21-1/2"	SY-HLB-48	SY-HLZ-48

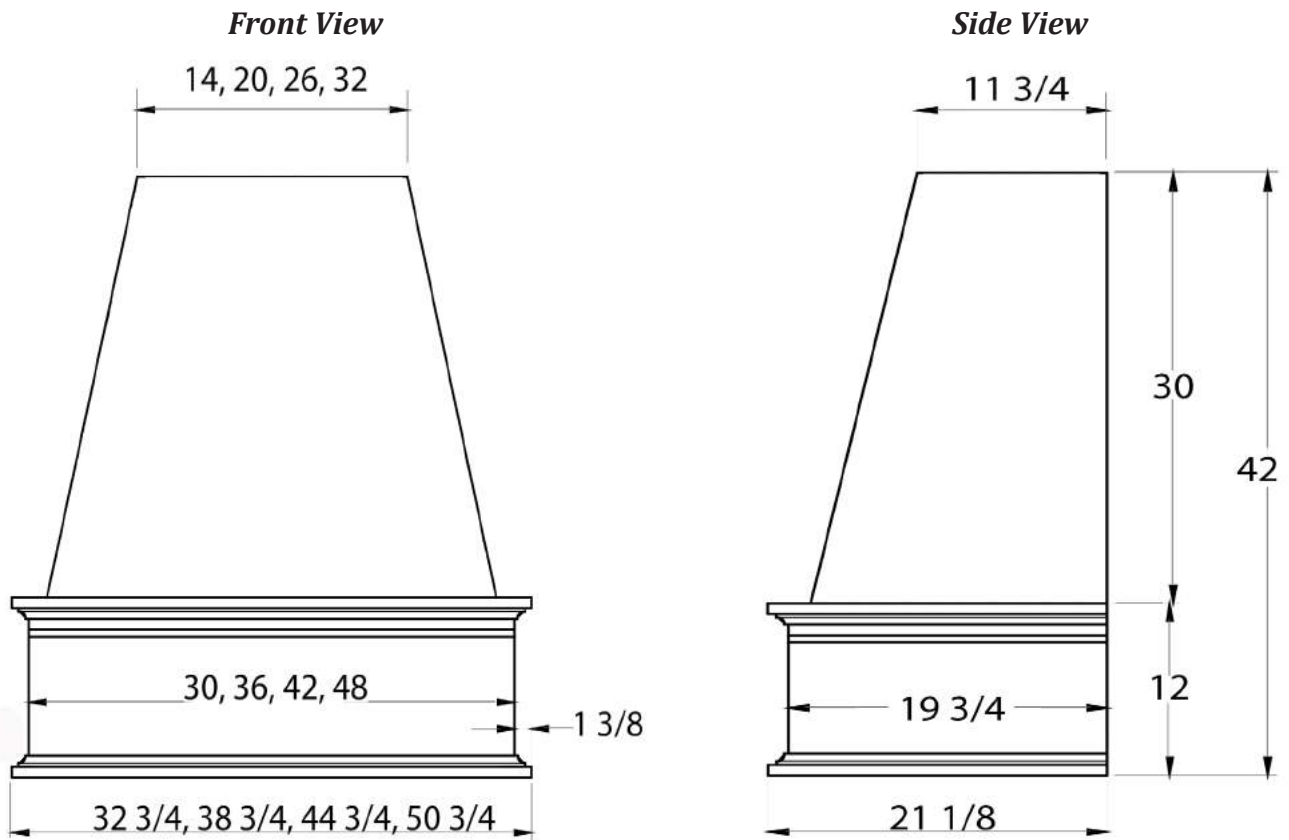


- Hardwood Plywood and Solid Lumber Construction
- 1/2" Rear Plywood Stretchers for wall mounting
- Accepts SY-HLB series Powder Coated or Stainless Steel Liners *(sold separately)*
- Select from 300, 400, and 600 CFM Broan Ventilation power packs *(sold separately)* or
- Ascension 350SL, 350SS and 500SS CFM Ventilation power packs *(sold separately)* or
- Ascension 620SS Ventilation power packs *(36" and greater models only)*
- 30" and 36" models accept Ascension 900 CFM Professional Ventilators *(requires HLZ series Liners)*
- 42" and 48" models accept Ascension 1200 CFM Professional Ventilators *(requires HLZ series Liners)*
- Available in Cherry, Maple and Red Oak
- Optional Detachable Upper Access available
- Includes standard 14" height Chimney Extension *(packaged separately)*
- Optional 24" and 36" height Chimney Extensions available

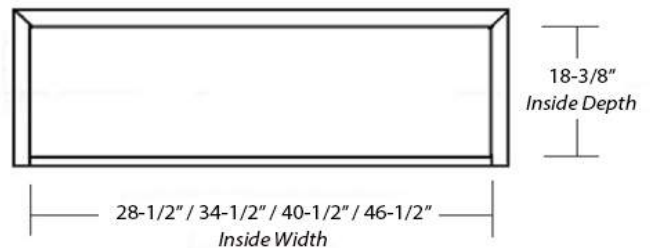




# Tall Traditional Chimney Hood



Item #	Dimensions (h) x (w) x (d)	Liner	Liner
SY-WCHH-30	42" X 32-3/4" X 21-1/8"	SY-HLB-30	SY-HLZ-30
SY-WCHH-36	42" X 38-3/4" X 21-1/8"	SY-HLB-36	SY-HLZ-36
SY-WCHH-42	42" X 44-3/4" X 21-1/8"	SY-HLB-42	SY-HLZ-42
SY-WCHH-48	42" X 50-3/4" X 21-1/8"	SY-HLB-48	SY-HLZ-48



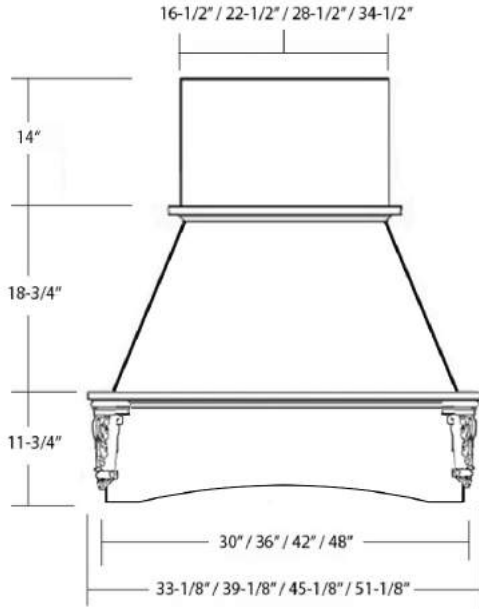
- Hardwood Plywood and Solid Lumber Construction
- 1/2" Rear Plywood Stretchers for wall mounting
- Accepts SY-HLB series Powder Coated or Stainless Steel Liners (sold separately)
- Select from 300, 400, and 600 CFM Broan Ventilation power packs (sold separately) or
- Ascension 350SL, 350SS, 500SS and 620SS CFM Ventilation power packs (sold separately) or
- 30" and 36" models accept Ascension 900 CFM Professional Ventilators (requires HLZ series Liners)
- 42" and 48" models accept Ascension 1200 CFM Professional Ventilators (requires HLZ series Liners)
- Available in Alder, Cherry, Hickory, Maple, Red Oak, and White Oak
- Detachable Upper Access is standard
- Optional 15", 24", and 36" height Chimney Extensions available
- Base section will accommodate Ornaments in sizes up to 6" x 24"



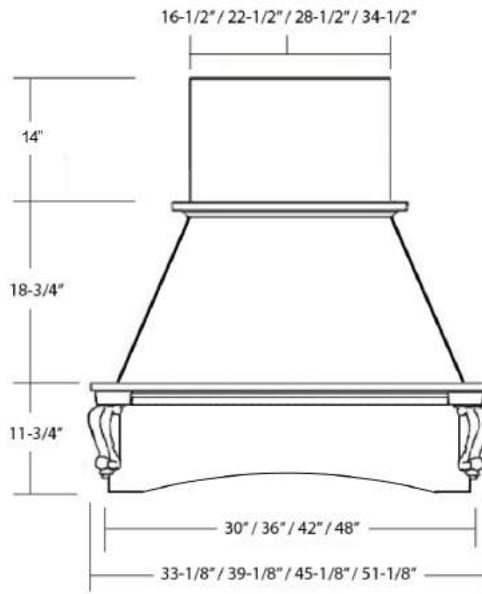
# Corbel Chimney Range Hoods



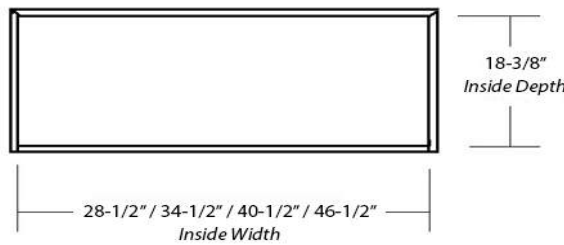
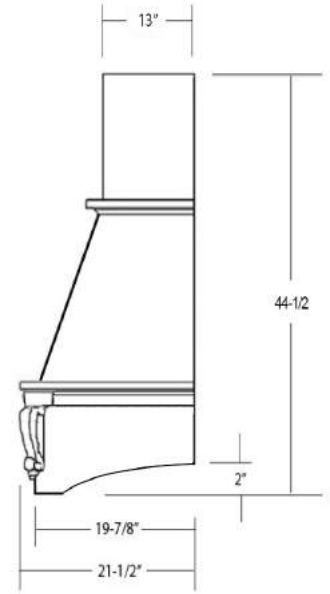
**SY-WCHAC Front View**



**SY-WCHAS Front View**



**Side Views**



Item #	Dimensions (h) x (w) x (d)	Liner	Liner
SY-WCHAC-30	44-1/2" x 33-1/8" x 21-1/2"	SY-HLB-30	SY-HLZ-30
SY-WCHAC-36	44-1/2" x 39-1/8" x 21-1/2"	SY-HLB-36	SY-HLZ-36
SY-WCHAC-42	44-1/2" x 45-1/8" x 21-1/2"	SY-HLB-42	SY-HLZ-42
SY-WCHAC-48	44-1/2" x 51-1/8" x 21-1/2"	SY-HLB-48	SY-HLZ-48

Item #	Dimensions (h) x (w) x (d)	Liner	Liner
SY-WCHAS-30	44-1/2" x 33-1/8" x 21-1/2"	SY-HLB-30	SY-HLZ-30
SY-WCHAS-36	44-1/2" x 39-1/8" x 21-1/2"	SY-HLB-36	SY-HLZ-36
SY-WCHAS-42	44-1/2" x 45-1/8" x 21-1/2"	SY-HLB-42	SY-HLZ-42
SY-WCHAS-48	44-1/2" x 51-1/8" x 21-1/2"	SY-HLB-48	SY-HLZ-48

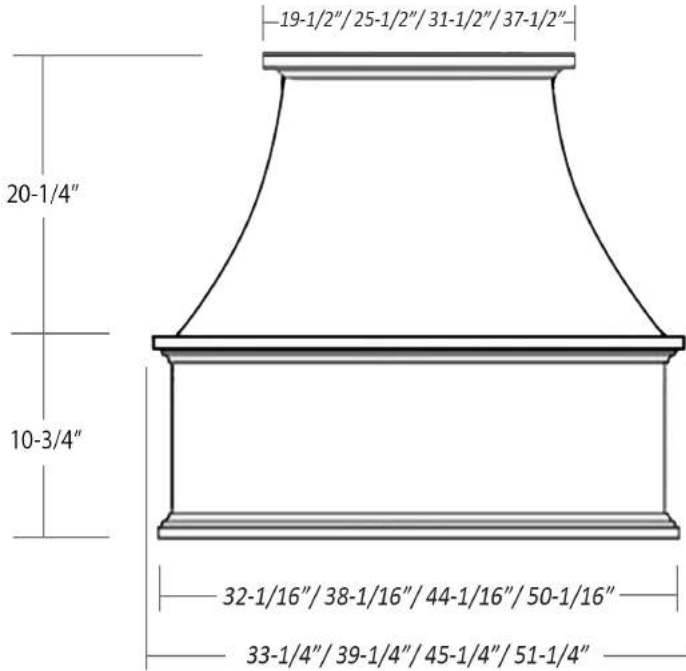
- Hardwood Plywood and Solid Lumber Construction
- 1/2" Rear Plywood Stretchers for wall mounting
- Accepts SY-HLB series Powder Coated or Stainless Steel Liners *(sold separately)*
- Select from 300, 400, and 600 CFM Broan Ventilation power packs *(sold separately)* or
- Ascension 350SL, 350SS, 500SS and 620SS CFM Ventilator power packs *(sold separately)* or
- 30" and 36" models accept Ascension 900 CFM Professional Ventilators *(requires HLZ series Liners)*
- 42" and 48" models accept Ascension 1200 CFM Professional Ventilators *(requires HLZ series Liners)*
- Available in Cherry, Maple and Red Oak
- Includes standard 14" height Chimney Extension *(packaged separately)*
- Optional 24" and 36" height Chimney Extensions available



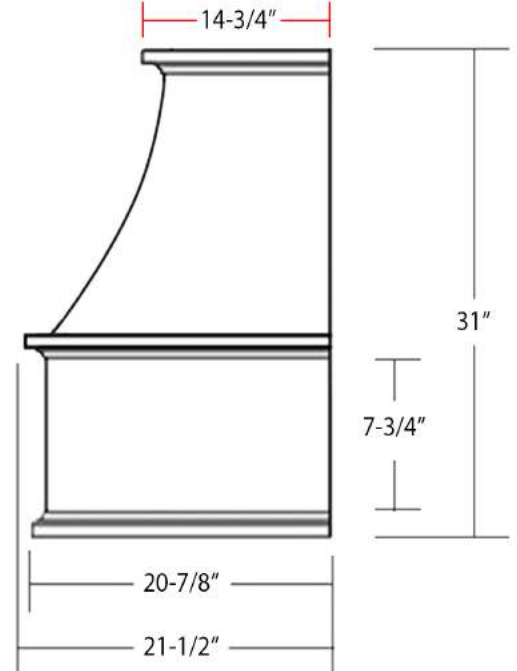


# Gourmet Chimney Range Hood

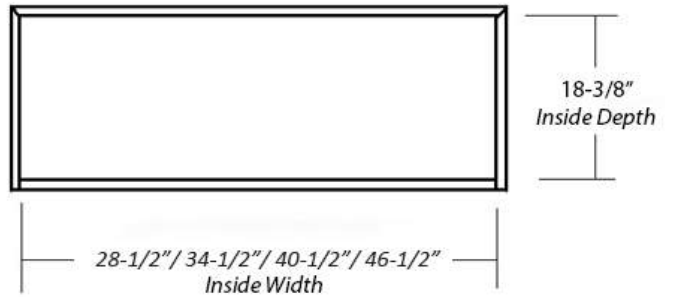
**Front View**



**Side View**



Item #	Dimensions (h) x (w) x (d)	Liner	Liner
SY-WCVS-30	31" X 33-1/4" X 21-1/2"	SY-HLB-30	N/A
SY-WCVS-36	31" X 39-1/4" X 21-1/2"	SY-HLB-36	SY-HLZ-36
SY-WCVS-42	31" X 45-1/4" X 21-1/2"	SY-HLB-42	SY-HLZ-42
SY-WCVS-48	31" X 51-1/4" X 21-1/2"	SY-HLB-48	SY-HLZ-48



- Veneer, Hardwood Plywood and Solid Lumber Construction
- 1/2" Rear Plywood Stretchers for wall mounting
- Accepts SY-HLB series Powder Coated or Stainless Steel Liners (*sold separately*)
- Select from 300, 400 and 600 CFM Broan Ventilation power packs (*sold separately*) or
- Ascension 350SL, 350SS, 500SS and 620SS CFM Ventilation power packs (*sold separately*) or
- 30" models accept Broan 300SS and Ascension 350SL, 350SS, and 500SS (only)
- 36" models accept Ascension 900 CFM Professional Ventilators (requires HLZ series Liners)
- 42" and 48" models accept Ascension 1200 CFM Professional Ventilators (requires HLZ series Liners)
- Available in Alder, Cherry, Hickory, Maple, Red Oak, and White Oak
- Optional Detachable Upper Access available
- Optional 14", 24" and 36" height Chimney Extensions available
- Base section will accommodate Ornament sizes up to 6" x 24"

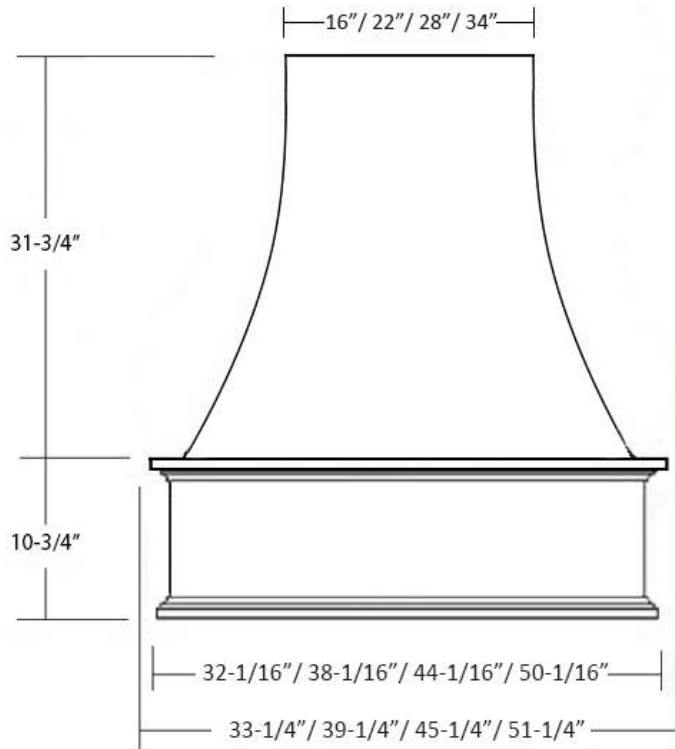




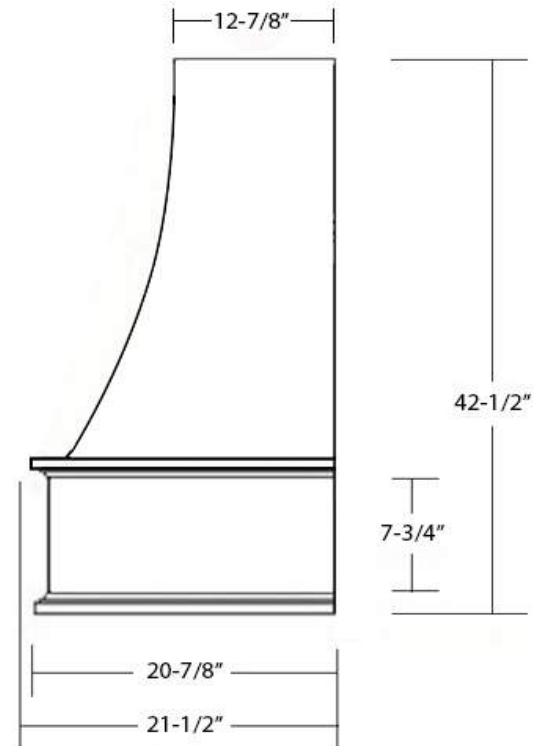
# Epicurean Chimney Range Hood



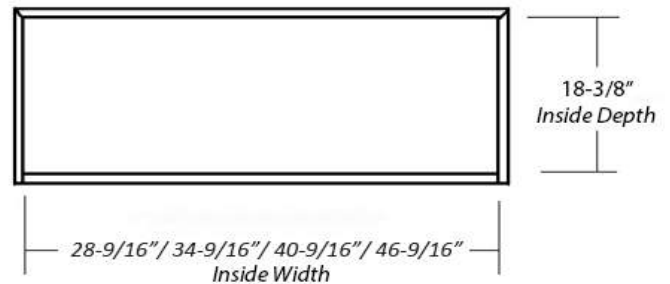
**Front View**



**Side View**



Item #	Dimensions (h) x (w) x (d)	Liner	Liner
SY-WCVH-30	42-1/2" X 33-1/4" X 21-1/2"	SY-HLB-30	N/A
SY-WCVH-36	42-1/2" X 39-1/4" X 21-1/2"	SY-HLB-36	SY-HLZ-36
SY-WCVH-42	42-1/2" X 45-1/4" X 21-1/2"	SY-HLB-42	SY-HLZ-42
SY-WCVH-48	42-1/2" X 51-1/4" X 21-1/2"	SY-HLB-48	SY-HLZ-48



- Veneer, Hardwood Plywood and Solid Lumber Construction
- 1/2" Rear Plywood Stretchers for wall mounting
- Accepts SY-HLB series Powder Coated or Stainless Steel Liners (*sold separately*)
- Select from 300, 400 and 600 CFM Broan Ventilation power packs (*sold separately*) or
- *Ascension 350SL, 350SS, 500SS and 620SS CFM Ventilation power packs (sold separately) or*
- *30" models accept Broan 300SS and Ascension 350SL, 350SS, and 500SS (only)*
- *36" models accept Ascension 900 CFM Professional Ventilators (requires HLZ series Liners)*
- *42" and 48" models accept Ascension 1200 CFM Professional Ventilators (requires HLZ series Liners)*
- Available in Alder, Cherry, Hickory, Maple, Red Oak, and White Oak
- Optional Detachable Upper Access available
- Optional 14", 24" and 36" height Chimney Extensions available (*requires trim kit*)
- Base section will accommodate Ornament sizes up to 6" x 24"

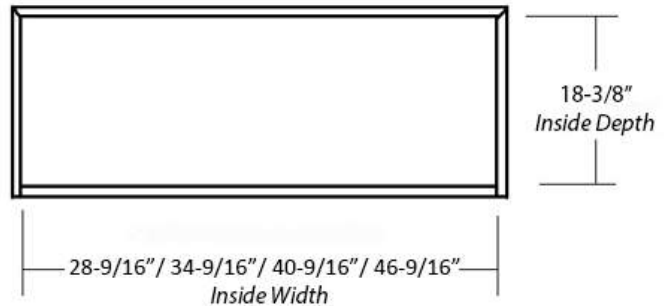
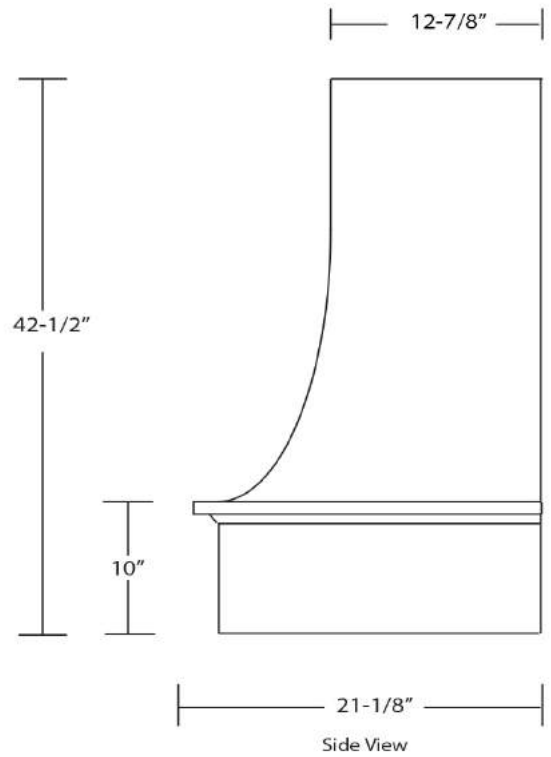
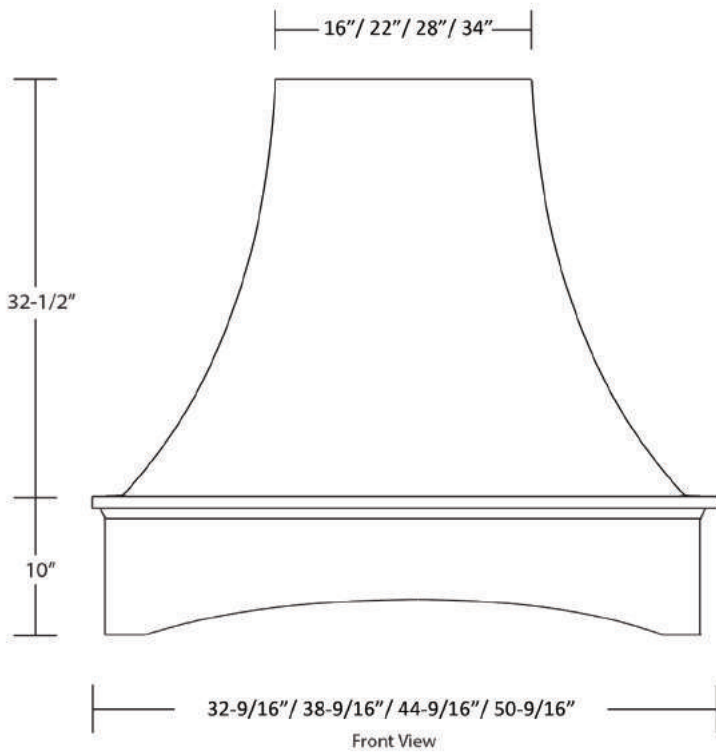




# Epicurean Arch Chimney Range Hood

Front View

Side View



Item #	Dimensions (h) x (w) x (d)	Liner
SY-WCVA-30	42-1/2" X 32-9/16" X 21-1/8"	SY-HLB-30
SY-WCVA-36	42-1/2" X 38-9/16" X 21-1/8"	SY-HLB-36
SY-WCVA-42	42-1/2" X 44-9/16" X 21-1/8"	SY-HLB-42
SY-WCVA-48	42-1/2" X 50-9/16" X 21-1/8"	SY-HLB-48

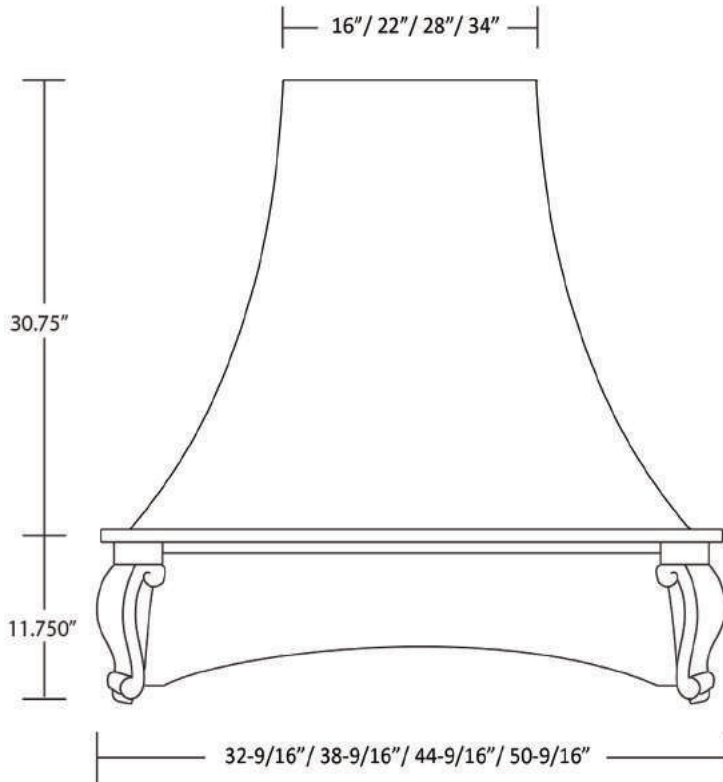
- Veneer, Hardwood Plywood and Solid Lumber Construction
- 1/2" Rear Plywood Stretchers for wall mounting
- Accepts SY-HLB series Powder Coated or Stainless Steel Liners (sold separately)
- Select from 300, 400 and 600 CFM Broan Ventilation power packs (sold separately) or Ascension 350SL, 350SS, 500SS and 620SS CFM Ventilation power packs (sold separately)
- 30" models accept Broan 300SS and Ascension 350SL, 350SS, and 500SS (only)
- Available in Alder, Cherry, Hickory, Maple, Red Oak and White Oak
- Optional Detachable Upper Access available
- Optional 14", 24" and 36" height Chimney Extensions available (requires trim kit)



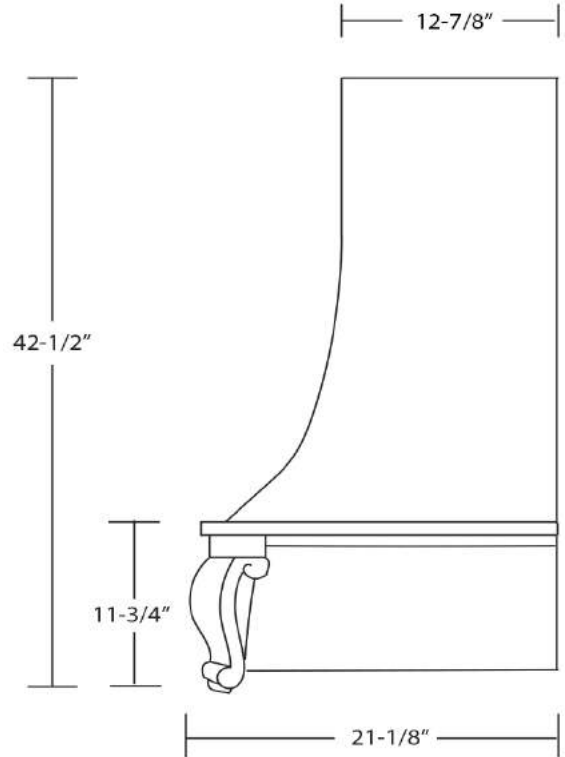
# Epicurean Elite Range Hood



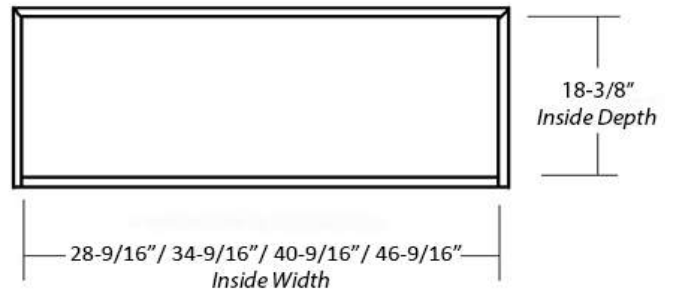
Front View



Side View



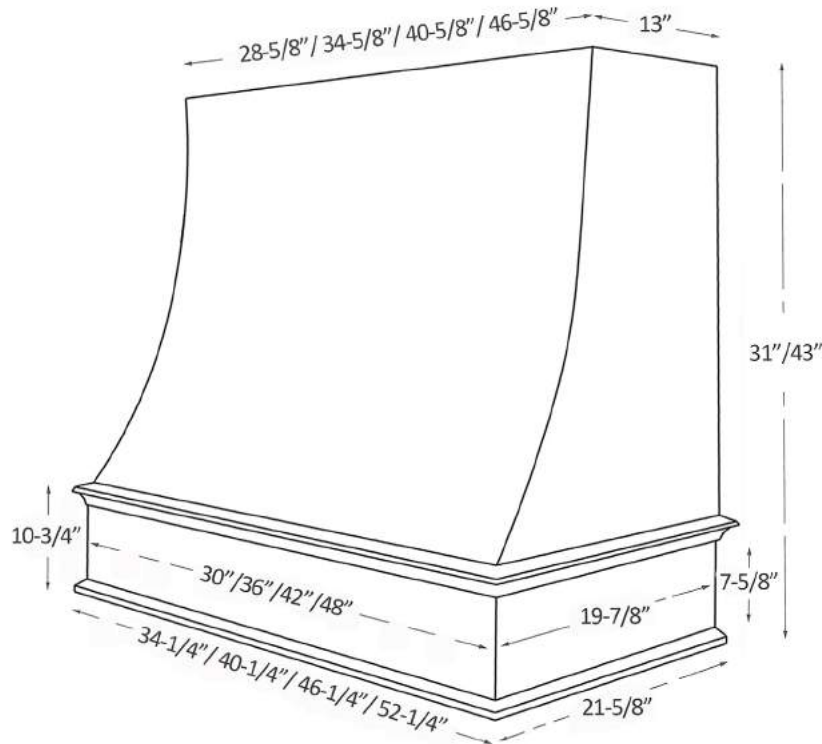
Item #	Dimensions (h) x (w) x (d)	Liner
SY-WCVAC-30	42-1/2" X 32-9/16" X 21-1/8"	SY-HLB-30
SY-WCVAC-36	42-1/2" X 38-9/16" X 21-1/8"	SY-HLB-36
SY-WCVAC-42	42-1/2" X 44-9/16" X 21-1/8"	SY-HLB-42
SY-WCVAC-48	42-1/2" X 50-9/16" X 21-1/8"	SY-HLB-48



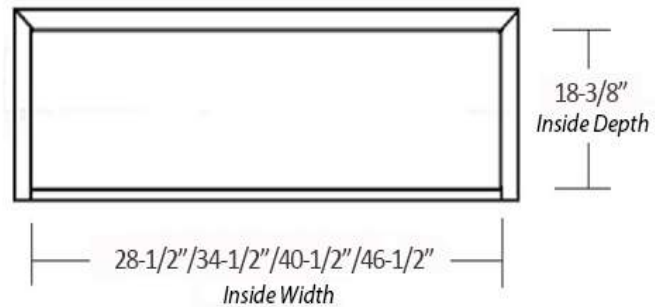
- Veneer, Hardwood Plywood and Solid Lumber Construction
- 1/2" Rear Plywood Stretchers for wall mounting
- Accepts SY-HLB series Powder Coated or Stainless Steel Liners (sold separately)
- Select from 300, 400 and 600 CFM Broan Ventilation power packs (sold separately) or Ascension 350SL, 350SS, 500SS and 620SS CFM Ventilation power packs (sold separately)
- 30" models accept Broan 300SS and Ascension 350SL, 350SS, and 500SS (only)
- Available in Cherry, Maple and Red Oak
- Optional Detachable Upper Access available
- Optional 14", 24" and 36" height Chimney Extensions available (requires trim kit)



# Executive Chimney Range Hood



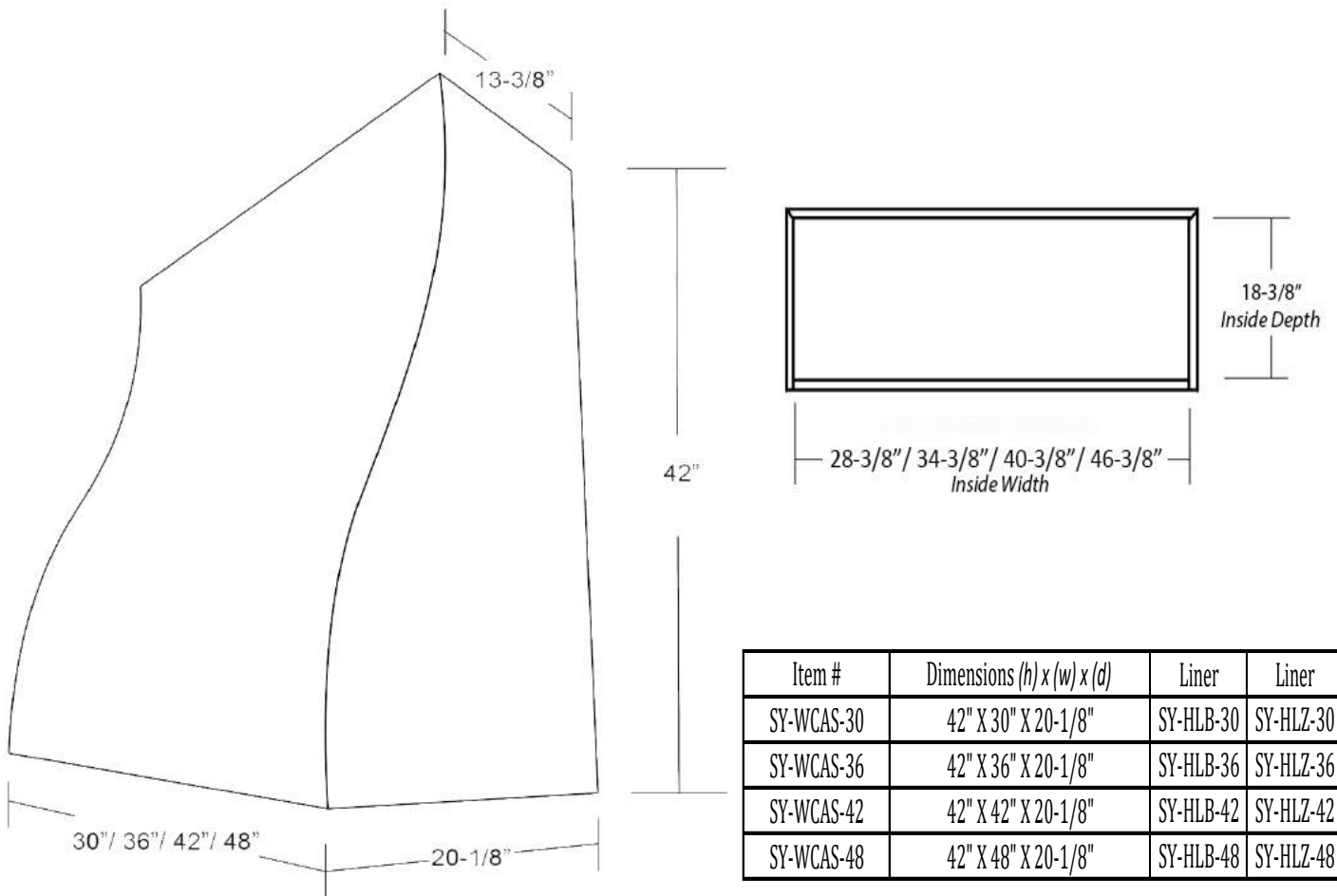
Item #	Dimensions (h) x (w) x (d)	Liner	Liner
SY-WCVX-3030	31" X 34-1/4" X 21-5/8"	SY-HLB-30	SY-HLZ-30
SY-WCVX-3630	31" X 40-1/4" X 21-5/8"	SY-HLB-36	SY-HLZ-36
SY-WCVX-4230	31" X 46-1/4" X 21-5/8"	SY-HLB-42	SY-HLZ-42
SY-WCVX-4830	31" X 52-1/4" X 21-5/8"	SY-HLB-48	SY-HLZ-48
SY-WCVX-3042	43" X 34-1/4" X 21-5/8"	SY-HLB-30	SY-HLZ-30
SY-WCVX-3642	43" X 40-1/4" X 21-5/8"	SY-HLB-36	SY-HLZ-36
SY-WCVX-4242	43" X 46-1/4" X 21-5/8"	SY-HLB-42	SY-HLZ-42
SY-WCVX-4842	43" X 52-1/4" X 21-5/8"	SY-HLB-48	SY-HLZ-48



- Veneer, Hardwood Plywood and Solid Lumber Construction
- 1/2" Rear Plywood Stretchers for wall mounting
- Accepts SY-HLB series Powder Coated or Stainless Steel Liners *(sold separately)*
- Select from 300, 400 and 600 CFM Broan Ventilation power packs *(sold separately)* or
- Ascension 350SL, 350SS, 500SS and 620SS CFM Ventilation power packs *(sold separately)* or
- 30" and 36" models accept Ascension 900 CFM Professional Ventilators *(requires HLZ series Liners)*
- 42" and 48" models accept Ascension 1200 CFM Professional Ventilators *(requires HLZ series Liners)*
- Available in Alder, Cherry, Hickory, Maple, Red Oak, and White Oak
- Detachable Upper Access standard (-D)
- Optional 14", 24" and 36" height Chimney Extensions available
- Base section will accommodate Ornament sizes up to 6" x 24"



# Cascade Chimney Range Hood



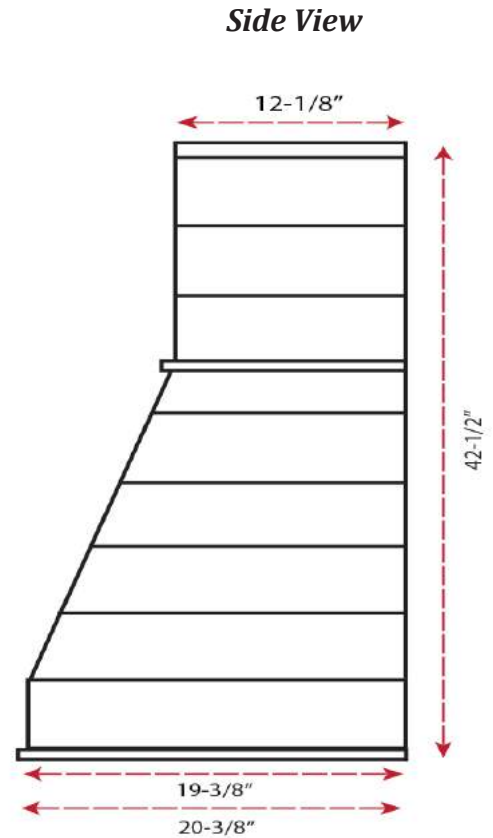
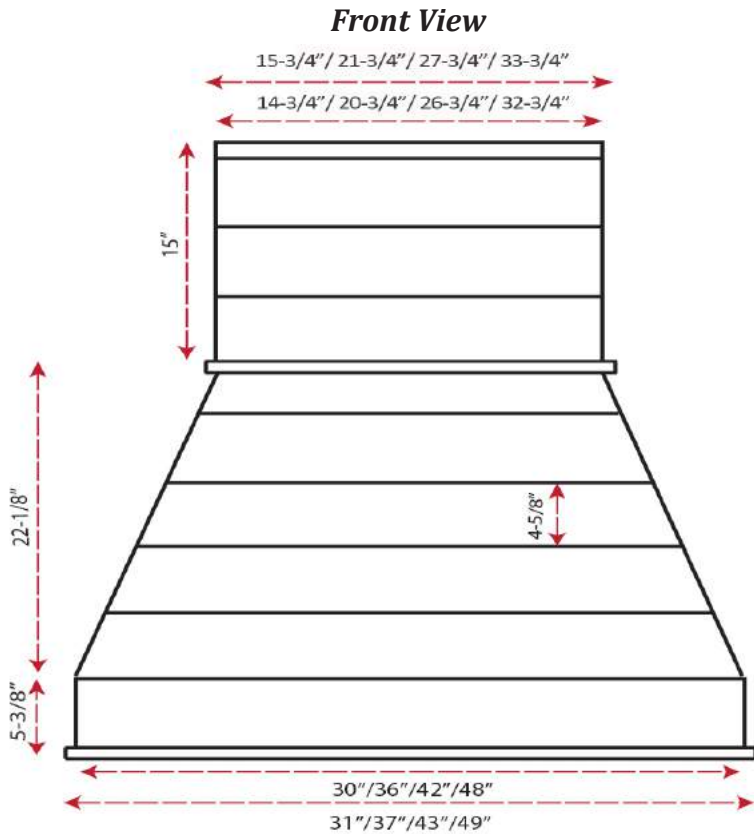
Item #	Dimensions (h) x (w) x (d)	Liner	Liner
SY-WCAS-30	42" X 30" X 20-1/8"	SY-HLB-30	SY-HLZ-30
SY-WCAS-36	42" X 36" X 20-1/8"	SY-HLB-36	SY-HLZ-36
SY-WCAS-42	42" X 42" X 20-1/8"	SY-HLB-42	SY-HLZ-42
SY-WCAS-48	42" X 48" X 20-1/8"	SY-HLB-48	SY-HLZ-48

- Veneer, Hardwood Plywood and Solid Lumber Construction
- 1/2" Rear Plywood Stretchers for wall mounting
- Accepts SY-HLB series Powder Coated or Stainless Steel Liners *(sold separately)*
- Select from 300, 400 and 600 CFM Broan Ventilation power packs *(sold separately)* or
- *Ascension 350SL, 350SS, 500SS and 620SS CFM Ventilation power packs (sold separately) or*
- *30" and 36" models accept Ascension 900 CFM Professional Ventilators (requires HLZ series Liners)*
- *42" and 48" models accept Ascension 1200 CFM Professional Ventilators (requires HLZ series Liners)*
- Available in Alder, Cherry, Hickory, Maple, Red Oak, and White Oak
- Optional 14", 24" and 36" height Chimney Extensions available *(requires trim kit)*

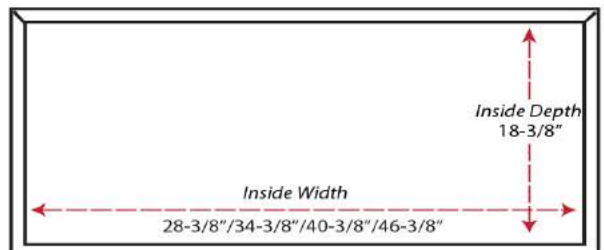




# Rustic Shiplap Chimney Range Hood



Item #	Dimensions (h) x (w) x (d)	Liner
SY-WCSLR-30	42-1/2" x 31" x 20-3/8"	SY-HLB-30
SY-WCSLR-36	42-1/2" x 37" x 20-3/8"	SY-HLB-36
SY-WCSLR-42	42-1/2" x 43" x 20-3/8"	SY-HLB-42
SY-WCSLR-48	42-1/2" x 49" x 20-3/8"	SY-HLB-48



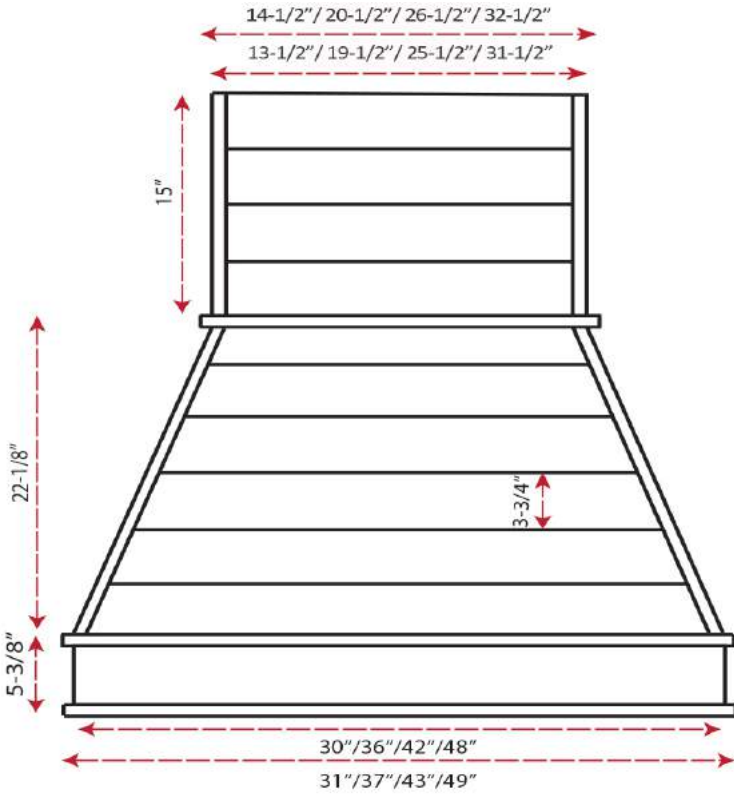
- Constructed with Weathered Spruce planks (*Rough Grain*)
- Pre-Finished with Sherwin Williams stain (Black, Brown, Dark Grey, Light Grey, White, Whitewash)
- 1/2" Rear Plywood Stretchers for wall mounting
- Accepts SY-HLB series Powder Coated or Stainless Steel Liners (*sold separately*)
- Select from 300, 400 and 600 CFM Broan Ventilation power packs (*sold separately*) or
- *Ascension 350SL, 350SS, and 500SS CFM Ventilation power packs (sold separately)*
- *Ascension 620SS Ventilation power pack (36" and greater models only)*
- Includes standard Chimney Extension (*see drawing*)
- *Optional Removable Access Panel available*
- *Optional 26-1/4" and 37-1/2" height Chimney Extensions available*



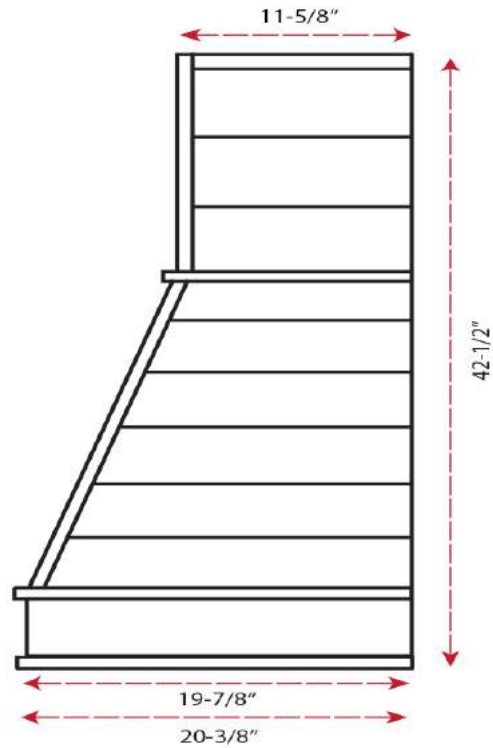
# Shiplap Chimney Range Hood



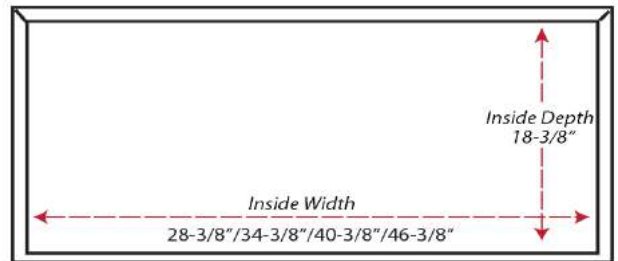
**Front View**



**Side View**



Item #	Dimensions (h) x (w) x (d)	Liner
SY-WCSL-30	42-1/2" x 31" x 20-3/8"	SY-HLB-30
SY-WCSL-36	42-1/2" x 37" x 20-3/8"	SY-HLB-36
SY-WCSL-42	42-1/2" x 43" x 20-3/8"	SY-HLB-42
SY-WCSL-48	42-1/2" x 49" x 20-3/8"	SY-HLB-48

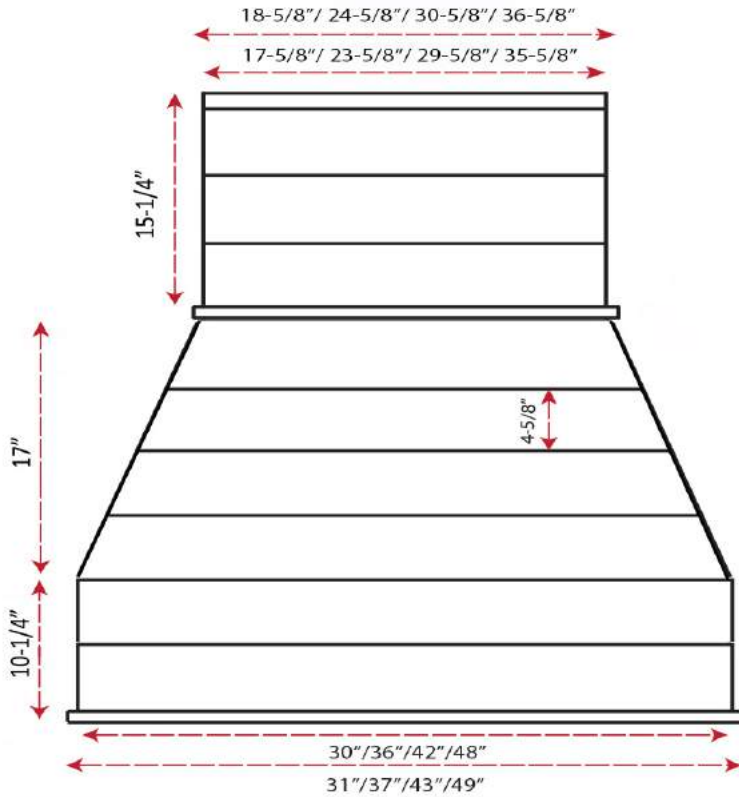


- Solid Hardwood Lumber Construction
- 1/2" Rear Plywood Stretchers for wall mounting
- Accepts SY-HLB series Powder Coated or Stainless Steel Liners (sold separately)
- Select from 300, 400 and 600 CFM Broan Ventilation power packs (sold separately) or
- Ascension 350SL, 350SS, and 500SS CFM Ventilation power packs (sold separately)
- Ascension 620SS Ventilation power pack (36" and greater models only)
- Available in Alder, Cherry, Hickory, Maple, Red Oak, and White Oak
- Includes standard Chimney Extension (see drawing)
- Optional Removable Access Panel available
- Optional 26-1/4" and 37-1/2" height Chimney Extensions available

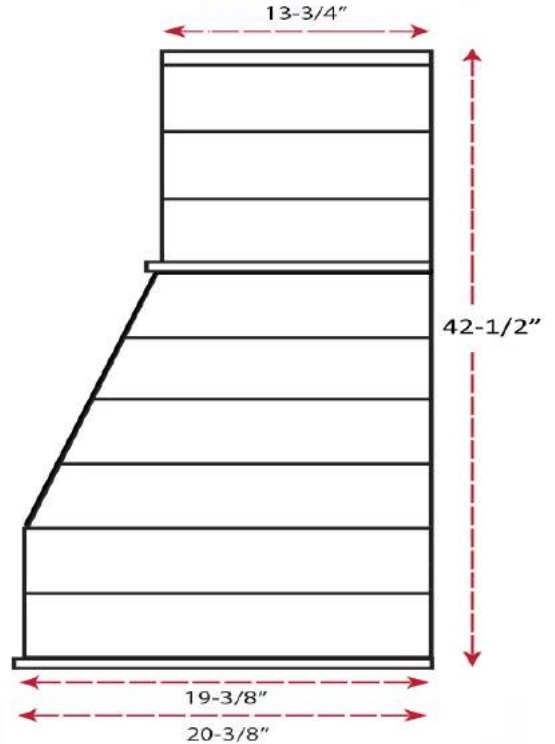


# Rustic XL Shiplap Chimney Hood

Front View



Side View



Item #	Dimensions (h) x (w) x (d)	Liner	Liner
SY-WCSXLR-30	42-1/2" X 31" X 20-3/8"	SY-HLB-30	SY-HLZ-30
SY-WCSXLR-36	42-1/2" X 37" X 20-3/8"	SY-HLB-36	SY-HLZ-36
SY-WCSXLR-42	42-1/2" X 43" X 20-3/8"	SY-HLB-42	SY-HLZ-42
SY-WCSXLR-48	42-1/2" X 49" X 20-3/8"	SY-HLB-48	SY-HLZ-48

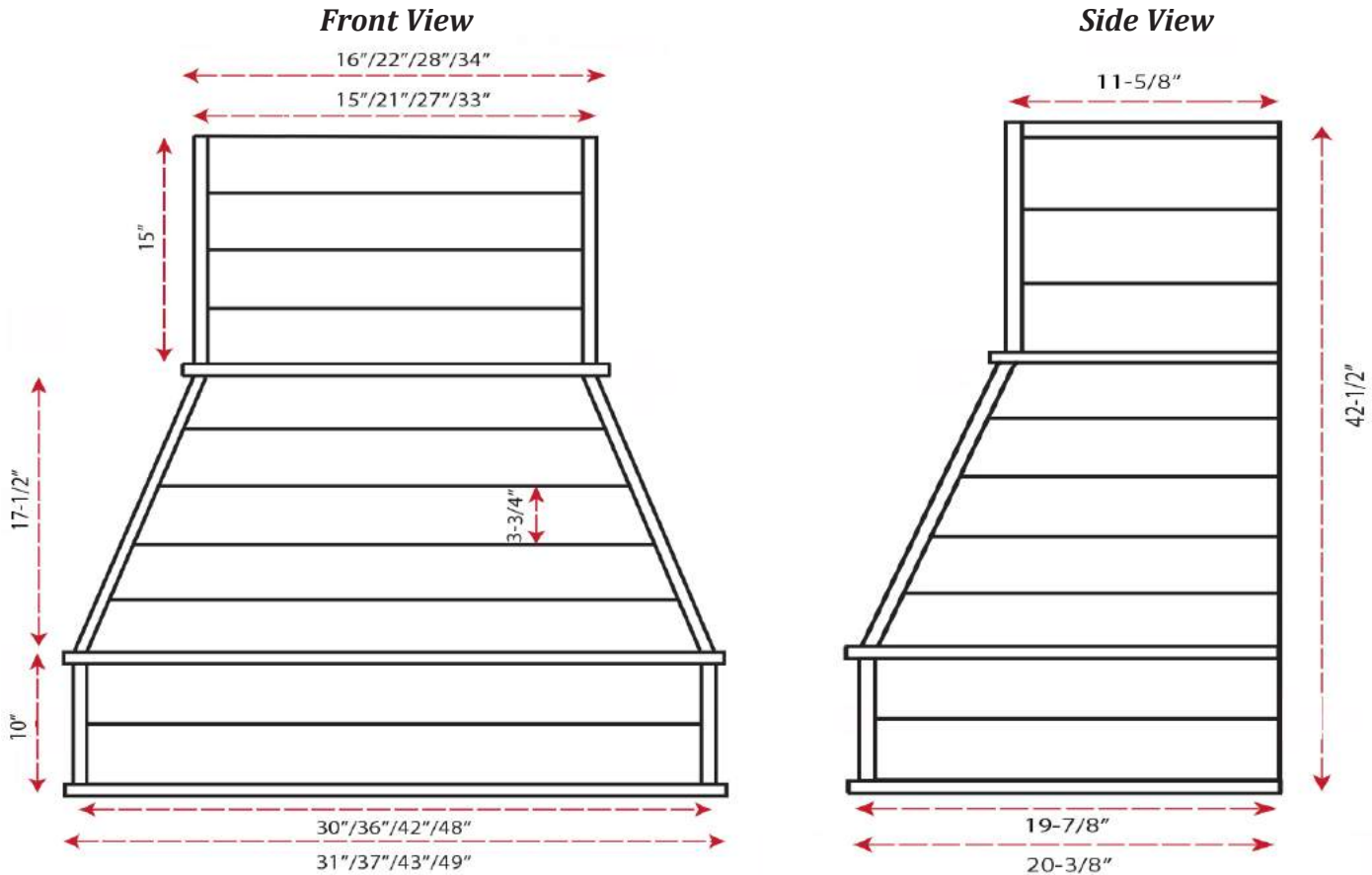


- Constructed with Weathered Spruce planks (*Rough Grain*)
- Pre-Finished with Sherwin Williams stain (Black, Brown, Dark Grey, Light Grey, White, Whitewash)
- 1/2" Rear Plywood Stretchers for wall mounting
- Accepts SY-HLB series Powder Coated or Stainless Steel Liners (*sold separately*)
- Select from 300, 400 and 600 CFM Broan Ventilation power packs (*sold separately*) or
- *Ascension 350SL, 350SS, 500SS and 620SS CFM Ventilation power packs (sold separately)*
- *30" and 36" models accept Ascension 900 CFM Professional Ventilators (requires HLZ series Liners)*
- *42" and 48" models accept Ascension 1200 CFM Professional Ventilators (requires HLZ series Liners)*
- Includes standard Chimney Extension (*see drawing*)
- *Optional Removable Access Panel available*
- *Optional 26-1/4" and 37-1/2" height Chimney Extensions available*

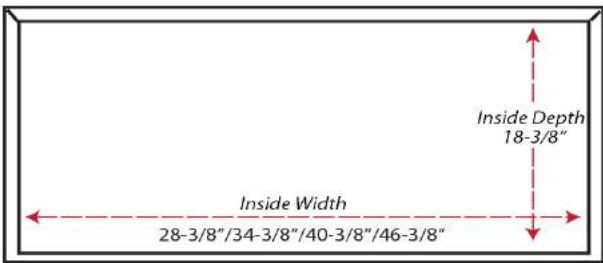




# Shiplap XL Chimney Range Hood



Item #	Dimensions (h) x (w) x (d)	Liner	Liner
SY-WCSLXXL-30	42-1/2" X 31" X 20-3/8"	SY-HLB-30	SY-HLZ-30
SY-WCSLXXL-36	42-1/2" X 37" X 20-3/8"	SY-HLB-36	SY-HLZ-36
SY-WCSLXXL-42	42-1/2" X 43" X 20-3/8"	SY-HLB-42	SY-HLZ-42
SY-WCSLXXL-48	42-1/2" X 49" X 20-3/8"	SY-HLB-48	SY-HLZ-48

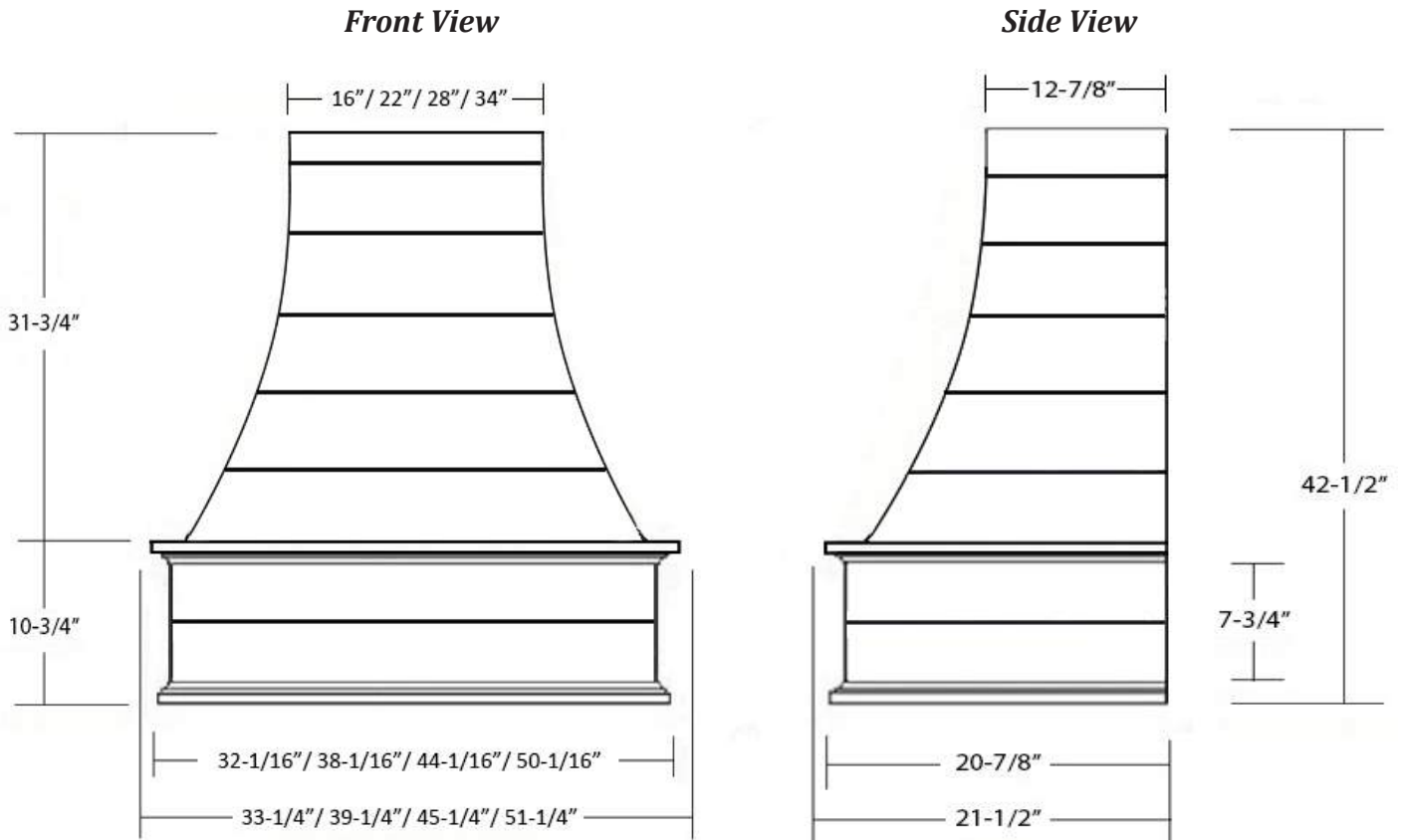


- Solid Hardwood Lumber Construction
- 1/2" Rear Plywood Stretchers for wall mounting
- Accepts SY-HLB series Powder Coated or Stainless Steel Liners (*sold separately*)
- Select from 300, 400 and 600 CFM Broan Ventilation power packs (*sold separately*) or
- Ascension 350SL, 350SS, 500SS and 620SS CFM Ventilation power packs (*sold separately*)
- 30" and 36" models accept Ascension 900 CFM Professional Ventilators (*requires HLZ series Liners*)
- 42" and 48" models accept Ascension 1200 CFM Professional Ventilators (*requires HLZ series Liners*)
- Available in Alder, Cherry, Hickory, Maple, Red Oak, and White Oak
- Includes standard Chimney Extension (*see drawing*)
- *Optional Removable Access Panel available*
- *Optional 26-1/4" and 37-1/2" height Chimney Extensions available*

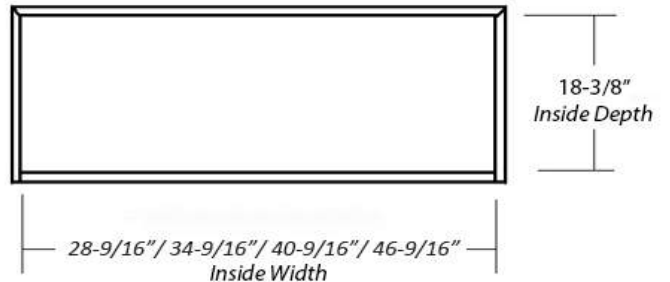




# Shiplap Epicurean Chimney Hood



Item #	Dimensions (h) x (w) x (d)	Liner	Liner
SY-WCVHSL-36	42-1/2" x 39-1/4" x 21-1/2"	SY-HLB-36	SY-HLZ-36
SY-WCVHSL-42	42-1/2" x 45-1/4" x 21-1/2"	SY-HLB-42	SY-HLZ-42
SY-WCVHSL-48	42-1/2" x 51-1/4" x 21-1/2"	SY-HLB-48	SY-HLZ-48



- Solid Hardwood Lumber Construction
- 1/2" Rear Plywood Stretchers for wall mounting
- Accepts SY-HLB series Powder Coated or Stainless Steel Liners (*sold separately*)
- Select from 300, 400 and 600 CFM Broan Ventilation power packs (*sold separately*) or
- Ascension 350SL, 350SS, 500SS and 620SS CFM Ventilation power packs (*sold separately*) or
- 36" models accept Ascension 900 CFM Professional Ventilators (*requires HLZ series Liners*)
- 42" and 48" models accept Ascension 1200 CFM Professional Ventilators (*requires HLZ series Liners*)
- Available in Alder, Cherry, Hickory, Maple, Red Oak and White Oak
- A Pre-Finished Rustic version (SY-WCVHSLR) is now available in Brown and Whitewash
- Optional 14", 24" and 36" height Chimney Extensions available (*requires trim kit*)

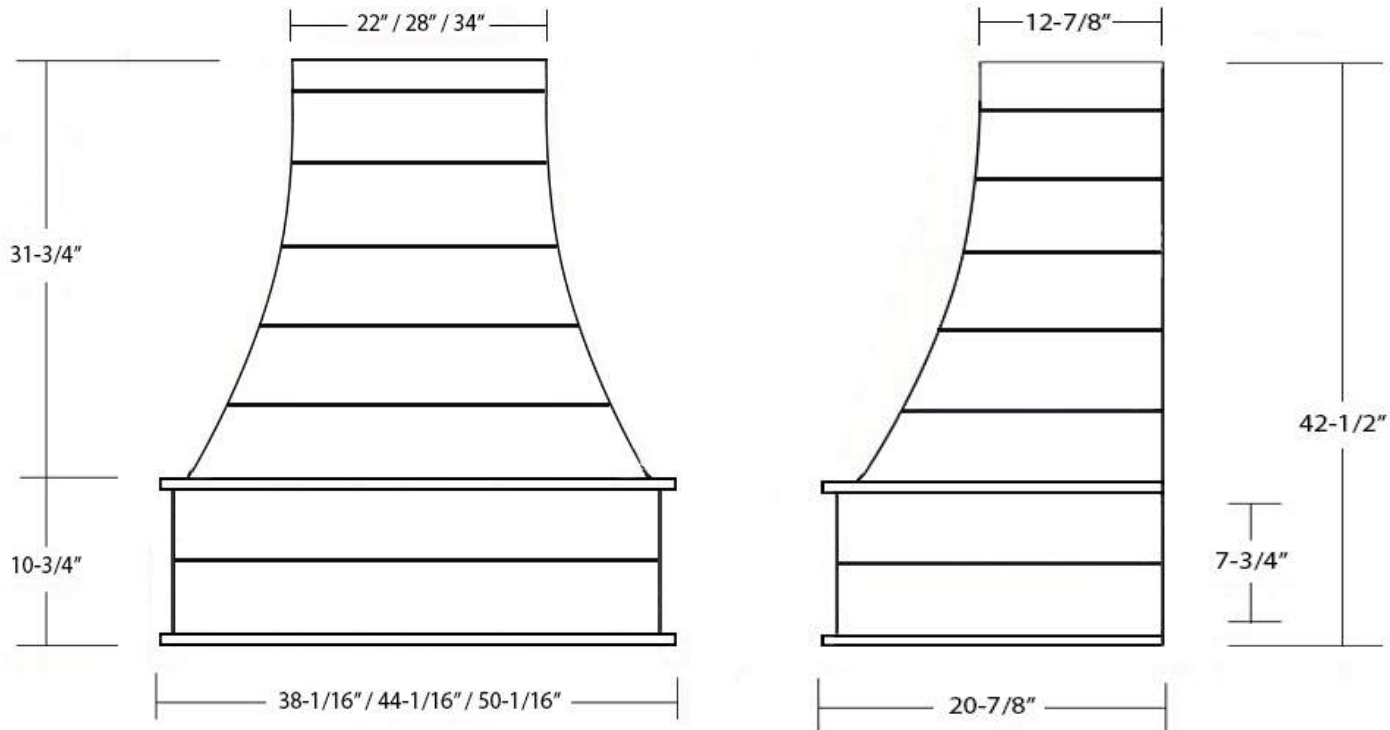


# Rustic Shiplap Epicurean Chimney Hood

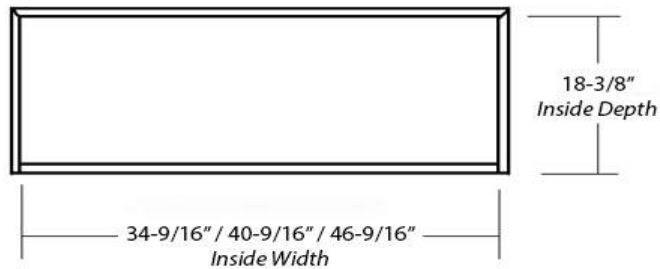


**Front View**

**Side View**



Item #	Dimensions (h) x (w) x (d)	Liner	Liner
SY-WCVHSLR-36	42-1/2" X 38-1/16" X 20-7/8"	SY-HLB-36	SY-HLZ-36
SY-WCVHSLR-42	42-1/2" X 44-1/16" X 20-7/8"	SY-HLB-42	SY-HLZ-42
SY-WCVHSLR-48	42-1/2" X 50-1/16" X 20-7/8"	SY-HLB-48	SY-HLZ-48



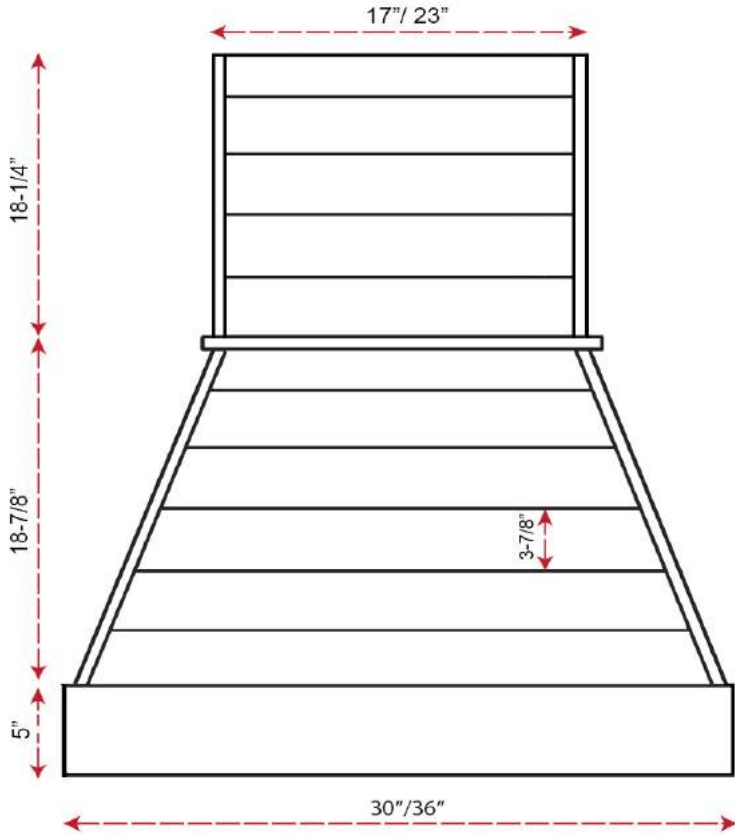
- Constructed with Weathered Spruce planks (*Rough Grain*)
- Pre-Finished with Sherwin Williams stain (Black, Brown, Dark Grey, Light Grey, White, Whitewash)
- 1/2" Rear Plywood Stretchers for wall mounting
- Accepts SY-HLB series Powder Coated or Stainless Steel Liners (*sold separately*)
- Select from 300, 400 and 600 CFM Broan Ventilation power packs (*sold separately*) or
- *Ascension 350SL, 350SS, 500SS and 620SS CFM Ventilation power packs (sold separately)*
- 36" models accept *Ascension 900 CFM Professional Ventilators (requires HLZ series Liners)*
- 42" and 48" models accept *Ascension 1200 CFM Professional Ventilators (requires HLZ series Liners)*
- *Optional Removable Access Panel available*
- *Optional 14", 24", and 36" Chimney Extensions available*



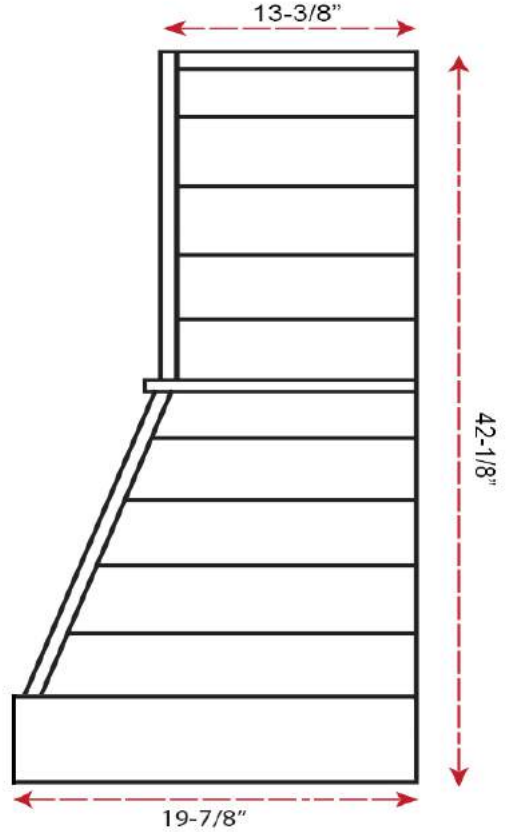


# Paint Grade Shiplap Range Hood

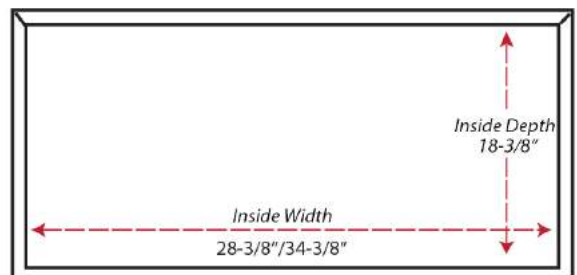
**Front View**



**Side View**



Item #	Dimensions (h) x (w) x (d)	Liner
SY-WCSLIM-30	42-1/8" X 30" X 19-7/8"	SY-HLB-30
SY-WCSLIM-36	42-1/8" X 36" X 19-7/8"	SY-HLB-36



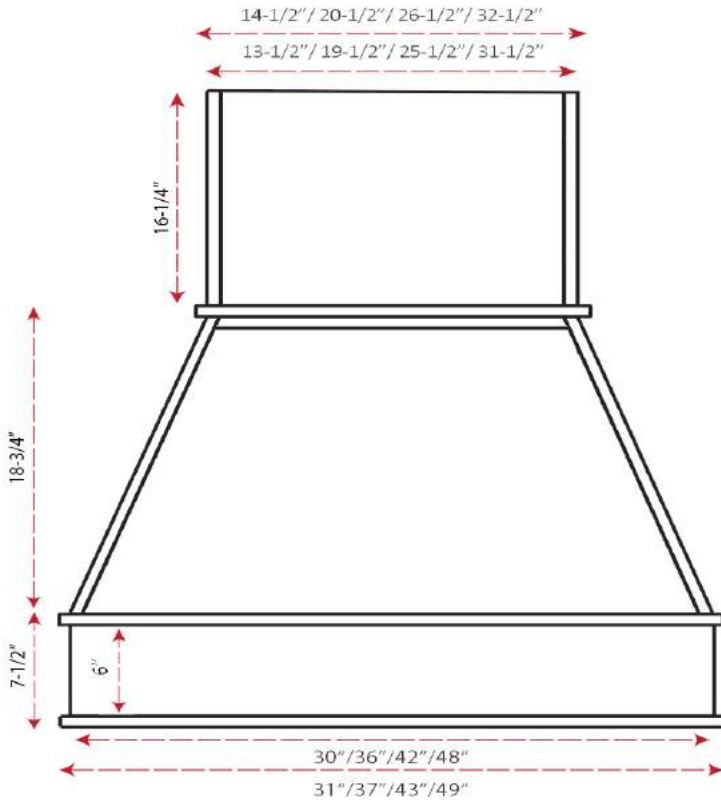
- Poplar Lumber and MDF Construction
- Primed for Painting
- 1/2" Rear Plywood Stretchers for wall mounting
- Accepts SY-HLB series Powder Coated or Stainless Steel Liners (sold separately)
- Select from 300, 400 and 600 CFM Broan Ventilation power packs (sold separately) or
- Ascension 350SL, 350SS, and 500SS CFM Ventilation power packs (sold separately)
- Ascension 620SS Ventilation power pack (36" and greater models only)



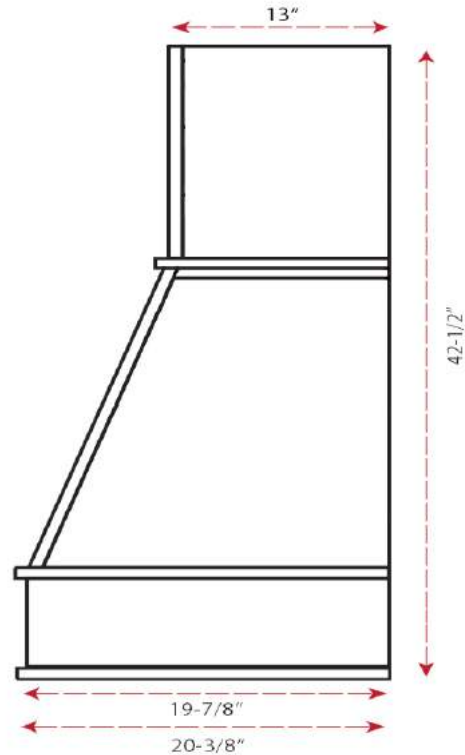
# Transitional Chimney Range Hood



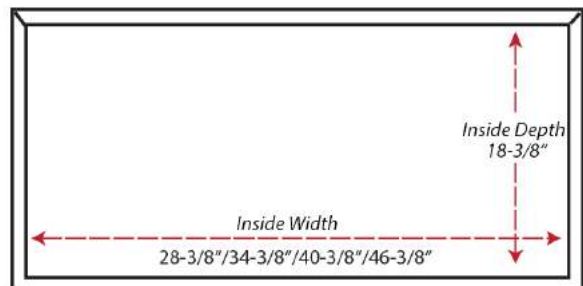
**Front View**



**Side View**



Item #	Dimensions (h) x (w) x (d)	Liner
SY-WCNOSL-30	42-1/2" X 31" X 20-3/8"	SY-HLB-30
SY-WCNOSL-36	42-1/2" X 37" X 20-3/8"	SY-HLB-36
SY-WCNOSL-42	42-1/2" X 43" X 20-3/8"	SY-HLB-42
SY-WCNOSL-48	42-1/2" X 49" X 20-3/8"	SY-HLB-48

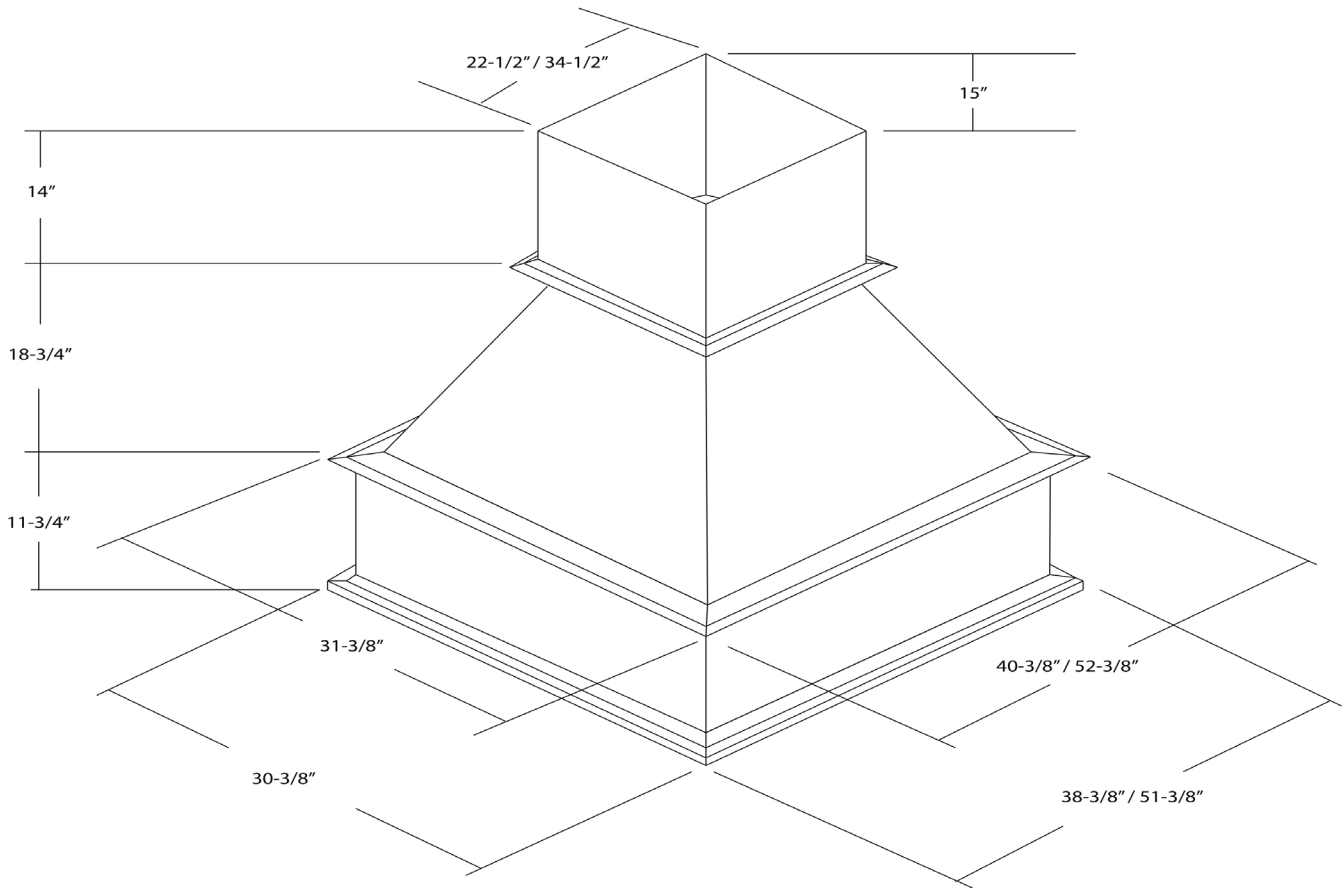


- Solid Hardwood Lumber and Plywood Construction
- 1/2" Rear Plywood Stretchers for wall mounting
- Accepts SY-HLB series Powder Coated or Stainless Steel Liners *(sold separately)*
- Select from 300, 400 and 600 CFM Broan Ventilation power packs *(sold separately)* or
- Ascension 350SL, 350SS, and 500SS CFM Ventilation power packs *(sold separately)*
- Ascension 620SS Ventilation power pack *(36" and greater models only)*
- Available in Alder, Cherry, Hickory, Maple, Red Oak, and White Oak
- Includes standard Chimney Extension *(see drawing)*
- Detachable Upper Access Panel is standard
- Optional 26-1/4" and 37-1/2" height Chimney Extensions available

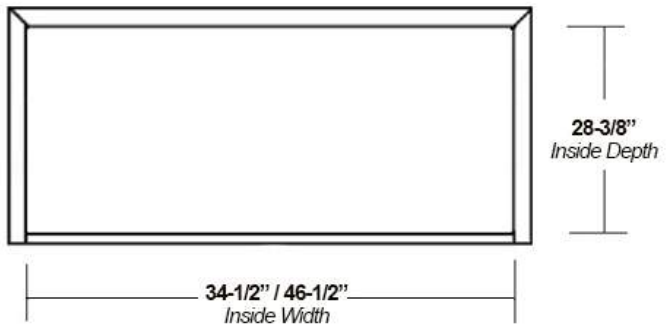




# Chimney Style Island Range Hood



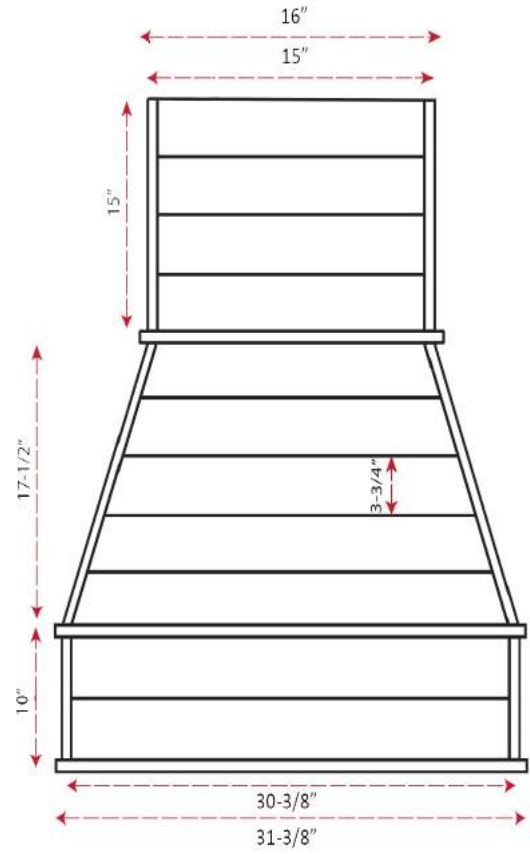
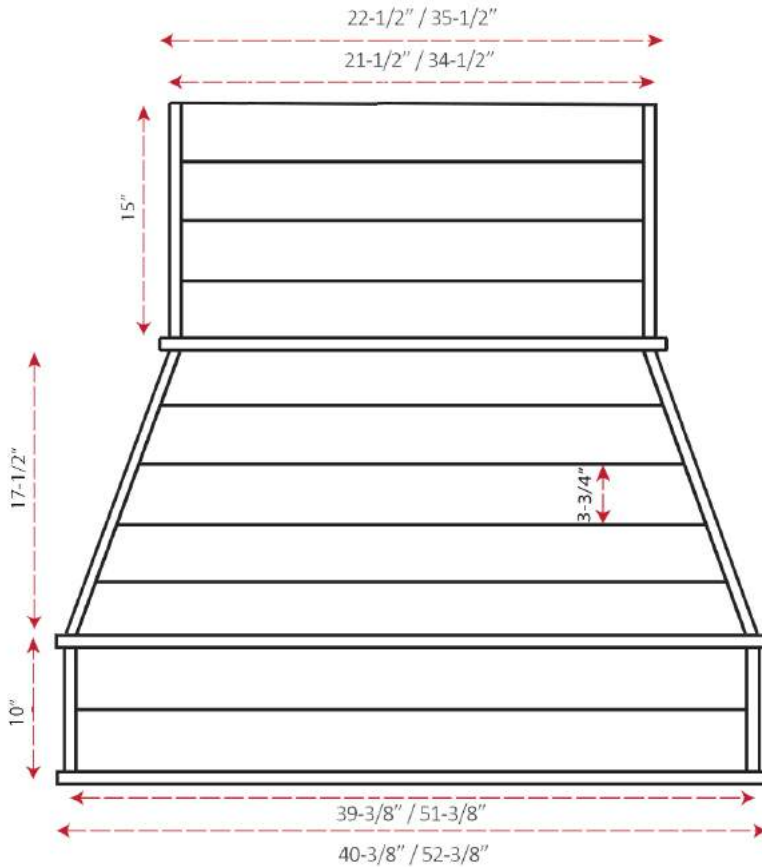
Item #	Dimensions (h) x (w) x (d)	Liner	Liner
SY-WICH-36	42-1/2" x 40-3/8" x 31-3/8"	SY-HLB-36	SY-HLZ-36
SY-WICH-48	42-1/2" x 52-3/8" x 31-3/8"	SY-HLB-48	SY-HLZ-48



- Hardwood Plywood and Solid Lumber Construction
- Accepts SY-HLB series Powder Coated or Steel Liners (*sold separately*)
- Select from 400, or 600 CFM Broan Ventilation power packs (*sold separately*) or
- Ascension 350SL, 350SS, 500SS and 620SS CFM Ventilation power packs (*sold separately*)
- 36" models accept Ascension 900 CFM Professional Ventilators (*requires HLZ series Liners*)
- 48" models accept Ascension 1200 CFM Professional Ventilators (*requires HLZ series Liners*)
- If HLB or HLZ liners will be used, interior of hood must be blocked up (*specify when ordering*)
- Available in Alder, Cherry, Hickory, Maple, Red Oak, and White Oak
- Includes standard 14" height Chimney Extension
- Base section will accommodate Ornaments in sizes up to 6" x 24"

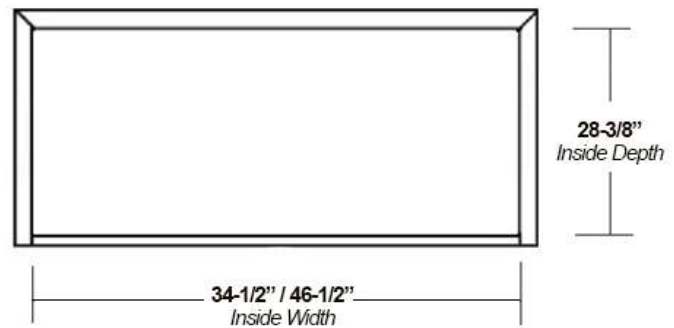


# Shiplap Island Chimney Range Hood



SIDE VIEW

Item #	Dimensions (h) x (w) x (d)	Liner	Liner
SY-WICSLXL-36	42-1/2" x 40-3/8" x 31-3/8"	SY-HLB-36	SY-HLZ-36
SY-WICSLXL-48	42-1/2" x 52-3/8" x 31-3/8"	SY-HLB-48	SY-HLZ-48

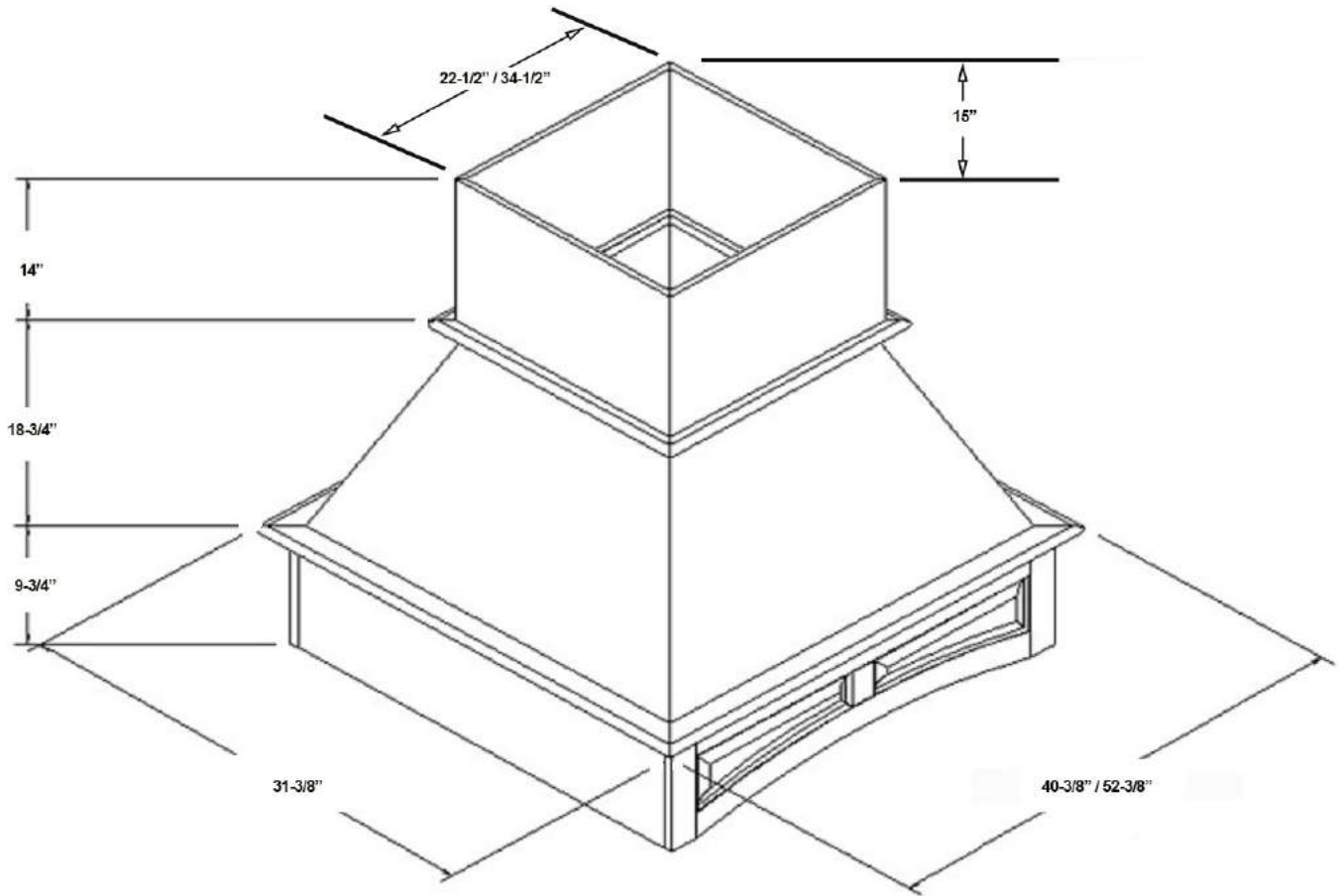


- Solid Hardwood Lumber Construction
- Accepts SY-HLB series Powder Coated or Steel Liners (sold separately)
- Select from 400, or 600 CFM Broan Ventilation power packs (sold separately) or
- Ascension 350SL, 350SS, 500SS and 620SS CFM Ventilation power packs (sold separately)
- 36" models accept Ascension 900 CFM Professional Ventilators (requires HLZ series Liners)
- 48" models accept Ascension 1200 CFM Professional Ventilators (requires HLZ series Liners)
- If HLB or HLZ liners will be used, interior of hood must be blocked up (specify when ordering)
- Available in Alder, Cherry, Hickory, Maple, Red Oak, and White Oak
- Detachable Front Panel for easy access
- Includes standard 14" height Chimney Extension

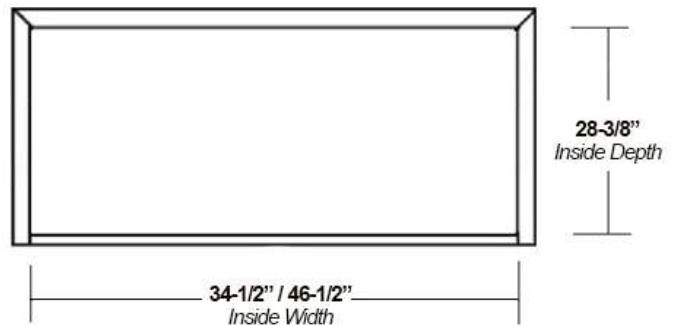




# Arched Valance Island Range Hood



Item #	Dimensions (h) x (w) x (d)	Liner	Liner
SY-WICHAP-36	42-1/2" x 40-3/8" x 31-3/8"	SY-HLB-36	SY-HLZ-36
SY-WICHAP-48	42-1/2" x 52-3/8" x 31-3/8"	SY-HLB-48	SY-HLZ-48

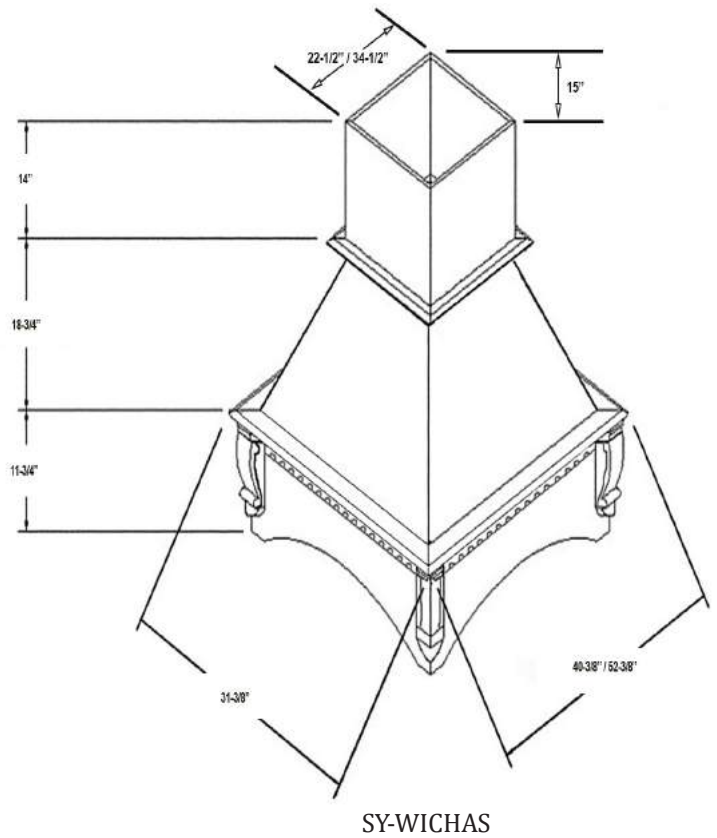
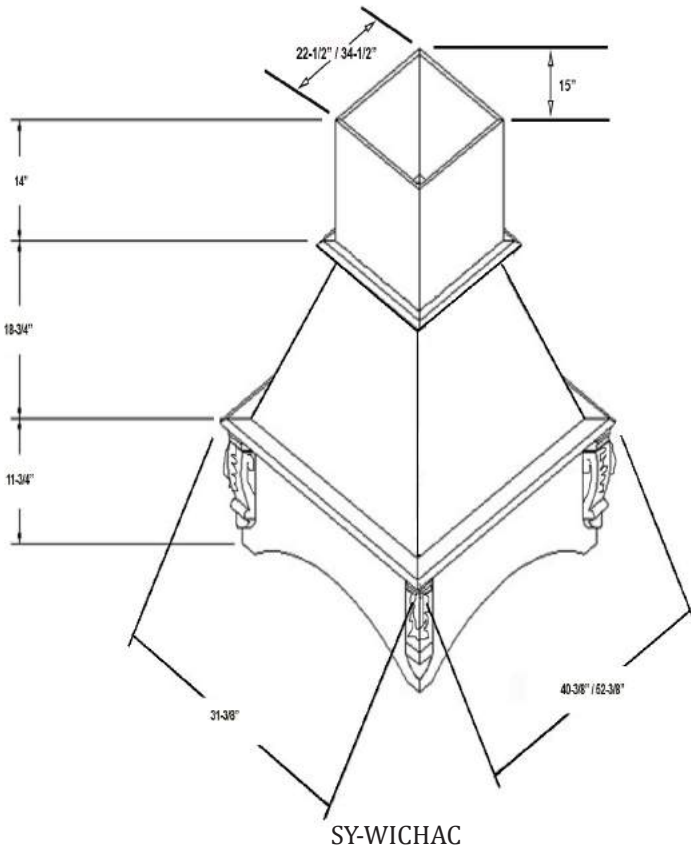


- Hardwood Plywood and Solid Lumber Construction
- Accepts SY-HLB series Powder Coated or Stainless Steel Liners (*sold separately*)
- Select from 400, or 600 CFM Broan Ventilation power packs (*sold separately*) or
- Ascension 350SL, 350SS, 500SS and 620SS CFM Ventilation power packs (*sold separately*)
- 36" models accept Ascension 900 CFM Professional Ventilators (*requires HLZ series Liners*)
- 48" models accept Ascension 1200 CFM Professional Ventilators (*requires HLZ series Liners*)
- If HLB or HLZ liners will be used, interior of hood must be blocked up (*specify when ordering*)
- Available in Cherry, Maple and Red Oak
- Includes standard 14" height Chimney Extension



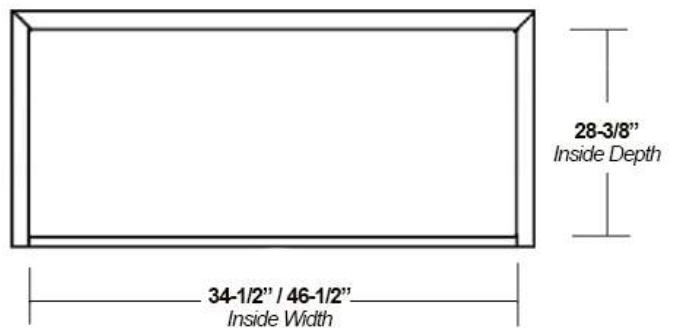


# Arched Corbel Island Range Hoods



Item #	Dimensions (h) x (w) x (d)	Liner	Liner
SY-WICHAC-36	42-1/2" x 40-3/8" x 31-3/8"	SY-HLB-36	SY-HLZ-36
SY-WICHAC-48	42-1/2" x 52-3/8" x 31-3/8"	SY-HLB-48	SY-HLZ-48

Item #	Dimensions (h) x (w) x (d)	Liner	Liner
SY-WICHAS-36	42-1/2" x 40-3/8" x 31-3/8"	SY-HLB-36	SY-HLZ-36
SY-WICHAS-48	42-1/2" x 52-3/8" x 31-3/8"	SY-HLB-48	SY-HLZ-48



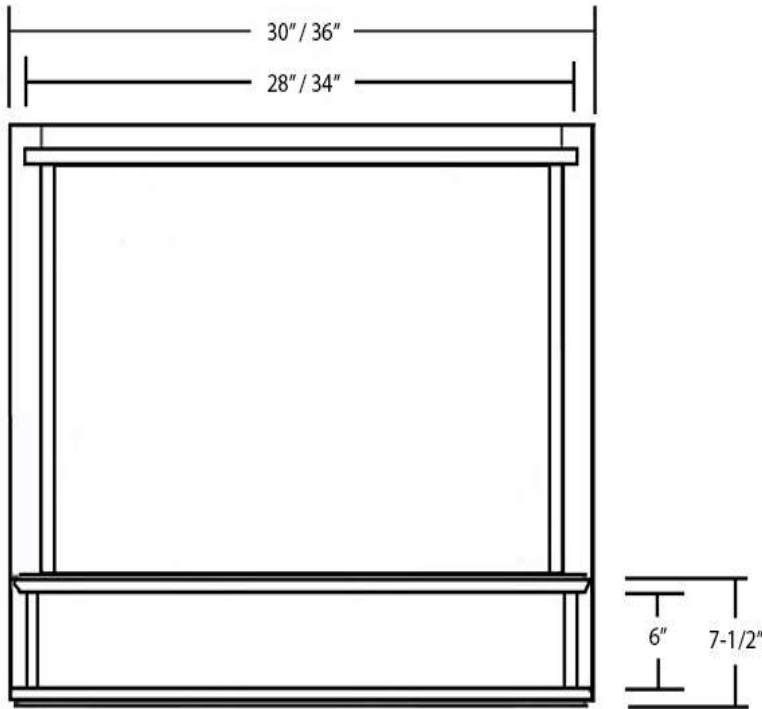
- Hardwood Plywood and Solid Lumber Construction
- Accepts SY-HLB series Powder Coated or Stainless Steel Liners (sold separately)
- Select from 400, or 600 CFM Broan Ventilation power packs (sold separately) or
- Ascension 350SL, 350SS, 500SS and 620SS CFM Ventilation power packs (sold separately)
- 36" models accept Ascension 900 CFM Professional Ventilators (requires HLZ series Liners)
- 48" models accept Ascension 1200 CFM Professional Ventilators (requires HLZ series Liners)
- If HLB or HLZ liners will be used, interior of hood must be blocked up (specify when ordering)
- Available in Cherry, Maple and Red Oak
- Includes standard 14" height Chimney Extension



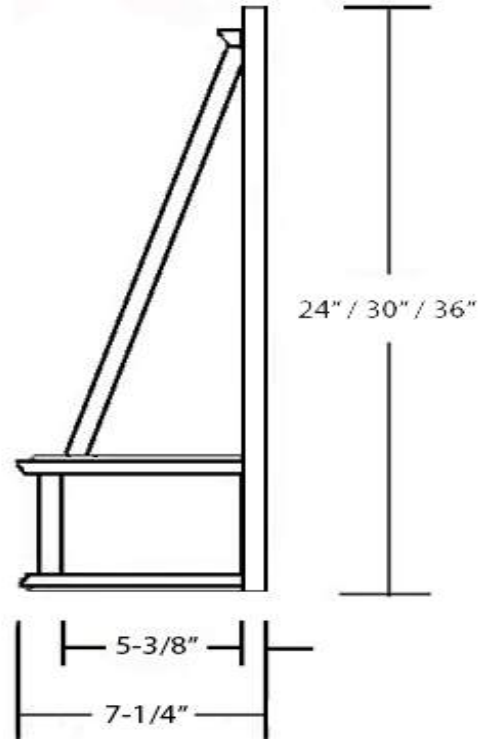


# Shaker Style Range Hood Front

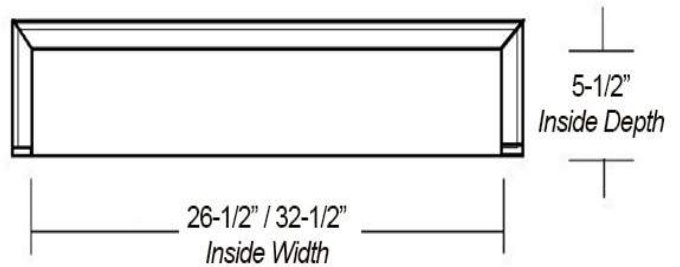
Front View



Side View



Item #	Dimensions (h) x (w) x (d)	Liner
SY-JSKHF3024	24" x 30" x 7-1/4"	SY-HLT-30
SY-JSKHF3030	30" x 30" x 7-1/4"	SY-HLT-30
SY-JSKHF3036	36" x 30" x 7-1/4"	SY-HLT-30
SY-JSKHF3624	24" x 36" x 7-1/4"	SY-HLT-36
SY-JSKHF3630	30" x 36" x 7-1/4"	SY-HLT-36
SY-JSKHF3636	36" x 36" x 7-1/4"	SY-HLT-36



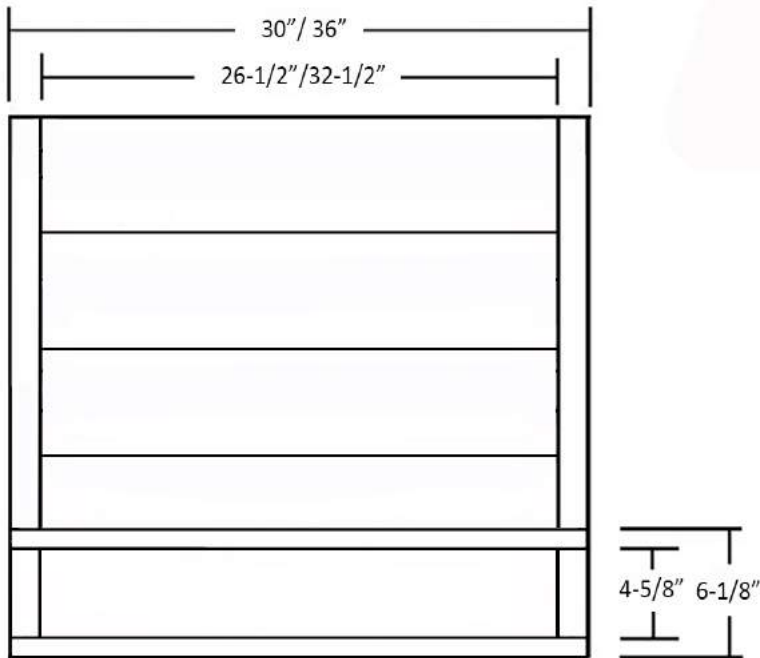
- Hardwood Plywood and Solid Lumber Construction
- Accepts SY-HLT series T-shape Powder Coated Steel Liners (sold separately)
- Select from 300, 400 and 600 CFM Broan Ventilation power packs (sold separately) or
- Ascension 350SL, 350SS, 500SS and 620SS CFM Ventilation power packs (sold separately)
- Available in Alder, Cherry, Hickory, Maple, Red Oak, White Oak and Paintgrade (primed)
- Must be mounted between two wall cabinets
- Base section will accommodate Ornaments up to 5" x 24"



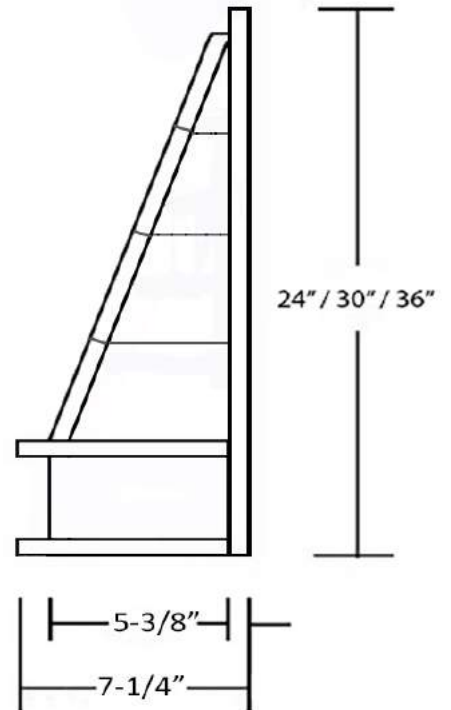
# Rustic Shiplap Range Hood Front



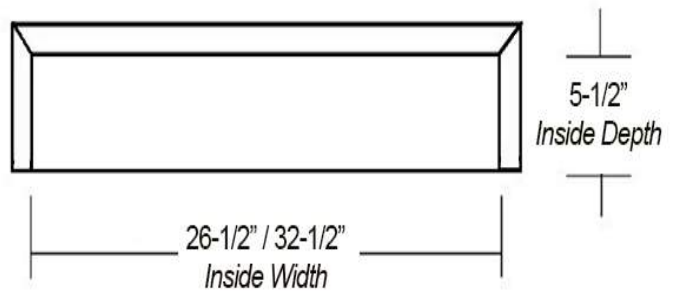
Front View



Side View



Item #	Dimensions (h) x (w) x (d)	Liner
SY-JSLRHF-3024	24" X 30" X 7-1/4"	SY-HLT-30
SY-JSLRHF-3030	30" X 30" X 7-1/4"	SY-HLT-30
SY-JSLRHF-3036	36" X 30" X 7-1/4"	SY-HLT-30
SY-JSLRHF-3624	24" X 36" X 7-1/4"	SY-HLT-36
SY-JSLRHF-3630	30" X 36" X 7-1/4"	SY-HLT-36
SY-JSLRHF-3636	36" X 36" X 7-1/4"	SY-HLT-36

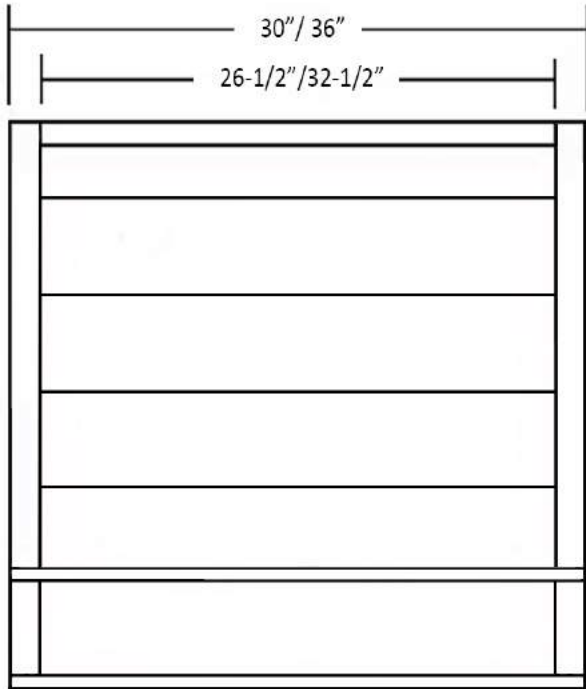


- Constructed with Distressed Spruce planks (Rough Grain)
- Pre-Finished with Sherwin Williams stain (Black, Brown, Dark Gray, Light Gray, White, Whitewash)
- Accepts SY-HLT series T-shape Powder Coated Steel Liners (sold separately)
- Select from 300, 400 and 600 CFM Broan Ventilation power packs (sold separately) or
- Ascension 350SL, 350SS, 500SS and 620SS CFM Ventilation power packs (sold separately)
- Optional Detachable front panel for easy access
- Must be mounted between two wall cabinets

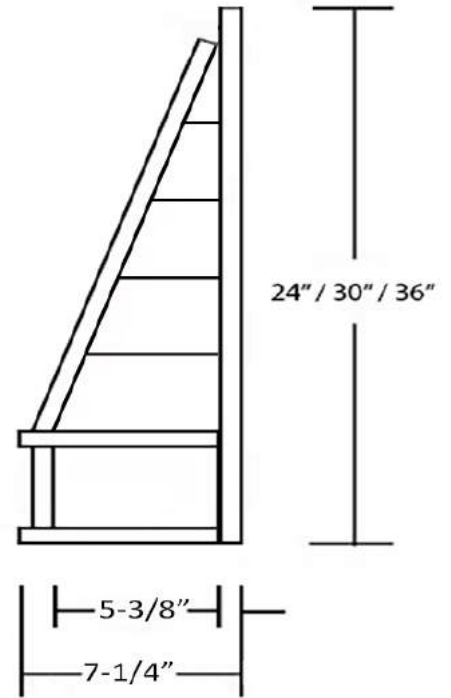


# Shi lap Range Hood Front

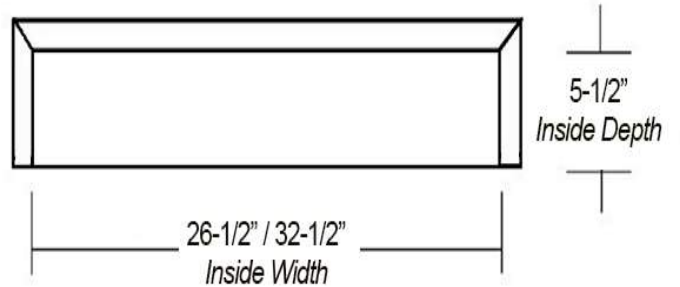
Front View



Side View



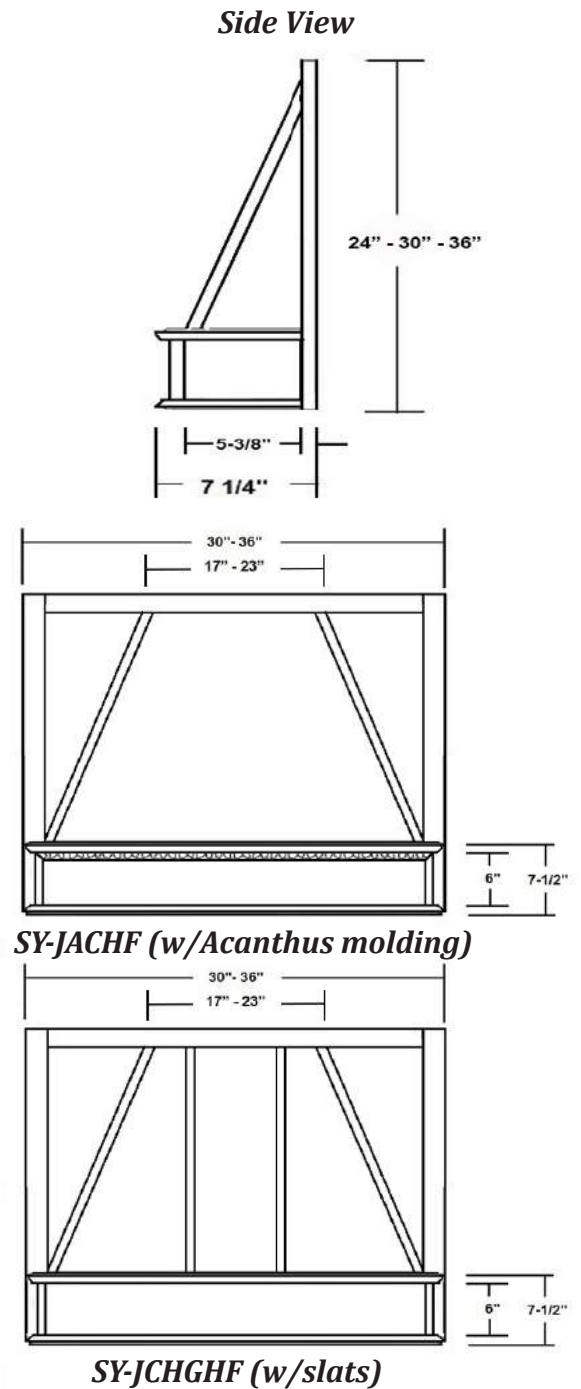
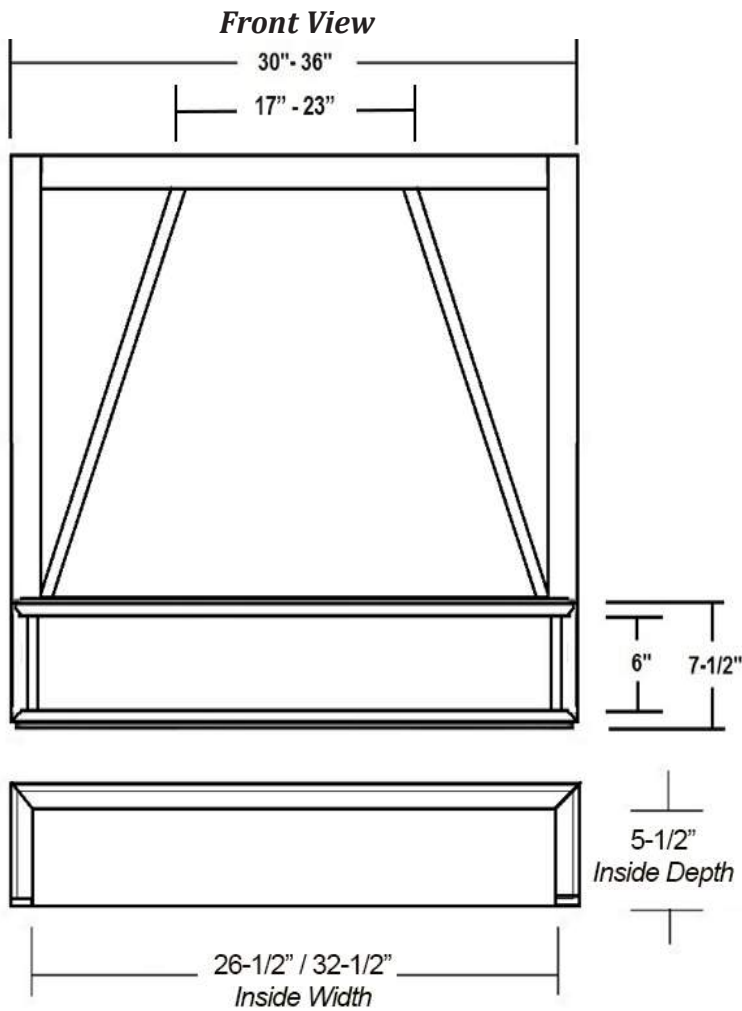
Item #	Dimensions (h) x (w) x (d)	Liner
SY-JSLHF-3024-D	24" X 30" X 7-1/4"	SY-HLT-30
SY-JSLHF-3030-D	30" X 30" X 7-1/4"	SY-HLT-30
SY-JSLHF-3036-D	36" X 30" X 7-1/4"	SY-HLT-30
SY-JSLHF-3624-D	24" X 36" X 7-1/4"	SY-HLT-36
SY-JSLHF-3630-D	30" X 36" X 7-1/4"	SY-HLT-36
SY-JSLHF-3636-D	36" X 36" X 7-1/4"	SY-HLT-36



- Hardwood Plywood and Solid Lumber Construction
- Accepts SY-HLT series T-shape Powder Coated Steel Liners (sold separately)
- Select from 300, 400 and 600 CFM Broan Ventilation power packs (sold separately) or Ascension 350SL, 350SS, 500SS and 620SS CFM Ventilation power packs (sold separately)
- Available in Alder, Cherry, Hickory, Maple, Red Oak, and White Oak
- Detachable front panel for easy access
- Must be mounted between two wall cabinets



# Chimney Style Range Hood Front



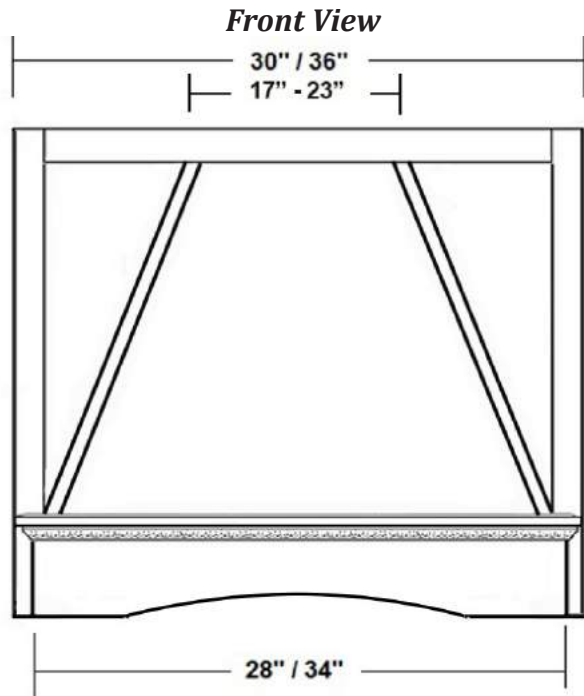
Item #	Dimensions (h) x (w) x (d)	Liner
SY-JCHF3024	24" x 30" x 7-1/4"	SY-HLT-30
SY-JCHF3030	30" x 30" x 7-1/4"	SY-HLT-30
SY-JCHF3036	36" x 30" x 7-1/4"	SY-HLT-30
SY-JCHF3624	24" x 36" x 7-1/4"	SY-HLT-36
SY-JCHF3630	30" x 36" x 7-1/4"	SY-HLT-36
SY-JCHF3636	36" x 36" x 7-1/4"	SY-HLT-36

- Hardwood Plywood and Solid Lumber Construction
- Accepts SY-HLT series T-shape Powder Coated Steel Liners (sold separately)
- Select from 300, 400 and 600 CFM Broan Ventilation power packs (sold separately) or
- Ascension 350SL, 350SS, 500SS and 620SS CFM Ventilation power packs (sold separately)
- Available in Alder, Cherry, Hickory, Maple, Red Oak and Paintgrade (primed)
- Must be mounted between two wall cabinets
- Optional Acanthus molding available (SY-JACHF)
- Optional vertical molding strip package available (SY-JCHGHF)

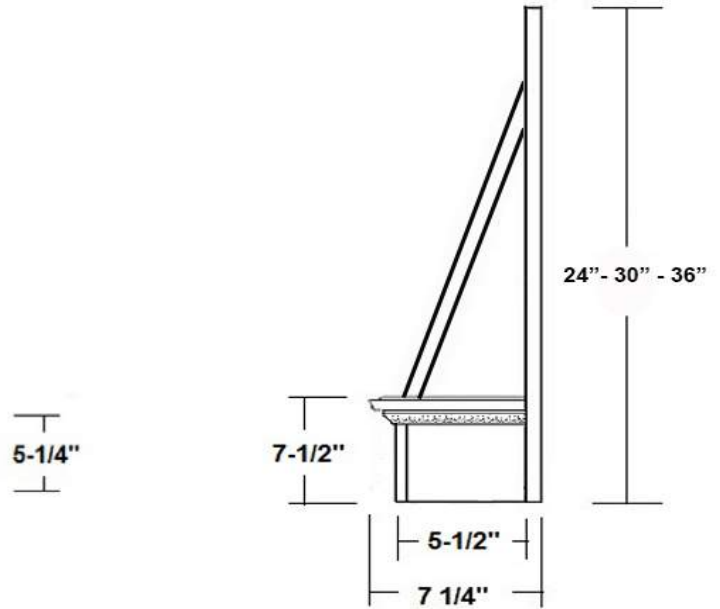




# Applied Molding Chimney Hood Front



Side View



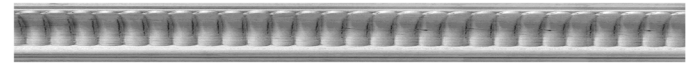
Item #	Dimensions (h) x (w) x (d)	Liner
SY-JCHFA3024	24" x 30" x 7-1/4"	SY-HLT-30
SY-JCHFA3030	30" x 30" x 7-1/4"	SY-HLT-30
SY-JCHFA3036	36" x 30" x 7-1/4"	SY-HLT-30
SY-JCHFA3624	24" x 36" x 7-1/4"	SY-HLT-36
SY-JCHFA3630	30" x 36" x 7-1/4"	SY-HLT-36
SY-JCHFA3636	36" x 36" x 7-1/4"	SY-HLT-36
SY-JCHFE3024	24" x 30" x 7-1/4"	SY-HLT-30
SY-JCHFE3030	30" x 30" x 7-1/4"	SY-HLT-30
SY-JCHFE3036	36" x 30" x 7-1/4"	SY-HLT-30
SY-JCHFE3624	24" x 36" x 7-1/4"	SY-HLT-36
SY-JCHFE3630	30" x 36" x 7-1/4"	SY-HLT-36
SY-JCHFE3636	36" x 36" x 7-1/4"	SY-HLT-36
SY-JCHFR3024	24" x 30" x 7-1/4"	SY-HLT-30
SY-JCHFR3030	30" x 30" x 7-1/4"	SY-HLT-30
SY-JCHFR3036	36" x 30" x 7-1/4"	SY-HLT-30
SY-JCHFR3624	24" x 36" x 7-1/4"	SY-HLT-36
SY-JCHFR3630	30" x 36" x 7-1/4"	SY-HLT-36
SY-JCHFR3636	36" x 36" x 7-1/4"	SY-HLT-36



Acanthus Molding Detail



Egg & Dart Molding Detail



Reeded Molding Detail



26-1/2" / 32-1/2"

Inside Width

5 1/2"  
Inside Depth

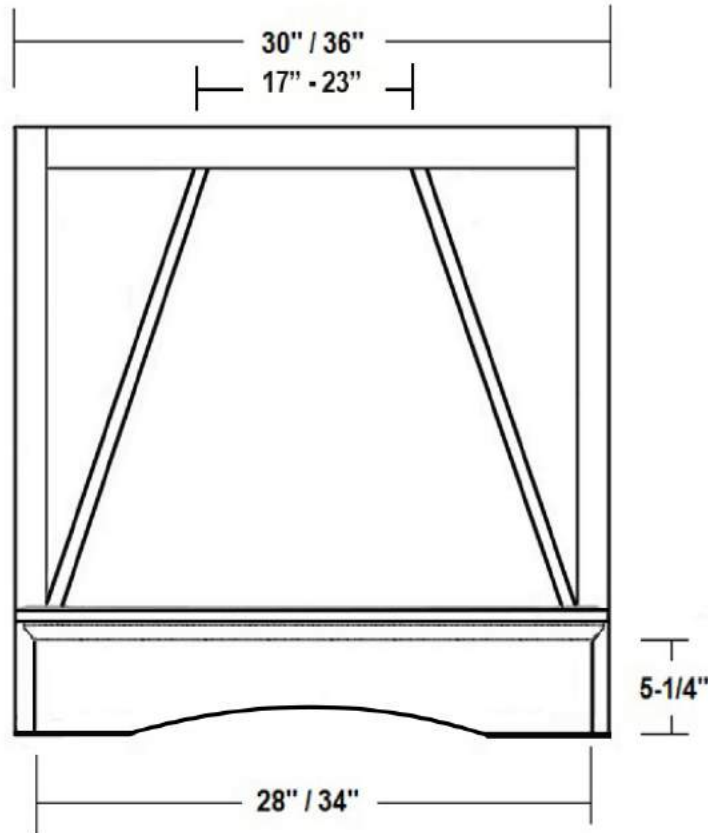
- Hardwood Plywood and Solid Lumber Construction
- Accepts SY-HLT series T-shape Powder Coated Steel Liners (sold separately)
- Select from 300, 400 and 600 CFM Broan Ventilation power packs (sold separately) or Ascension 350SL, 350SS, 500SS and 620SS CFM Ventilation power packs (sold separately)
- Available in Cherry, Maple and Red Oak
- Must be mounted between two wall cabinets
- Choose Acanthus (A), Egg & Dart (E) or Reeded (R) Moldings



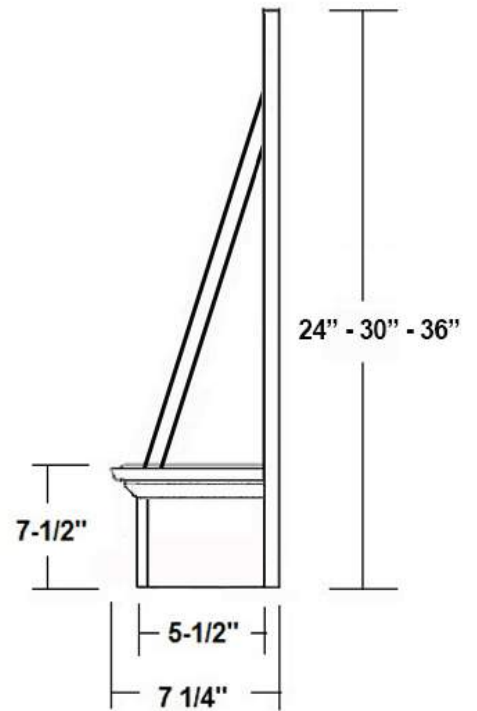
# Arched Plain Chimney Range Hood Front



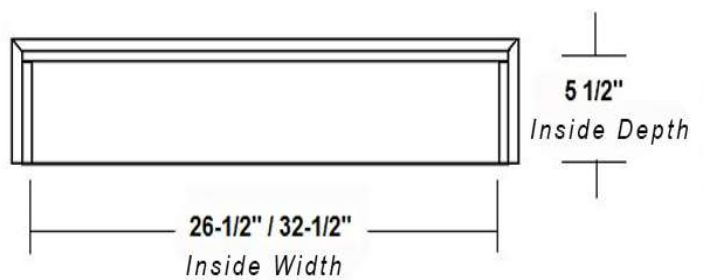
Front View



Side View



Item #	Dimensions (h) x (w) x (d)	Liner
SY-JCHFP3024	24" x 30" x 7-1/4"	SY-HLT-30
SY-JCHFP3030	30" x 30" x 7-1/4"	SY-HLT-30
SY-JCHFP3036	36" x 30" x 7-1/4"	SY-HLT-30
SY-JCHFP3624	24" x 36" x 7-1/4"	SY-HLT-36
SY-JCHFP3630	30" x 36" x 7-1/4"	SY-HLT-36
SY-JCHFP3636	36" x 36" x 7-1/4"	SY-HLT-36



- Hardwood Plywood and Solid Lumber Construction
- Accepts SY-HLT series T-shape Powder Coated Steel Liners (sold separately)
- Select from 300, 400 and 600 CFM Broan Ventilation power packs (sold separately) or Ascension 350SL, 350SS, 500SS and 620SS CFM Ventilation power packs (sold separately)
- Available in Alder, Cherry, Hickory, Maple and Red Oak
- Must be mounted between two wall cabinets

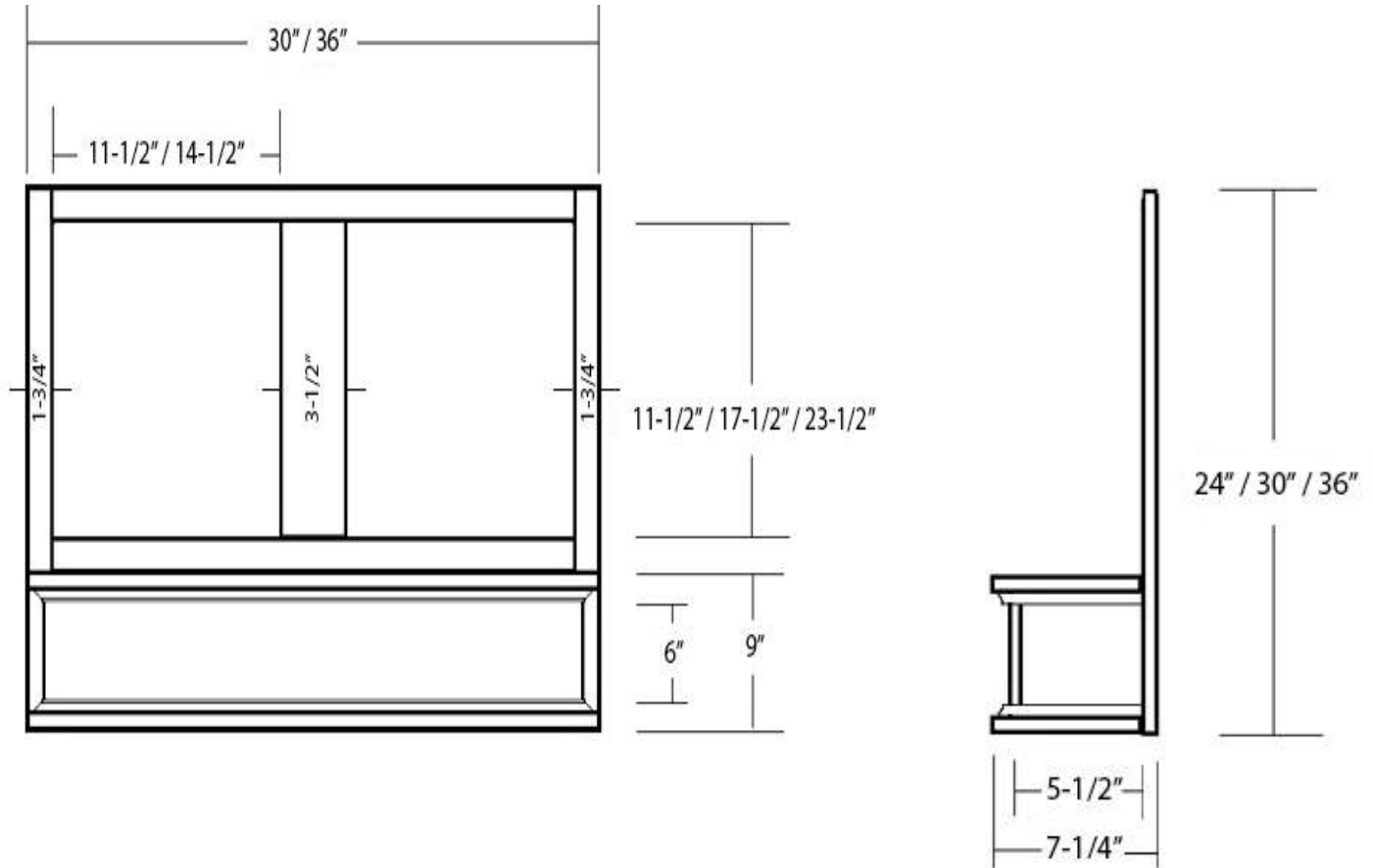




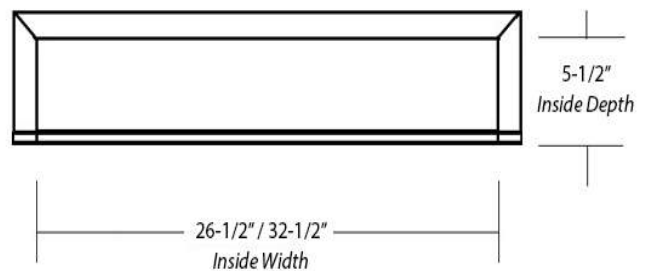
## Mantel Style Range Hood Front

Front View

Side View



Item #	Dimensions (h) x (w) x (d)	Liner
SY-JSVHF3024	24" x 30" x 7-1/4"	SY-HLT-30
SY-JSVHF3030	30" x 30" x 7-1/4"	SY-HLT-30
SY-JSVHF3036	36" x 30" x 7-1/4"	SY-HLT-30
SY-JSVHF3624	24" x 36" x 7-1/4"	SY-HLT-36
SY-JSVHF3630	30" x 36" x 7-1/4"	SY-HLT-36
SY-JSVHF3636	36" x 36" x 7-1/4"	SY-HLT-36

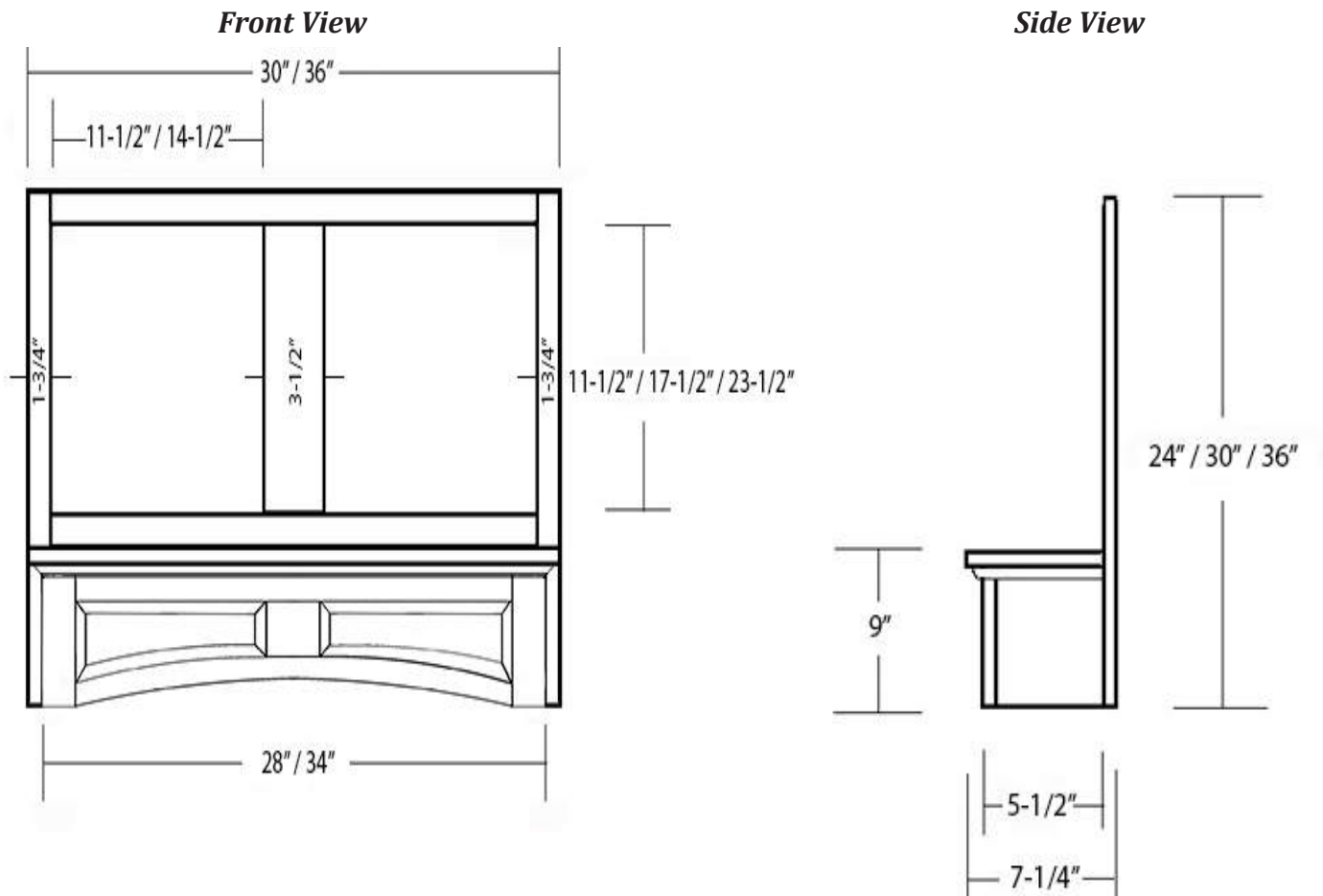


- Hardwood Plywood and Solid Lumber Construction
- Accepts SY-HLT series T-shape Powder Coated Steel Liners (*sold separately*)
- Select from 300, 400 and 600 CFM Broan Ventilation power packs (*sold separately*) or
- *Ascension 350SL, 350SS, 500SS and 620SS CFM Ventilation power packs (sold separately)*
- Available in Alder, Cherry, Hickory, Maple and Red Oak
- Designed to be used with customer supplied cabinet doors
- Must be mounted between two wall cabinets
- Base section will accommodate ornaments up to 5" x 24"

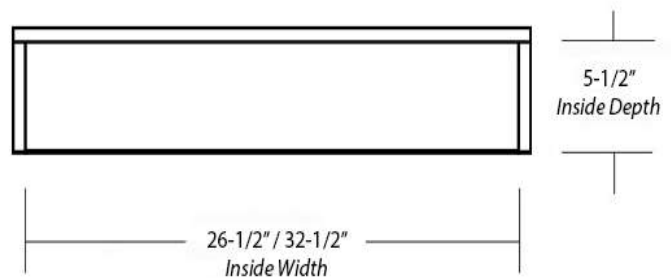




# Arched Valance Mantel Range Hood Front



Item #	Dimensions (h) x (w) x (d)	Liner
SY-JAVHF3024	24" x 30" x 7-1/4"	SY-HLT-30
SY-JAVHF3030	30" x 30" x 7-1/4"	SY-HLT-30
SY-JAVHF3036	36" x 30" x 7-1/4"	SY-HLT-30
SY-JAVHF3624	24" x 36" x 7-1/4"	SY-HLT-36
SY-JAVHF3630	30" x 36" x 7-1/4"	SY-HLT-36
SY-JAVHF3636	36" x 36" x 7-1/4"	SY-HLT-36

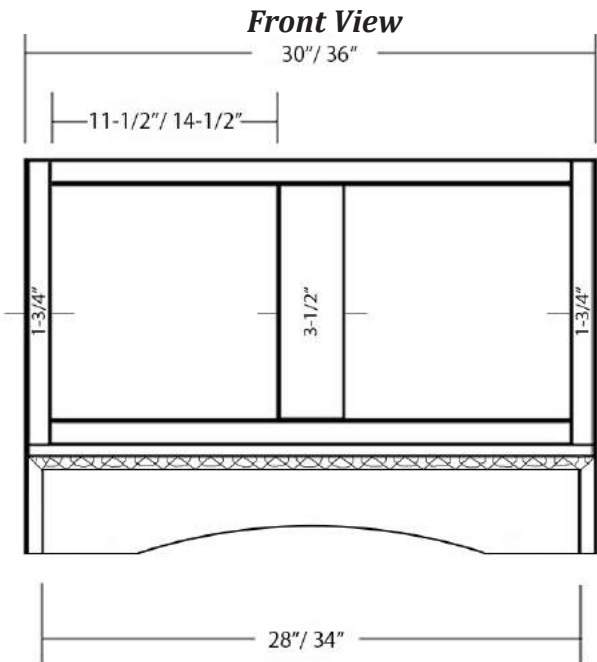


- Solid Hardwood Lumber Construction
- Accepts SY-HLT series T-shape Powder Coated Steel Liners (*sold separately*)
- Select from 300, 400 and 600 CFM Broan Ventilation power packs (*sold separately*) or
- Ascension 350SL, 350SS, 500SS and 620SS CFM Ventilation power packs (*sold separately*)
- Available in Cherry, Maple and Red Oak
- Designed to be used with customer supplied cabinet doors
- Must be mounted between two wall cabinets

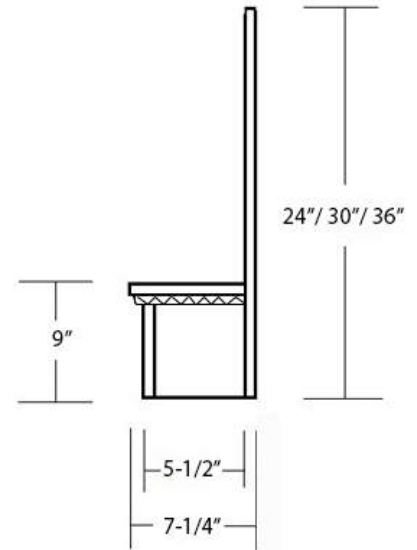




# Applied Molding Mantel Hood Front



Side View



Item #	Dimensions (h) x (w) x (d)	Liner
SY-JAAHF3024	24" x 30" x 7-1/4"	SY-HLT-30
SY-JAAHF3030	30" x 30" x 7-1/4"	SY-HLT-30
SY-JAAHF3036	36" x 30" x 7-1/4"	SY-HLT-30
SY-JAAHF3624	24" x 36" x 7-1/4"	SY-HLT-36
SY-JAAHF3630	30" x 36" x 7-1/4"	SY-HLT-36
SY-JAAHF3636	36" x 36" x 7-1/4"	SY-HLT-36
SY-JEAHF3024	24" x 30" x 7-1/4"	SY-HLT-30
SY-JEAHF3030	30" x 30" x 7-1/4"	SY-HLT-30
SY-JEAHF3036	36" x 30" x 7-1/4"	SY-HLT-30
SY-JEAHF3624	24" x 36" x 7-1/4"	SY-HLT-36
SY-JEAHF3630	30" x 36" x 7-1/4"	SY-HLT-36
SY-JEAHF3636	36" x 36" x 7-1/4"	SY-HLT-36
SY-JRAHF3024	24" x 30" x 7-1/4"	SY-HLT-30
SY-JRAHF3030	30" x 30" x 7-1/4"	SY-HLT-30
SY-JRAHF3036	36" x 30" x 7-1/4"	SY-HLT-30
SY-JRAHF3624	24" x 36" x 7-1/4"	SY-HLT-36
SY-JRAHF3630	30" x 36" x 7-1/4"	SY-HLT-36
SY-JRAHF3636	36" x 36" x 7-1/4"	SY-HLT-36



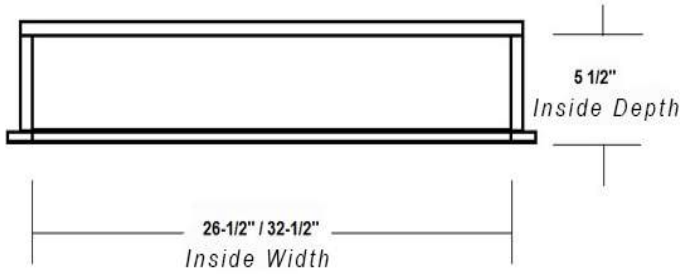
Acanthus Molding Detail



Egg & Dart Molding Detail



Reeded Molding Detail



- Hardwood Plywood and Solid Lumber Construction
- Accepts SY-HLT series T-shape Powder Coated Steel Liners (sold separately)
- Select from 300, 400 and 600 CFM Broan Ventilation power packs (sold separately) or Ascension 350SL, 350SS, 500SS and 620SS CFM Ventilation power packs (sold separately)
- Available in Cherry, Maple and Red Oak
- Designed to be used with customer supplied cabinet doors
- Must be mounted between two wall cabinets
- Choose Acanthus (A), Egg & Dart (E) or Reeded (R) Moldings

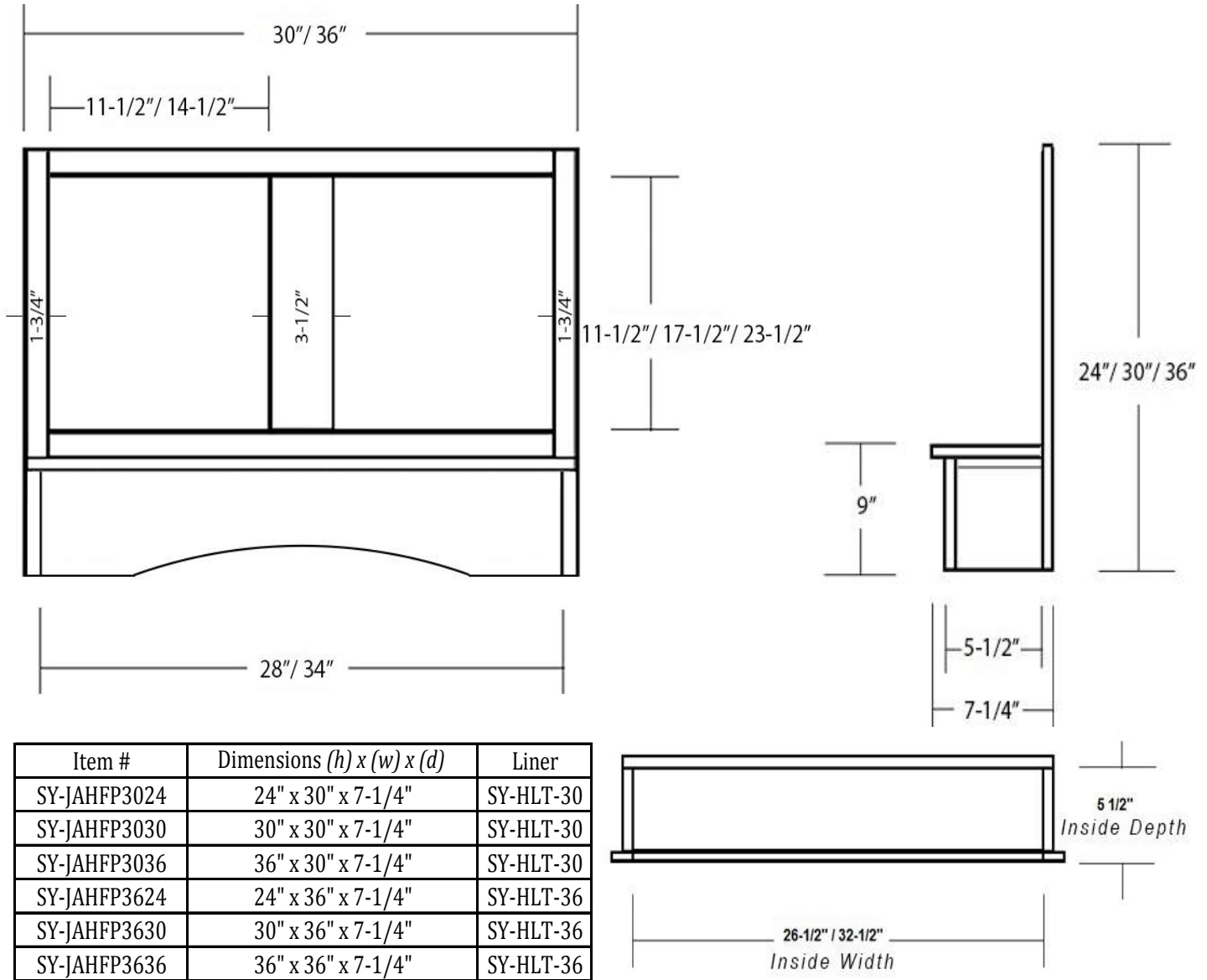


# Arched Plain Mantel Range Hood Front



Front View

Side View

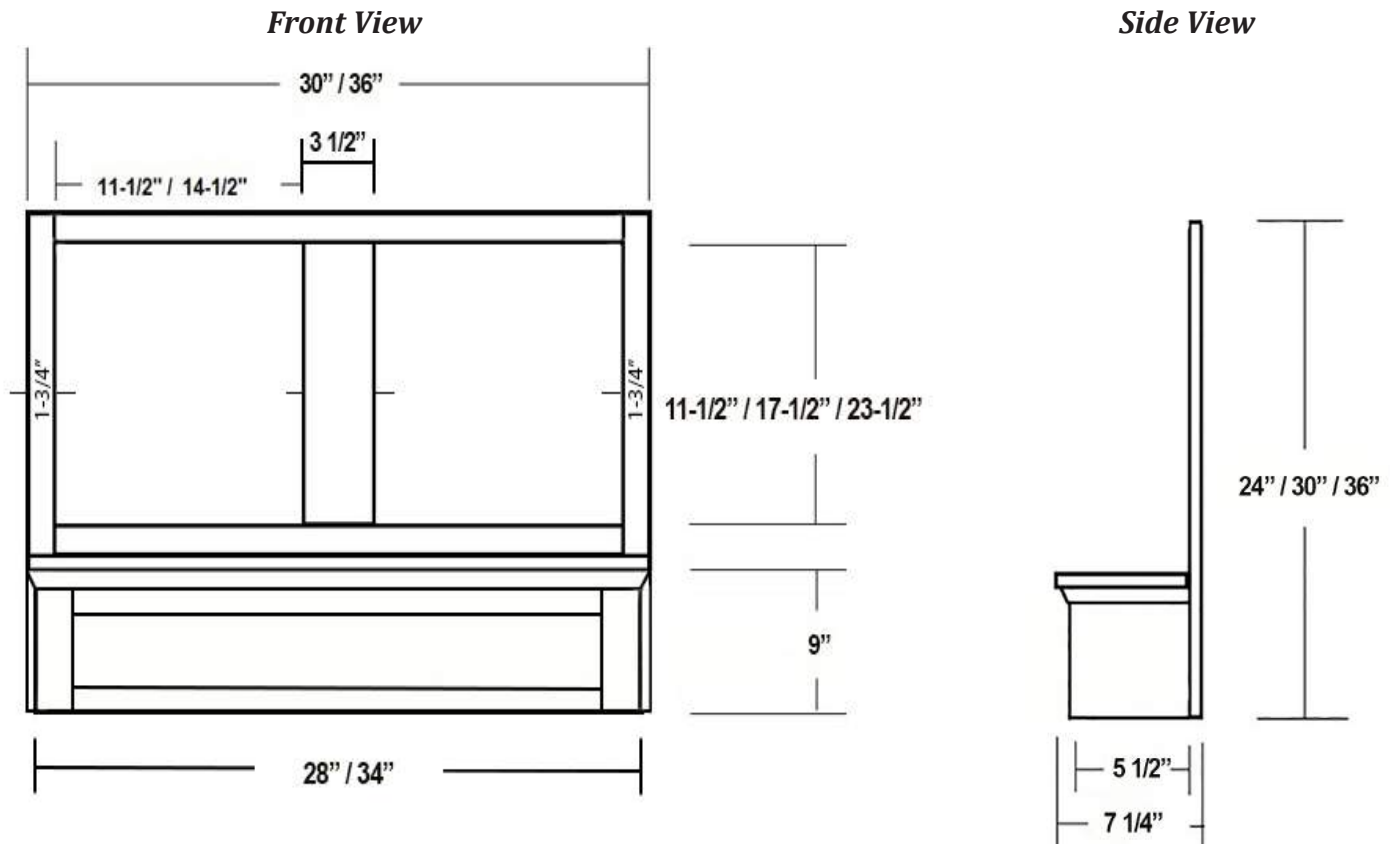


- Hardwood Plywood and Solid Lumber Construction
- Accepts SY-HLT series T-shape Powder Coated Steel Liners (sold separately)
- Select from 300, 400 and 600 CFM Broan Ventilation power packs (sold separately) or
- Ascension 350SL, 350SS, 500SS and 620SS CFM Ventilation power packs (sold separately)
- Available in Alder, Cherry, Hickory, Maple and Red Oak
- Designed to be used with customer supplied cabinet doors
- Must be mounted between two wall cabinets
- Optional moldings available

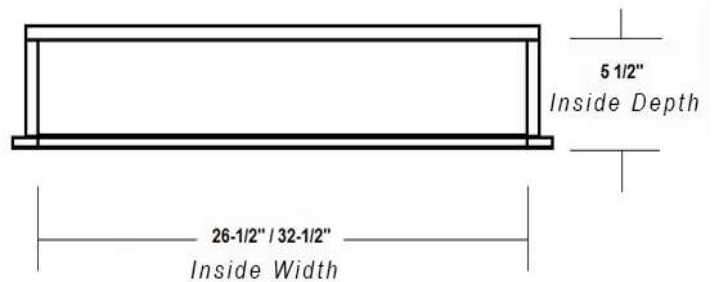




## Shaker Mantel Range Hood Front



Item #	Dimensions (h) x (w) x (d)	Liner
SY-JSMHF3024	24" x 30" x 7-1/4"	SY-HLT-30
SY-JSMHF3030	30" x 30" x 7-1/4"	SY-HLT-30
SY-JSMHF3036	36" x 30" x 7-1/4"	SY-HLT-30
SY-JSMHF3624	24" x 36" x 7-1/4"	SY-HLT-36
SY-JSMHF3630	30" x 36" x 7-1/4"	SY-HLT-36
SY-JSMHF3636	36" x 36" x 7-1/4"	SY-HLT-36



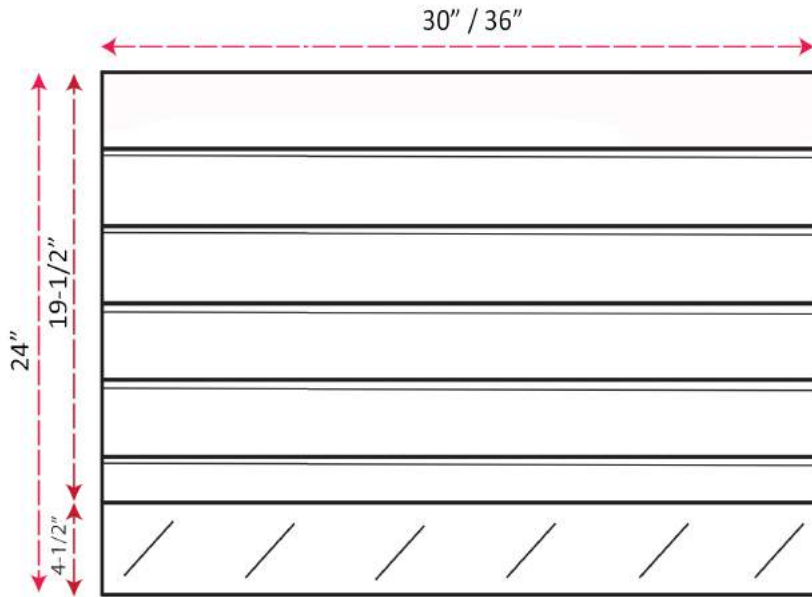
- Hardwood Plywood and Solid Lumber Construction
- Accepts SY-HLT series T-shape Powder Coated Steel Liners (*sold separately*)
- Select from 300, 400 and 600 CFM Broan Ventilation power packs (*sold separately*) or
- *Ascension 350SL, 350SS, 500SS and 620SS CFM Ventilation power packs (sold separately)*
- Available in Alder, Cherry, Hickory, Maple and Red Oak
- Designed to be used with customer supplied cabinet doors
- Must be mounted between two wall cabinets



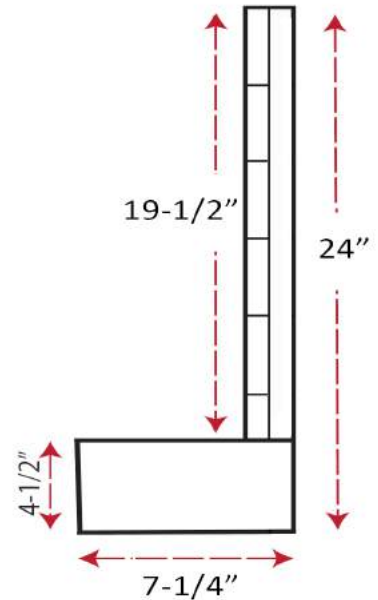
# Shiplap Mantel Range Hood Front



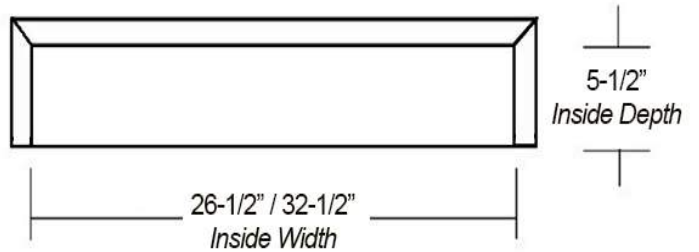
Front View



Side View



Item #	Dimensions (h) x (w) x (d)	Liner
SY-JSLMHF-3024-D	24" X 30" X 7-1/4"	SY-HLT-30
SY-JSLMHF-3624-D	24" X 36" X 7-1/4"	SY-HLT-36



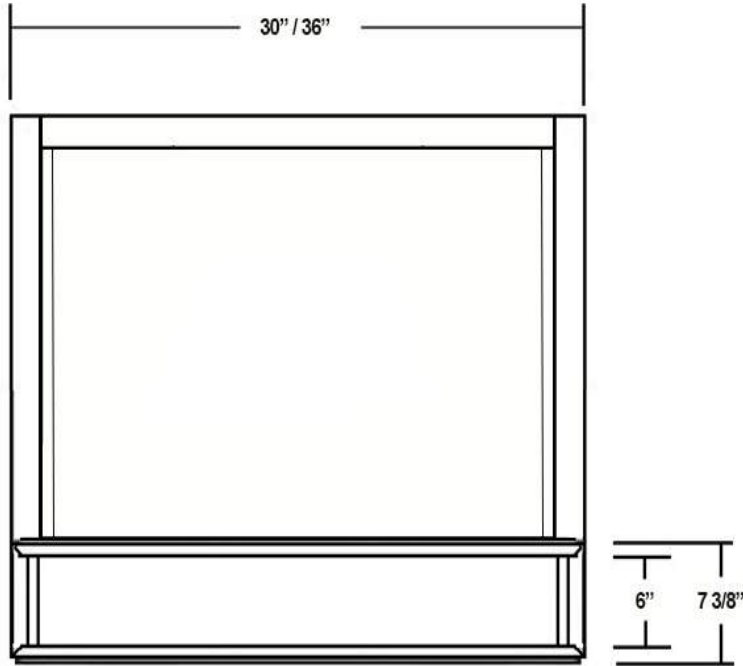
- Hardwood Plywood and Solid Lumber Construction
- Accepts SY-HLT series T-shape Powder Coated Steel Liners (sold separately)
- Select from 300, 400 and 600 CFM Broan Ventilation power packs (sold separately) or Ascension 350SL, 350SS, 500SS and 620SS CFM Ventilation power packs (sold separately)
- Available in Alder, Cherry, Hickory, Maple and Red Oak
- Detachable Front Panel for easy access
- Must be mounted between two wall cabinets



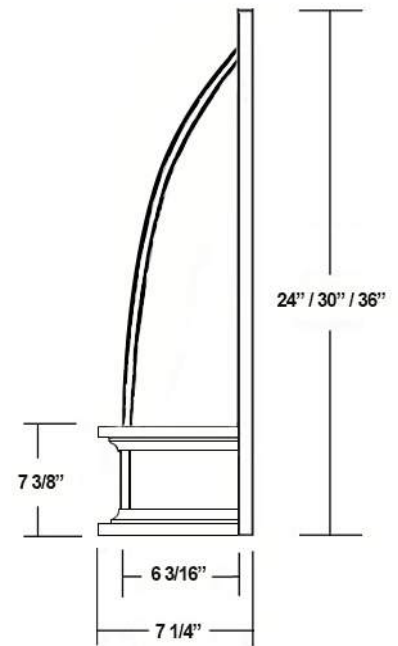


## Convex Range Hood Front

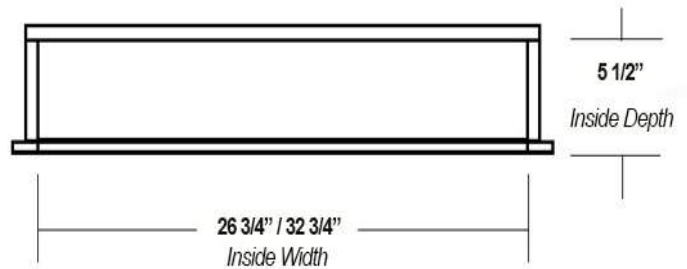
Front View



Side View



Item #	Dimensions (h) x (w) x (d)	Liner
SY-JCVHF3024	24" x 30" x 7-1/4"	SY-HLT-30
SY-JCVHF3030	30" x 30" x 7-1/4"	SY-HLT-30
SY-JCVHF3036	36" x 30" x 7-1/4"	SY-HLT-30
SY-JCVHF3624	24" x 36" x 7-1/4"	SY-HLT-36
SY-JCVHF3630	30" x 36" x 7-1/4"	SY-HLT-36
SY-JCVHF3636	36" x 36" x 7-1/4"	SY-HLT-36



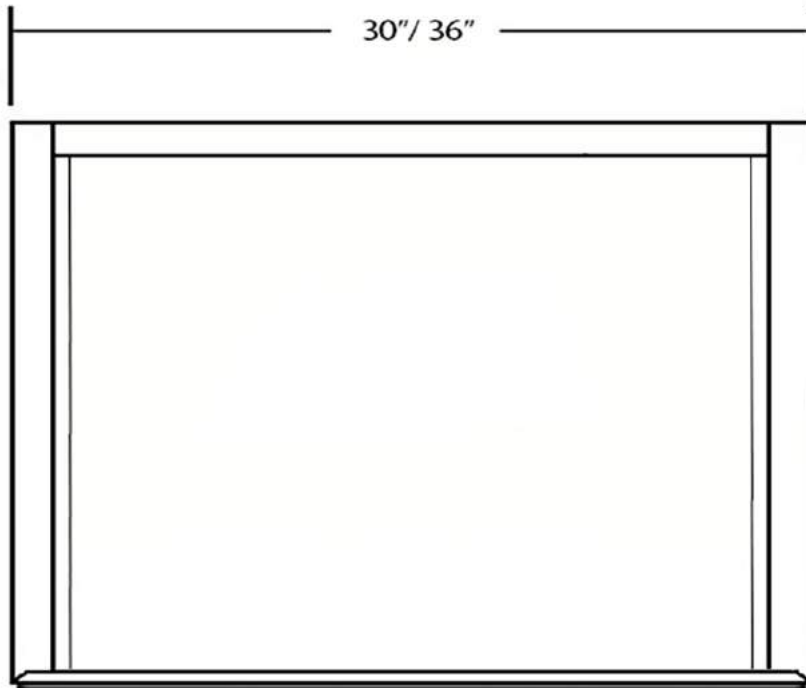
- Veneer, Hardwood Plywood and Solid Lumber Construction
- Accepts SY-HLT series T-shape Powder Coated Steel Liners (*sold separately*)
- Select from 300, 400 or 600 CFM Broan Ventilation power packs (*sold separately*) or
- *Ascension 350SL, 350SS, 500SS and 620SS CFM Ventilation power packs (sold separately)*
- Available in Alder, Cherry, Maple and Red Oak
- Must be mounted between two wall cabinets



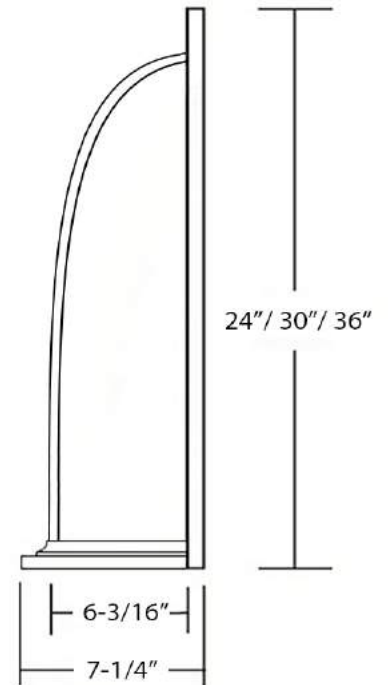
# Tall Convex Range Hood Front



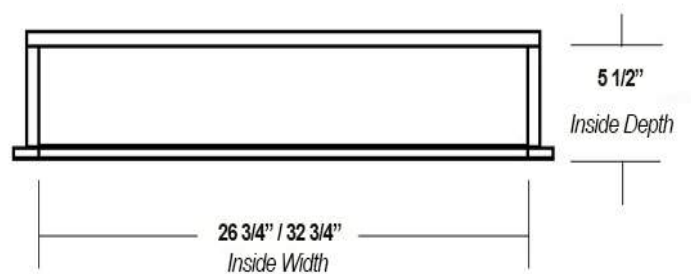
Front View



Side View



Item #	Dimensions (h) x (w) x (d)	Liner
SY-JCVHFX3024	24" x 30" x 7-1/4"	SY-HLT-30
SY-JCVHFX3030	30" x 30" x 7-1/4"	SY-HLT-30
SY-JCVHFX3036	36" x 30" x 7-1/4"	SY-HLT-30
SY-JCVHFX3624	24" x 36" x 7-1/4"	SY-HLT-36
SY-JCVHFX3630	30" x 36" x 7-1/4"	SY-HLT-36
SY-JCVHFX3636	36" x 36" x 7-1/4"	SY-HLT-36

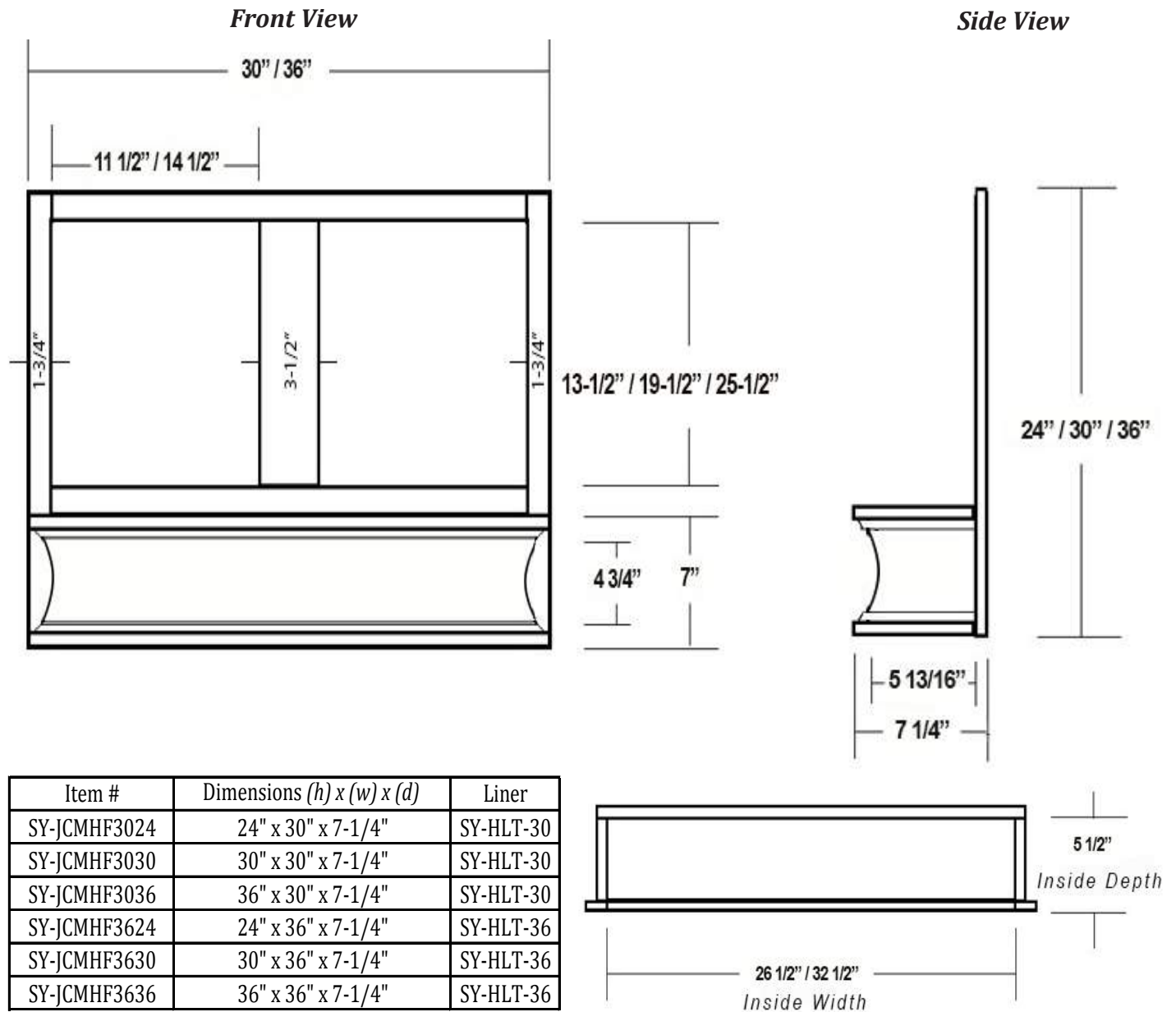


- Veneer, Hardwood Plywood and Solid Lumber Construction
- Accepts SY-HLT series T-shape Powder Coated Steel Liners (*sold separately*)
- Select from 300, 400 or 600 CFM Broan Ventilation power packs (*sold separately*) or
- Ascension 350SL, 350SS, 500SS and 620SS CFM Ventilation power packs (*sold separately*)
- Available in Alder, Cherry, Maple and Red Oak
- Must be mounted between two wall cabinets





## Coved Mantel Range Hood Front



Item #	Dimensions (h) x (w) x (d)	Liner
SY-JCMHF3024	24" x 30" x 7-1/4"	SY-HLT-30
SY-JCMHF3030	30" x 30" x 7-1/4"	SY-HLT-30
SY-JCMHF3036	36" x 30" x 7-1/4"	SY-HLT-30
SY-JCMHF3624	24" x 36" x 7-1/4"	SY-HLT-36
SY-JCMHF3630	30" x 36" x 7-1/4"	SY-HLT-36
SY-JCMHF3636	36" x 36" x 7-1/4"	SY-HLT-36

- Solid Lumber Construction
- Accepts SY-HLT series T-shape Powder Coated Steel Liners *(sold separately)*
- Select from 300, 400 or 600 CFM Broan Ventilation power packs *(sold separately)* or
- Ascension 350SL, 350SS, 500SS and 620SS CFM Ventilation power packs *(sold separately)*
- Available in Alder, Cherry, Maple and Red Oak
- Designed to be used with customer supplied cabinet doors
- Must be mounted between two wall cabinets



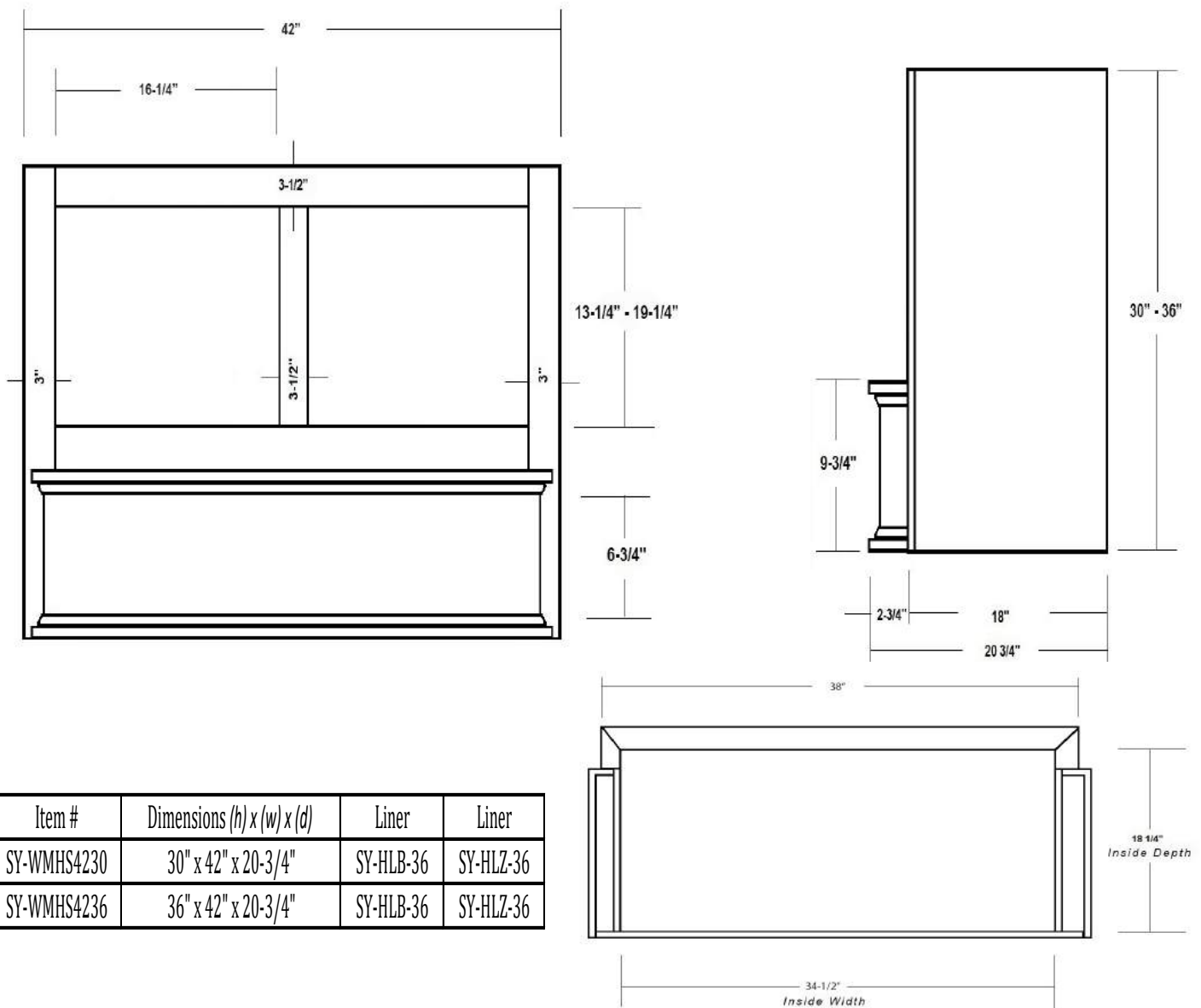


# Mantel Style Range Hood



Front View

Side View



Item #	Dimensions (h) x (w) x (d)	Liner	Liner
SY-WMHS4230	30" x 42" x 20-3/4"	SY-HLB-36	SY-HLZ-36
SY-WMHS4236	36" x 42" x 20-3/4"	SY-HLB-36	SY-HLZ-36

- Hardwood Plywood and Solid Lumber Construction
- 1/2" Rear Plywood Stretchers for wall mounting
- Accepts SY-HLB series Powder Coated or Stainless Steel Liners (*sold separately*)
- Select from 300, 400 or 600 CFM Broan Ventilation power packs (*sold separately*) or
- *Ascension 350SL, 350SS, 500SS and 620SS CFM Ventilation power packs (sold separately) or*
- *Ascension 900 CFM Professional Ventilators (requires HLZ series Liners)*
- Available in Alder, Cherry, Hickory, Maple and Red Oak
- Designed to be used with customer supplied cabinet doors
- Increased Depth option available
- Base section will accommodate Ornaments up to 5" x 24"

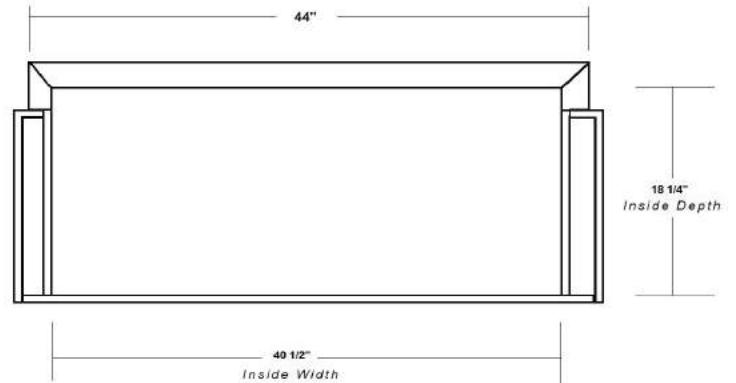
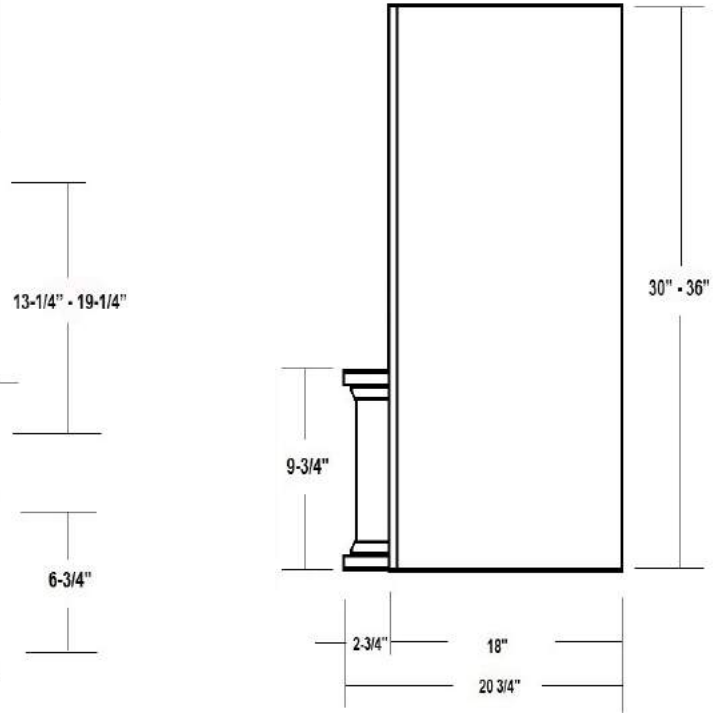
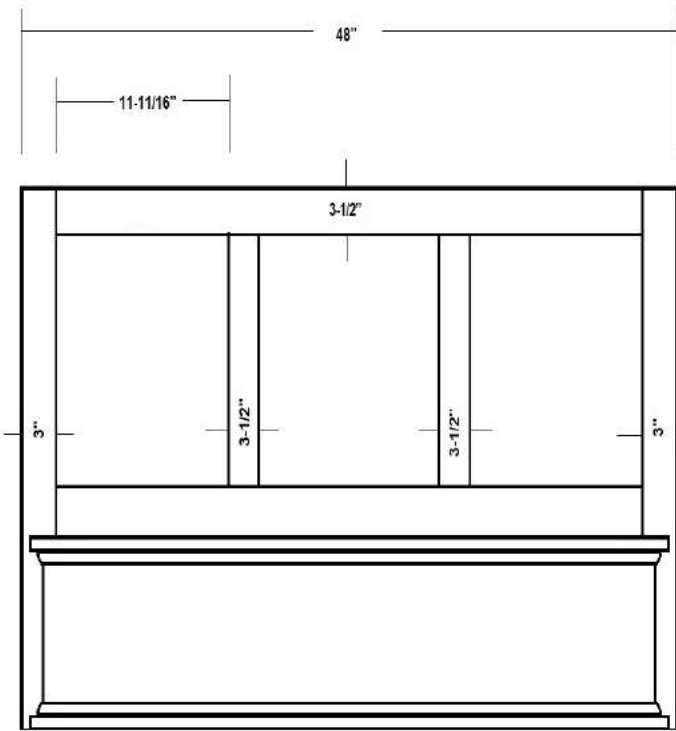




# Mantel Style Range Hood

Front View

Side View



Item #	Dimensions (h) x (w) x (d)	Liner	Liner
SY-WMHS4830	30" x 48" x 20-3/4"	SY-HLB-42	SY-HLZ-42
SY-WMHS4836	36" x 48" x 20-3/4"	SY-HLB-42	SY-HLZ-42

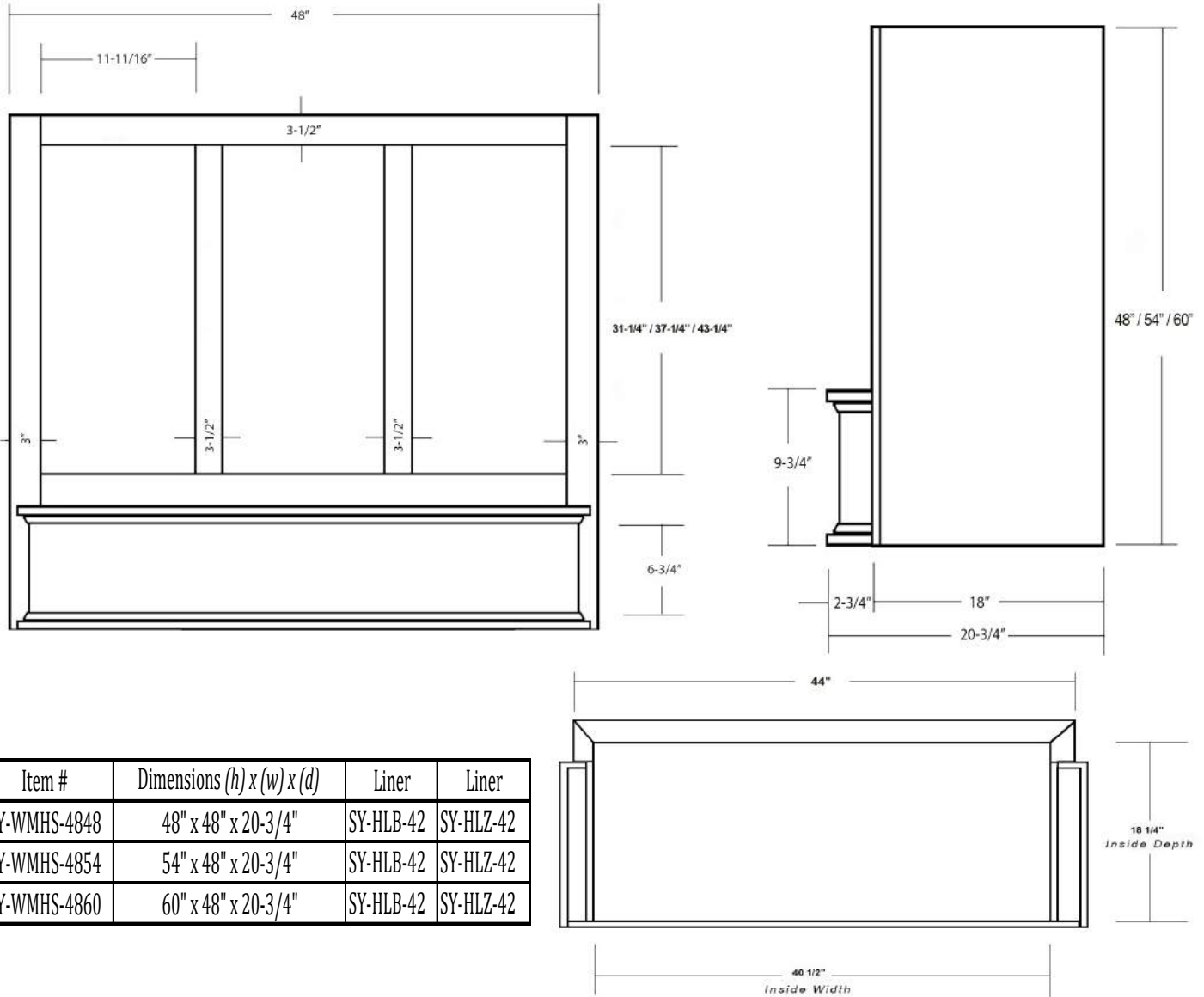
- Hardwood Plywood and Solid Lumber Construction
- 1/2" Rear Plywood Stretchers for wall mounting
- Accepts SY-HLB series Powder Coated or Stainless Steel Liners (*sold separately*)
- Select from 300, 400 or 600 CFM Broan Ventilation power packs (*sold separately*) or
- *Ascension 350SL, 350SS, 500SS and 620SS CFM Ventilation power packs (sold separately) or*
- *Ascension 1200 CFM Professional Ventilators (requires HLZ series Liners)*
- Available in Alder, Cherry, Hickory, Maple and Red Oak
- Designed to be used with customer supplied cabinet doors
- Increased Depth option available
- Base section will accommodate Ornaments up to 5" x 24"



# Mantel Style Range Hood

**Front View**

**Side View**



Item #	Dimensions (h) x (w) x (d)	Liner	Liner
SY-WMHS-4848	48" x 48" x 20-3/4"	SY-HLB-42	SY-HLZ-42
SY-WMHS-4854	54" x 48" x 20-3/4"	SY-HLB-42	SY-HLZ-42
SY-WMHS-4860	60" x 48" x 20-3/4"	SY-HLB-42	SY-HLZ-42

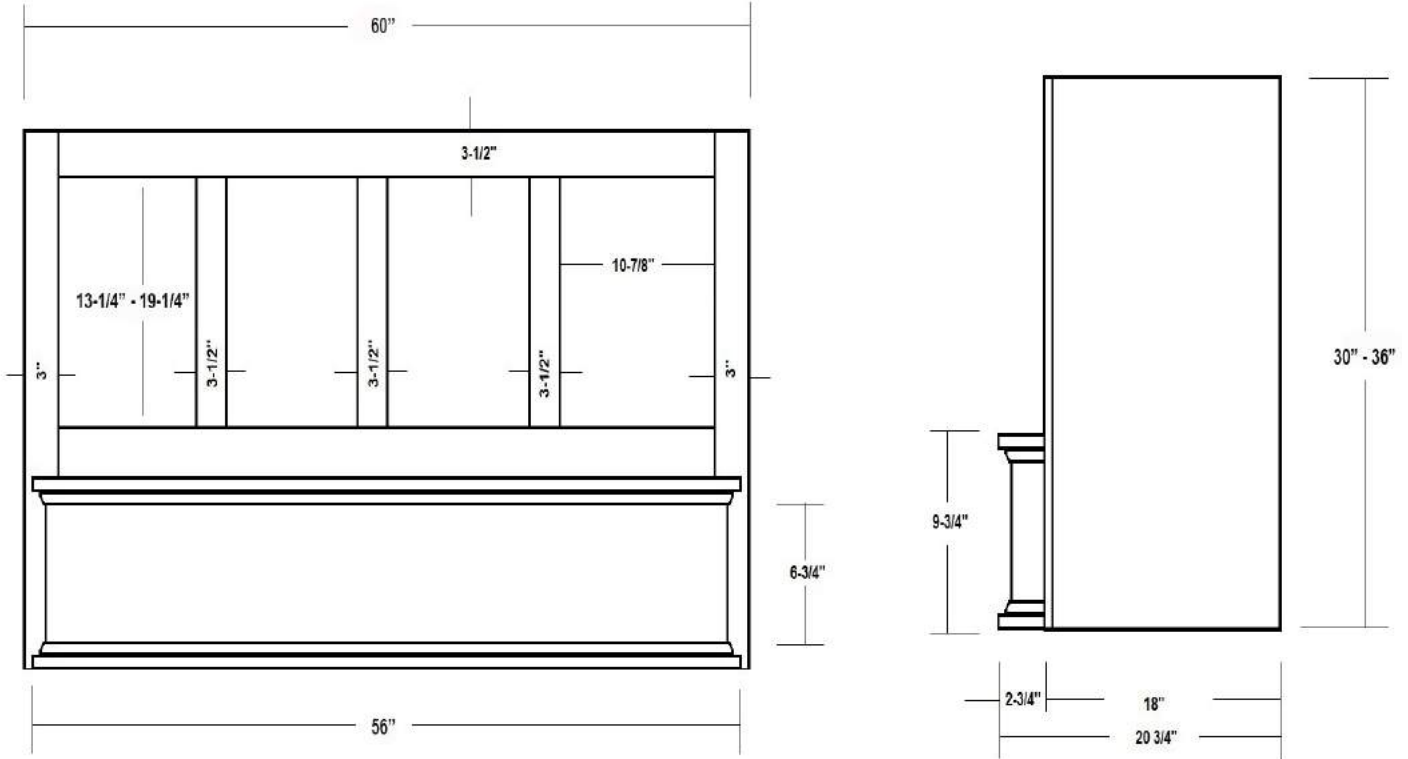
- Hardwood Plywood and Solid Lumber Construction
- 1/2" Rear Plywood Stretchers for wall mounting
- Accepts SY-HLB series Powder Coated or Stainless Steel Liners (*sold separately*)
- Select from 300, 400 or 600 CFM Broan Ventilation power packs (*sold separately*) or
- Ascension 350SL, 350SS, 500SS and 620SS CFM Ventilation power packs (*sold separately*) or
- Ascension 1200 CFM Professional Ventilators (*requires HLZ series Liners*)
- Available in Alder, Cherry, Hickory, Maple and Red Oak
- Designed to be used with customer supplied cabinet doors
- Increased Depth option available
- Base section will accommodate Ornaments up to 5" x 24"



# Mantel Style Range Hood

Front View

Side View



Item #	Dimensions (h) x (w) x (d)	Liner	Liner
SY-WMHS6030	30" x 60" x 20-3/4"	SY-HLB-48	SY-HLZ-48
SY-WMHS6036	36" x 60" x 20-3/4"	SY-HLB-48	SY-HLZ-48



- Hardwood Plywood and Solid Lumber Construction
- 1/2" Rear Plywood Stretchers for wall mounting
- Accepts SY-HLB series Powder Coated or Stainless Steel Liners (*sold separately*)
- Select from 300, 400 or 600 CFM Broan Ventilation power packs (*sold separately*) or
- *Ascension 350SL, 350SS, 500SS and 620SS CFM Ventilation power packs (sold separately)* or
- *Ascension 1200 CFM Professional Ventilators (requires HLZ series Liners)*
- Available in Alder, Cherry, Hickory, Maple and Red Oak
- Designed to be used with customer supplied cabinet doors
- Increased Depth option available
- Base section will accommodate Ornaments up to 5" x 24"

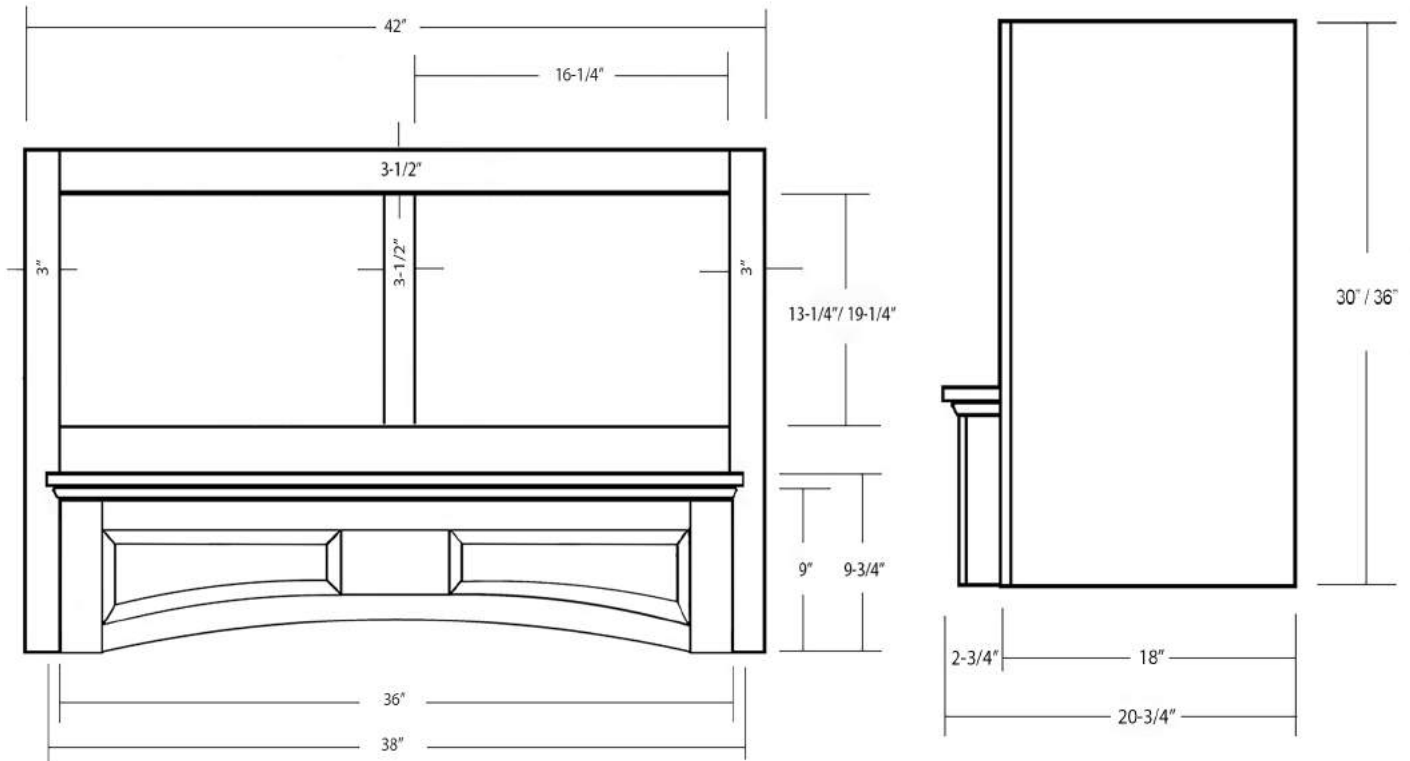


# Arched Raised Panel Mantel Range Hood

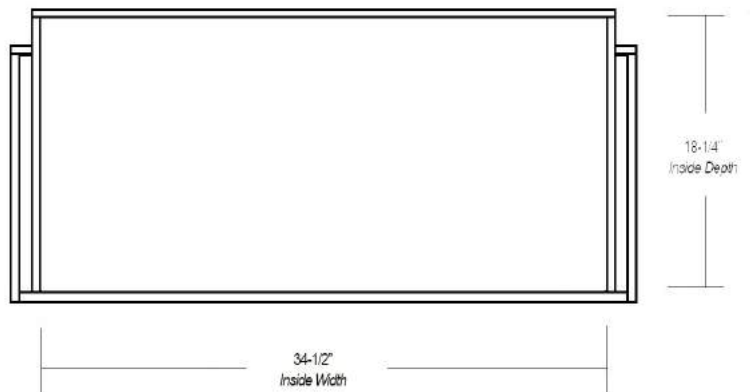


**Front View**

**Side View**



Item #	Dimensions (h) x (w) x (d)	Liner	Liner
SY-WMHRP4230	30" x 42" x 20-3/4"	SY-HLB-36	SY-HLZ-36
SY-WMHRP4236	36" x 42" x 20-3/4"	SY-HLB-36	SY-HLZ-36



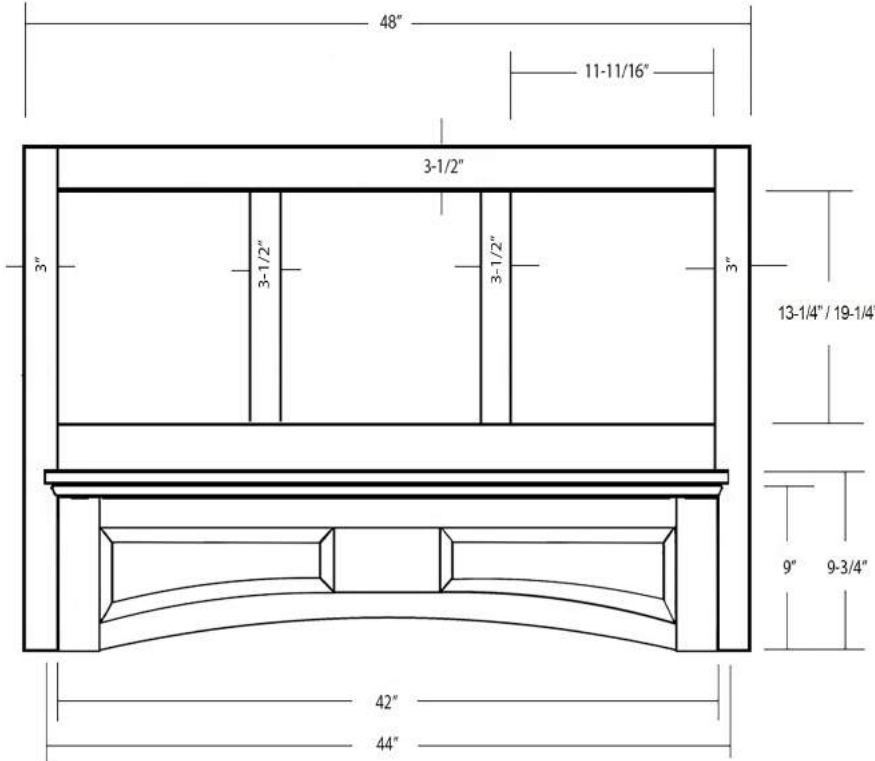
- Hardwood Plywood and Solid Lumber Construction
- 1/2" Rear Plywood Stretchers for wall mounting
- Accepts SY-HLB series Powder Coated or Stainless Steel Liners (*sold separately*)
- Select from 300, 400 or 600 CFM Broan Ventilation power packs (*sold separately*) or
- *Ascension 350SL, 350SS, 500SS and 620SS CFM Ventilation power packs (sold separately) or*
- *Ascension 900 CFM Professional Ventilators (requires HLZ series Liners)*
- Available in Cherry, Maple and Red Oak
- Designed to be used with customer supplied cabinet doors
- Increased Depth option available



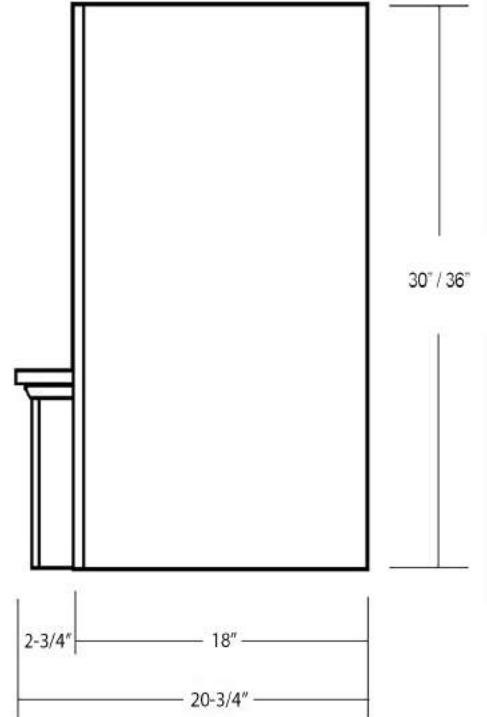


# Arched Raised Panel Mantel Range Hood

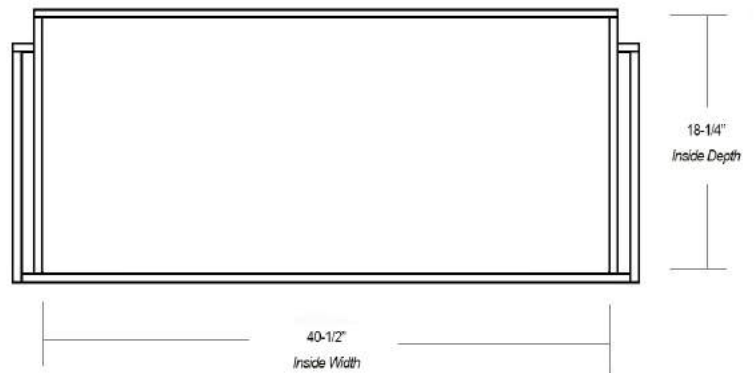
Front View



Side View



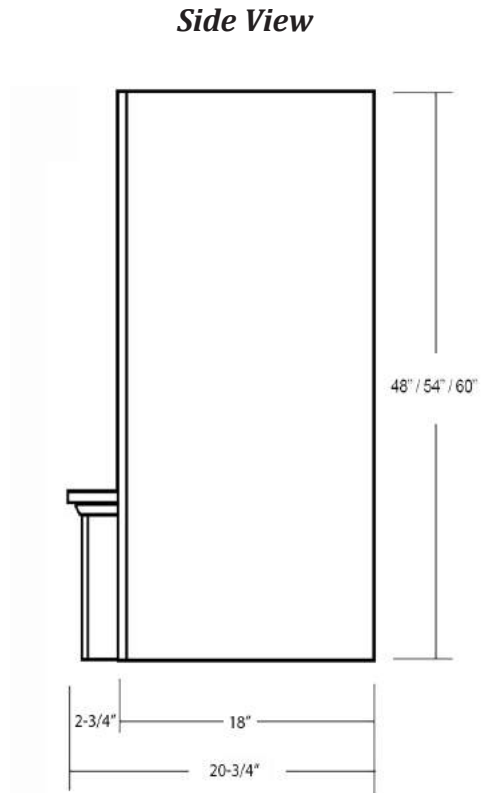
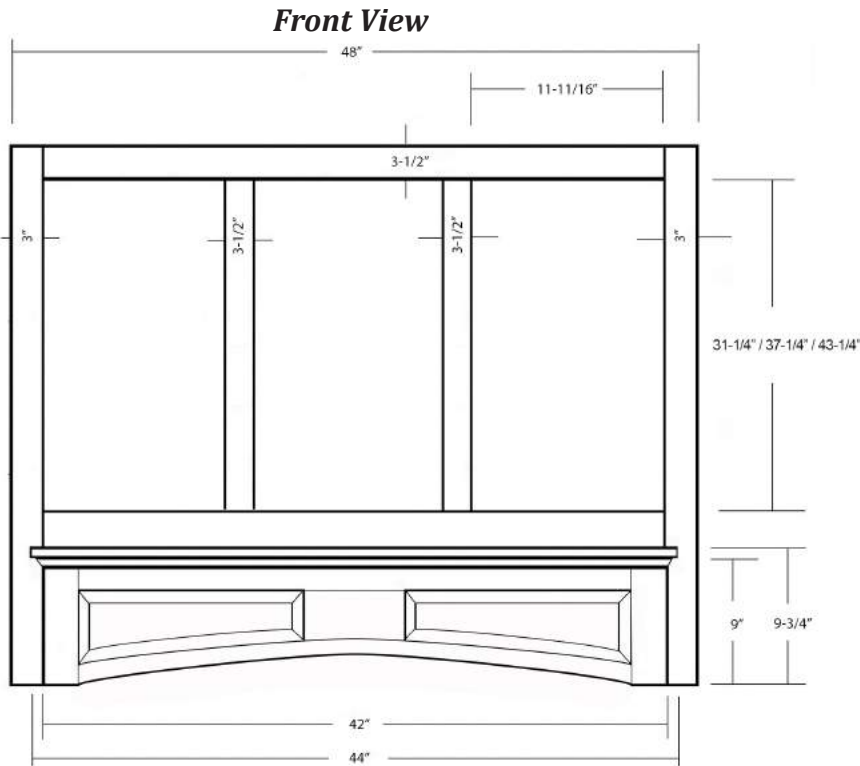
Item #	Dimensions (h) x (w) x (d)	Liner	Liner
SY-WMHRP4830	30" x 48" x 20-3/4"	SY-HLB-42	SY-HLZ-42
SY-WMHRP4836	36" x 48" x 20-3/4"	SY-HLB-42	SY-HLZ-42



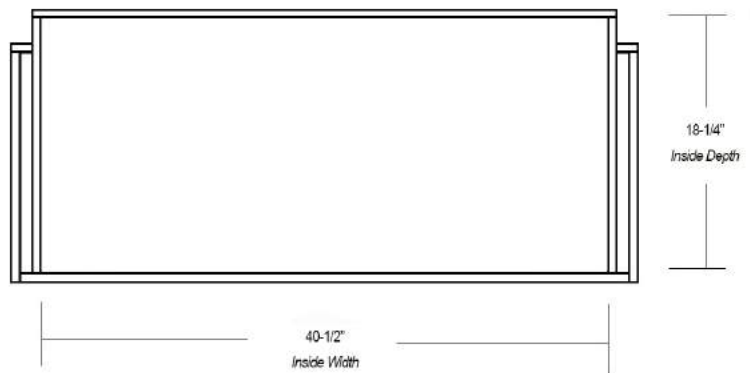
- Hardwood Plywood and Solid Lumber Construction
- 1/2" Rear Plywood Stretchers for wall mounting
- Accepts SY-HLB series Powder Coated or Stainless Steel Liners (*sold separately*)
- Select from 300, 400 or 600 CFM Broan Ventilation power packs (*sold separately*) or
- Ascension 350SL, 350SS, 500SS and 620SS CFM Ventilation power packs (*sold separately*) or
- Ascension 1200 CFM Professional Ventilators (*requires HLZ series Liners*)
- Available in Cherry, Maple and Red Oak
- Designed to be used with customer supplied cabinet doors
- Increased Depth option available



# Arched Raised Panel Mantel Range Hood



Item #	Dimensions (h) x (w) x (d)	Liner	Liner
SY-WMHRP-4848	48" x 48" x 20-3/4"	SY-HLB-42	SY-HLZ-42
SY-WMHRP-4854	54" x 48" x 20-3/4"	SY-HLB-42	SY-HLZ-42
SY-WMHRP-4860	60" x 48" x 20-3/4"	SY-HLB-42	SY-HLZ-42



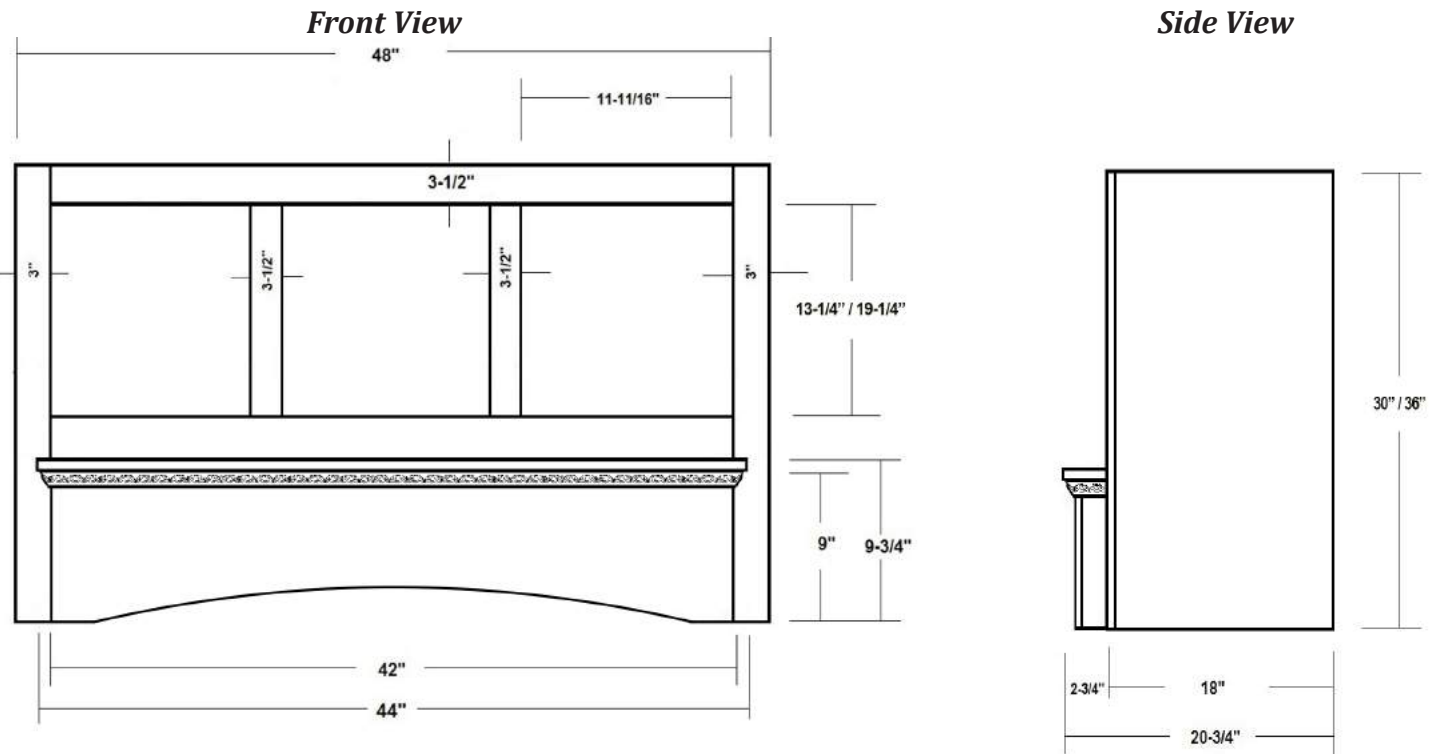
- Hardwood Plywood and Solid Lumber Construction
- 1/2" Rear Plywood Stretchers for wall mounting
- Accepts SY-HLB series Powder Coated or Stainless Steel Liners (*sold separately*)
- Select from 300, 400 or 600 CFM Broan Ventilation power packs (*sold separately*) or
- Ascension 350SL, 350SS, 500SS and 620SS CFM Ventilation power packs (*sold separately*) or
- Ascension 1200 CFM Professional Ventilators (*requires HLZ series Liners*)
- Available in Cherry, Maple and Red Oak
- Designed to be used with customer supplied cabinet doors
- Increased Depth option available



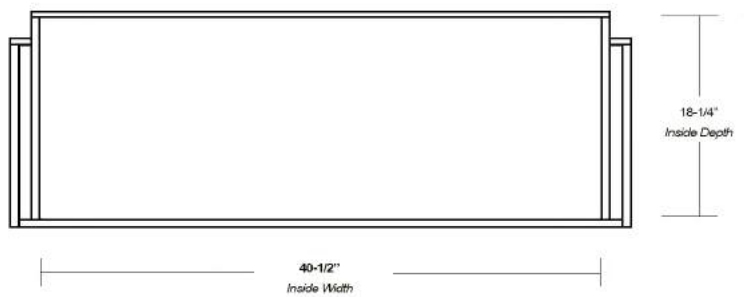




# Applied Molding Mantel Range Hood



Item #	Dimensions (h) x (w) x (d)	Liner	Liner
SY-WMHAA4830	30" x 48" x 20-3/4"	SY-HLB-42	SY-HLZ-42
SY-WMHAA4836	36" x 48" x 20-3/4"	SY-HLB-42	SY-HLZ-42
SY-WMHAE4830	30" x 48" x 20-3/4"	SY-HLB-42	SY-HLZ-42
SY-WMHAE4836	36" x 48" x 20-3/4"	SY-HLB-42	SY-HLZ-42
SY-WMHAR4830	30" x 48" x 20-3/4"	SY-HLB-42	SY-HLZ-42
SY-WMHAR4836	36" x 48" x 20-3/4"	SY-HLB-42	SY-HLZ-42

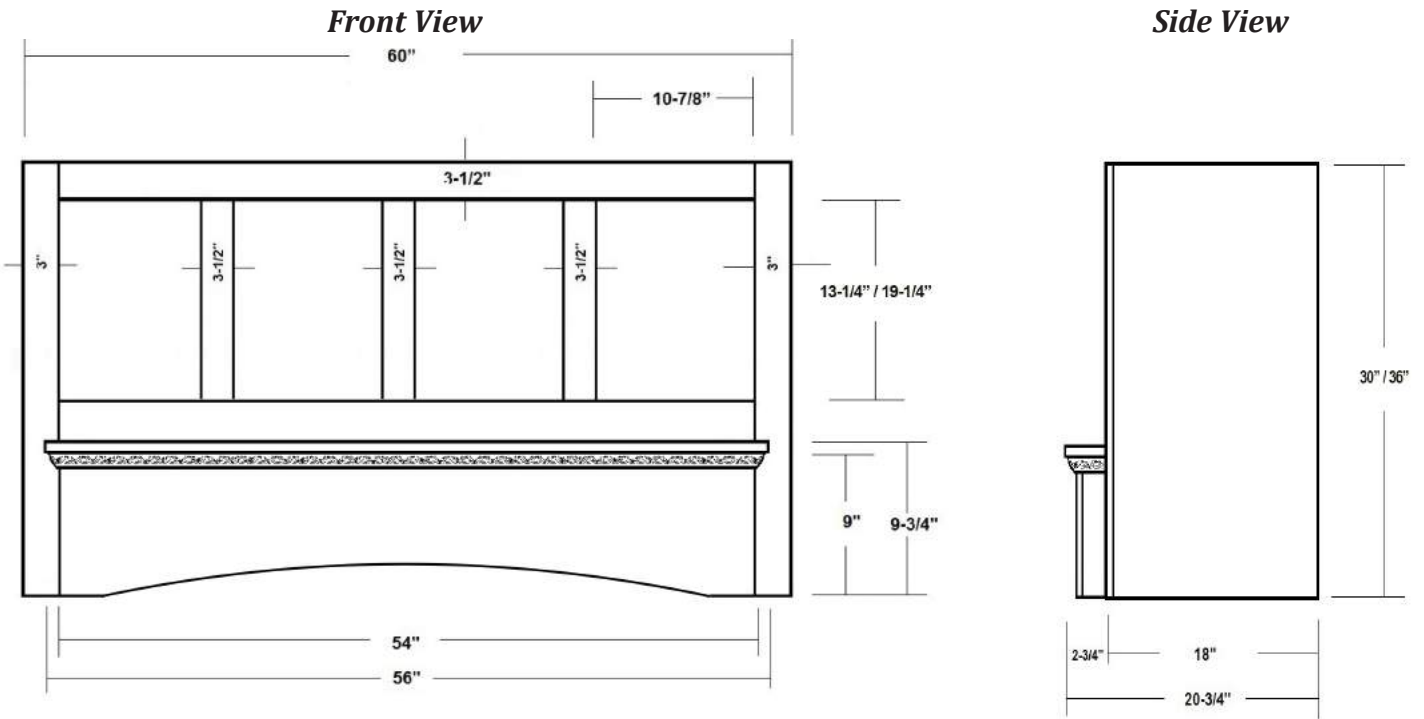


- Hardwood Plywood and Solid Lumber Construction
- 1/2" Rear Plywood Stretchers for wall mounting
- Accepts SY-HLB series Powder Coated or Stainless Steel Liners (*sold separately*)
- Select from 300, 400 or 600 CFM Broan Ventilation power packs (*sold separately*) or
- Ascension 350SL, 350SS, 500SS and 620SS CFM Ventilation power packs (*sold separately*) or
- Ascension 1200 CFM Professional Ventilators (*requires HLZ series Liners*)
- Available in Cherry, Maple and Red Oak
- Designed to be used with customer supplied cabinet doors
- Increased Depth option available
- Choose Acanthus (A), Egg & Dart (E) or Reeded (R) Moldings





# Applied Molding Mantel Range Hood



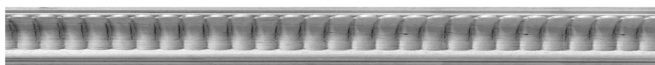
Item #	Dimensions (h) x (w) x (d)	Liner	Liner
SY-WMHAA6030	30" x 60" x 20-3/4"	SY-HLB-48	SY-HLZ-48
SY-WMHAA6036	36" x 60" x 20-3/4"	SY-HLB-48	SY-HLZ-48
SY-WMHAE6030	30" x 60" x 20-3/4"	SY-HLB-48	SY-HLZ-48
SY-WMHAE6036	36" x 60" x 20-3/4"	SY-HLB-48	SY-HLZ-48
SY-WMHAR6030	30" x 60" x 20-3/4"	SY-HLB-48	SY-HLZ-48
SY-WMHAR6036	36" x 60" x 20-3/4"	SY-HLB-48	SY-HLZ-48



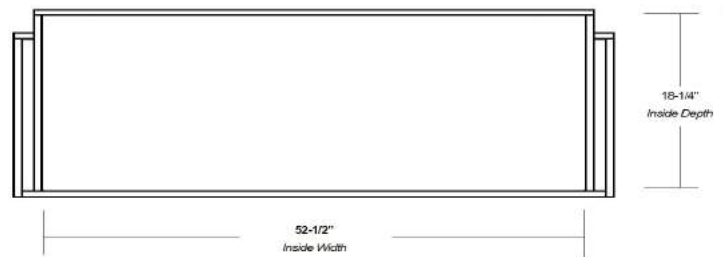
Acanthus Molding Detail



Egg & Dart Molding Detail



Reeded Molding Detail



- Hardwood Plywood and Solid Lumber Construction
- 1/2" Rear Plywood Stretchers for wall mounting
- Accepts SY-HLB series Powder Coated or Stainless Steel Liners (*sold separately*)
- Select from 300, 400 or 600 CFM Broan Ventilation power packs (*sold separately*) or
- Ascension 350SL, 350SS, 500SS and 620SS CFM Ventilation power packs (*sold separately*) or
- Ascension 1200 CFM Professional Ventilators (*requires HLZ series Liners*)
- Available in Cherry, Maple and Red Oak
- Designed to be used with customer supplied cabinet doors
- Increased Depth option available
- Choose Acanthus (A), Egg & Dart (E) or Reeded (R) Moldings

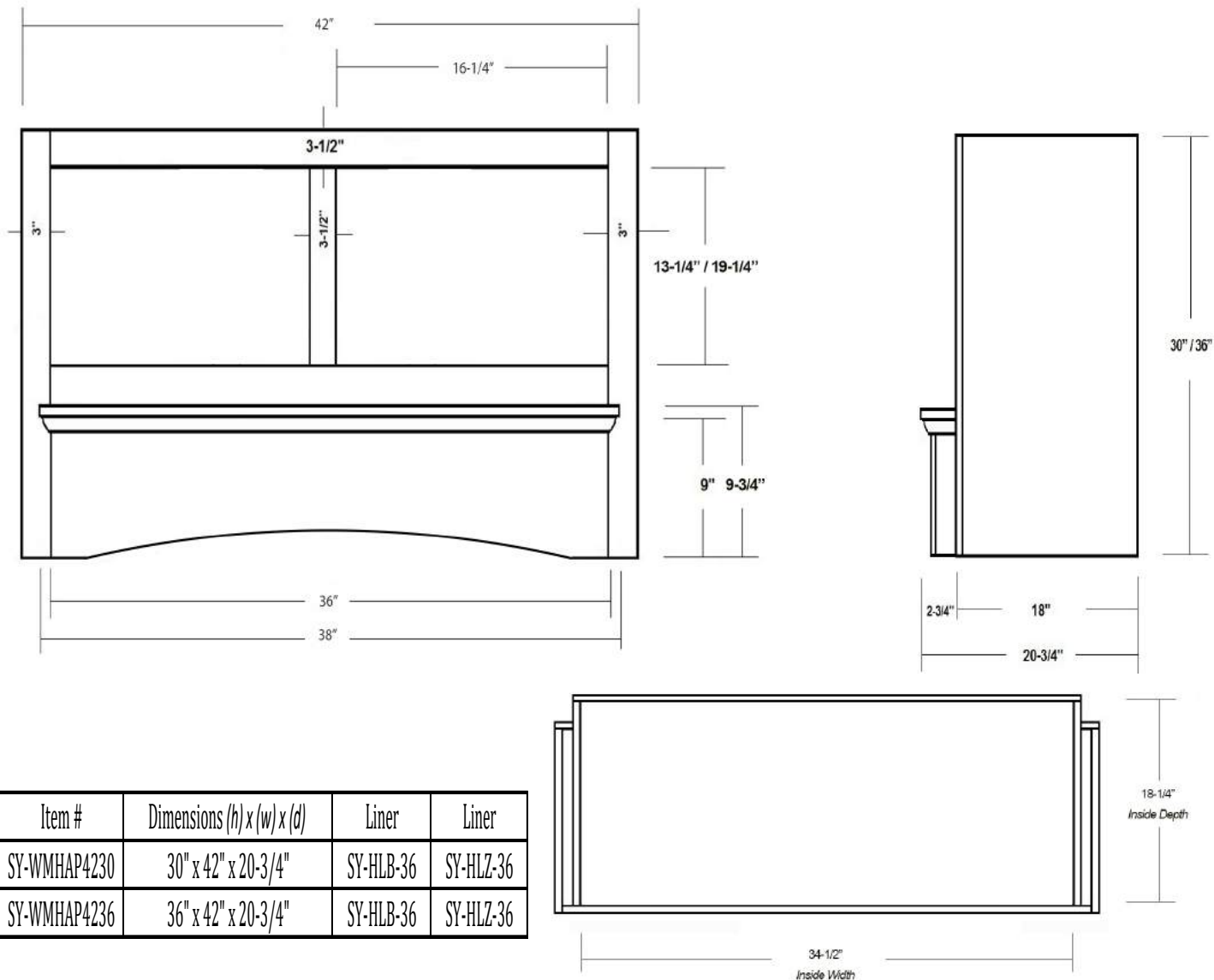


# Arched Plain Valance Mantel Range Hood



**Front View**

**Side View**



Item #	Dimensions (h) x (w) x (d)	Liner	Liner
SY-WMHAP4230	30" x 42" x 20-3/4"	SY-HLB-36	SY-HLZ-36
SY-WMHAP4236	36" x 42" x 20-3/4"	SY-HLB-36	SY-HLZ-36

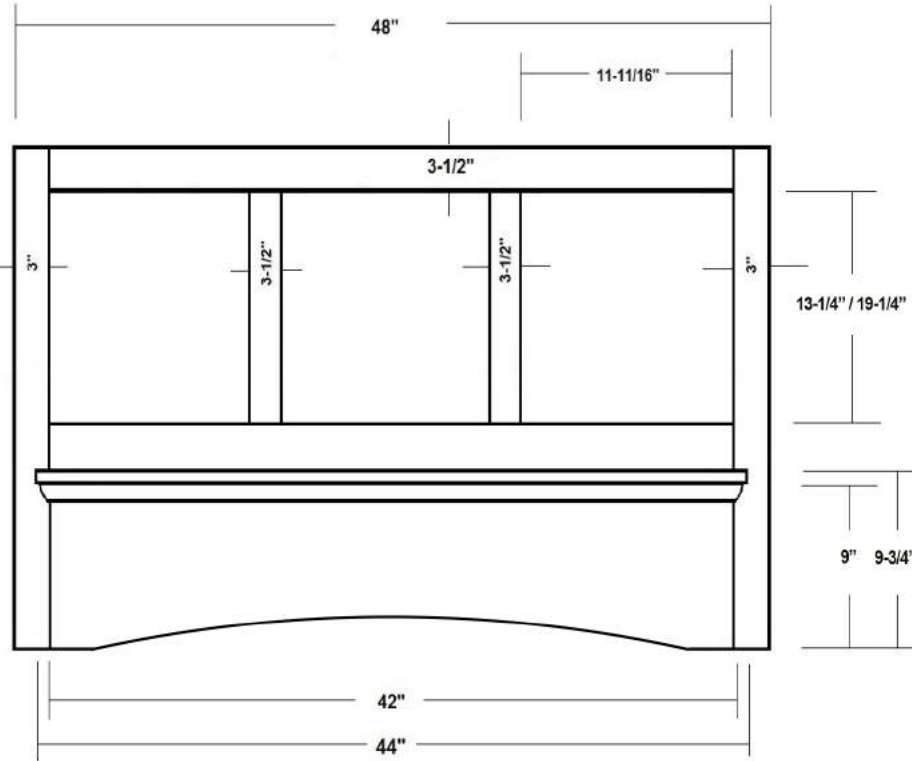
- Hardwood Plywood and Solid Lumber Construction
- 1/2" Rear Plywood Stretchers for wall mounting
- Accepts SY-HLB series Powder Coated or Stainless Steel Liners (*sold separately*)
- Select from 300, 400 or 600 CFM Broan Ventilation power packs (*sold separately*) or
- *Ascension 350SL, 350SS, 500SS and 620SS CFM Ventilation power packs (sold separately) or*
- *Ascension 900 CFM Professional Ventilators (requires HLZ series Liners)*
- Available in Alder, Cherry, Hickory, Maple and Red Oak
- Designed to be used with customer supplied cabinet doors
- Increased Depth option available



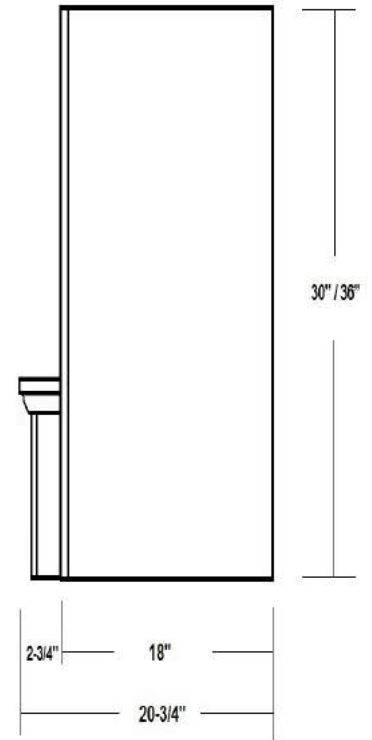


# Arched Plain Valance Mantel Range Hood

Front View



Side View



Item #	Dimensions (h) x (w) x (d)	Liner	Liner
SY-WMHAP4830	30" x 48" x 20-3/4"	SY-HLB-42	SY-HLZ-42
SY-WMHAP4836	36" x 48" x 20-3/4"	SY-HLB-42	SY-HLZ-42



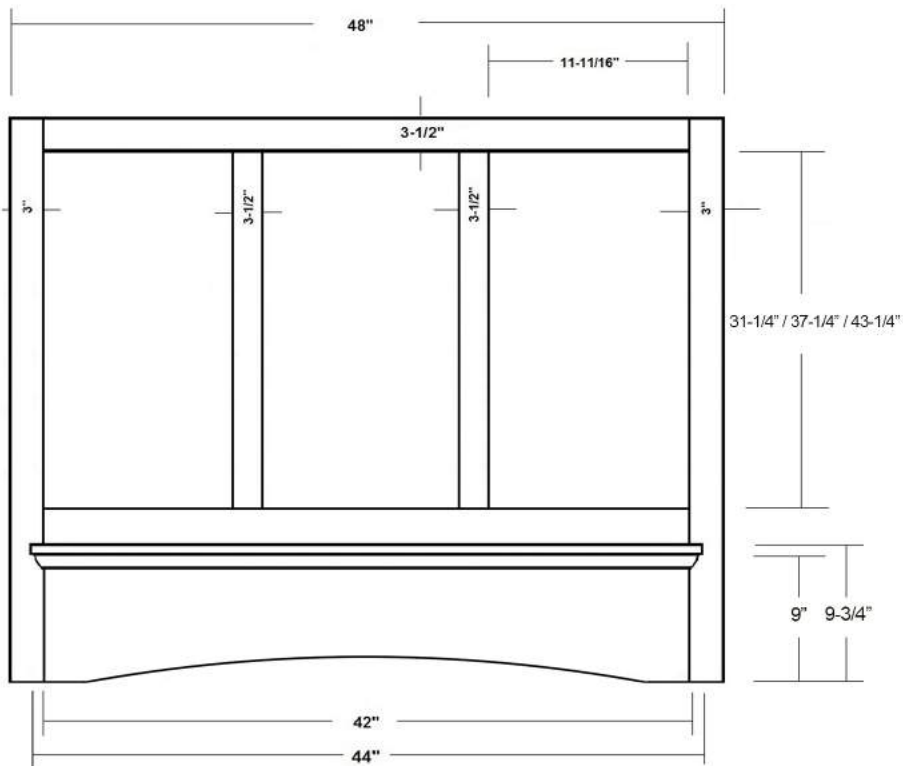
- Hardwood Plywood and Solid Lumber Construction
- 1/2" Rear Plywood Stretchers for wall mounting
- Accepts SY-HLB series Powder Coated or Stainless Steel Liners (*sold separately*)
- Select from 300, 400 or 600 CFM Broan Ventilation power packs (*sold separately*) or
- Ascension 350SL, 350SS, 500SS and 620SS CFM Ventilation power packs (*sold separately*) or
- Ascension 1200 CFM Professional Ventilators (*requires HLZ series Liners*)
- Available in Alder, Cherry, Hickory, Maple and Red Oak
- Designed to be used with customer supplied cabinet doors
- Increased Depth option available



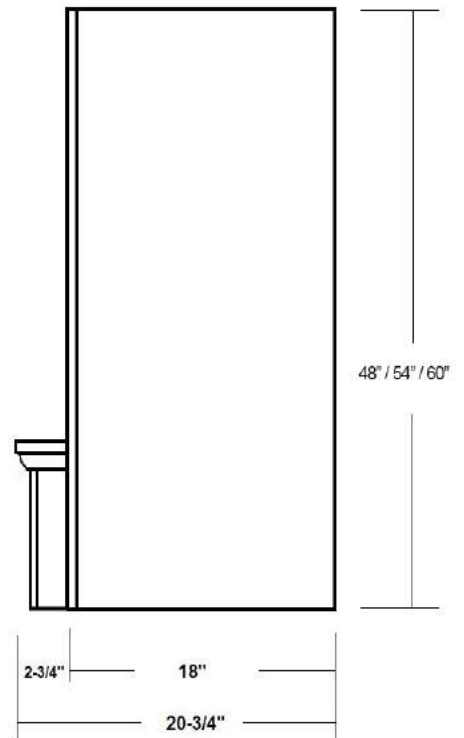
# Arched Plain Valance Mantel Range Hood



**Front View**



**Side View**



Item #	Dimensions (h) x (w) x (d)	Liner	Liner
SY-WMHAP4848	48" x 48" x 20-3/4"	SY-HLB-42	SY-HLZ-42
SY-WMHAP4854	54" x 48" x 20-3/4"	SY-HLB-42	SY-HLZ-42
SY-WMHAP4860	60" x 48" x 20-3/4"	SY-HLB-42	SY-HLZ-42



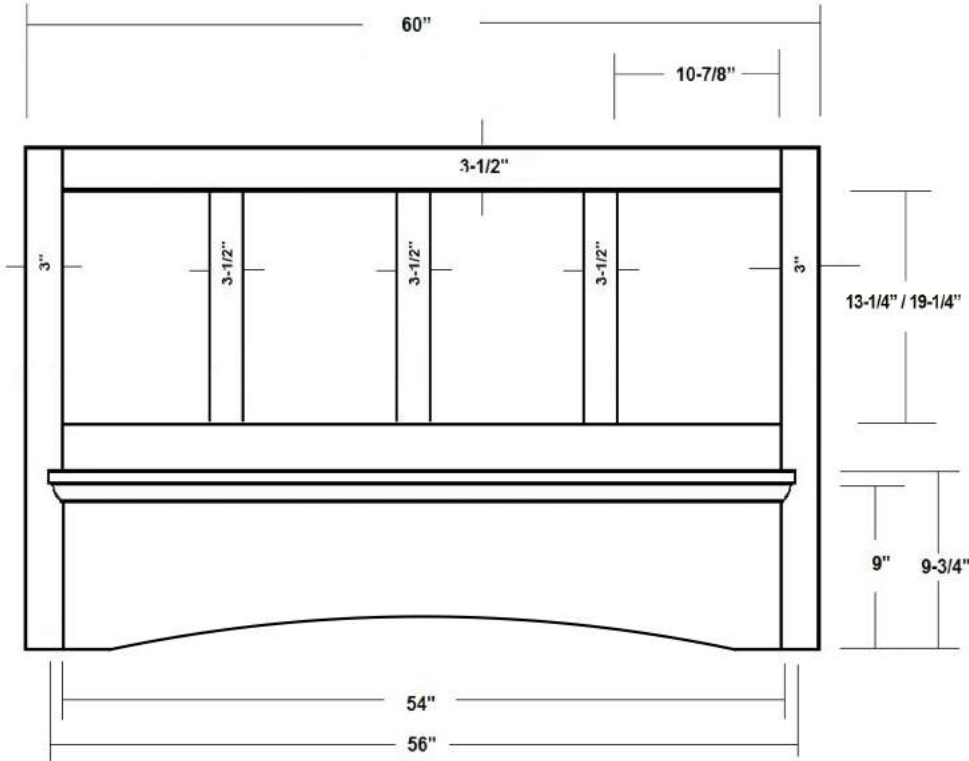
- Hardwood Plywood and Solid Lumber Construction
- 1/2" Rear Plywood Stretchers for wall mounting
- Accepts SY-HLB series Powder Coated or Stainless Steel Liners (*sold separately*)
- Select from 300, 400 or 600 CFM Broan Ventilation power packs (*sold separately*) or
- *Ascension 350SL, 350SS, 500SS and 620SS CFM Ventilation power packs (sold separately)* or
- *Ascension 1200 CFM Professional Ventilators (requires HLZ series Liners)*
- Available in Alder, Cherry, Hickory, Maple and Red Oak
- Designed to be used with customer supplied cabinet doors
- Increased Depth option available



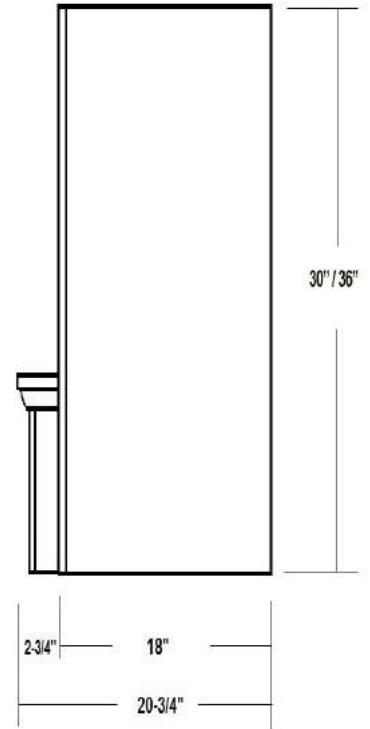


# Arched Plain Valance Mantel Range Hood

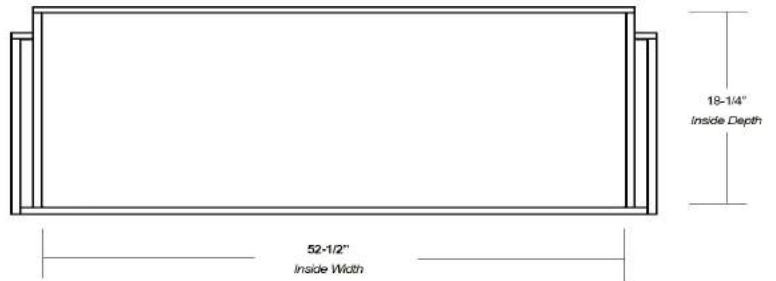
Front View



Side View



Item #	Dimensions (h) x (w) x (d)	Liner	Liner
SY-WMHAP6030	30" x 60" x 20-3/4"	SY-HLB-48	SY-HLZ-48
SY-WMHAP6036	36" x 60" x 20-3/4"	SY-HLB-48	SY-HLZ-48



- Hardwood Plywood and Solid Lumber Construction
- 1/2" Rear Plywood Stretchers for wall mounting
- Accepts SY-HLB series Powder Coated or Stainless Steel Liners (*sold separately*)
- Select from 300, 400 or 600 CFM Broan Ventilation power packs (*sold separately*) or
- *Ascension 350SL, 350SS, 500SS and 620SS CFM Ventilation power packs (sold separately) or*
- *Ascension 1200 CFM Professional Ventilators (requires HLZ series Liners)*
- Available in Alder, Cherry, Hickory, Maple and Red Oak
- Designed to be used with customer supplied cabinet doors
- Increased Depth option available

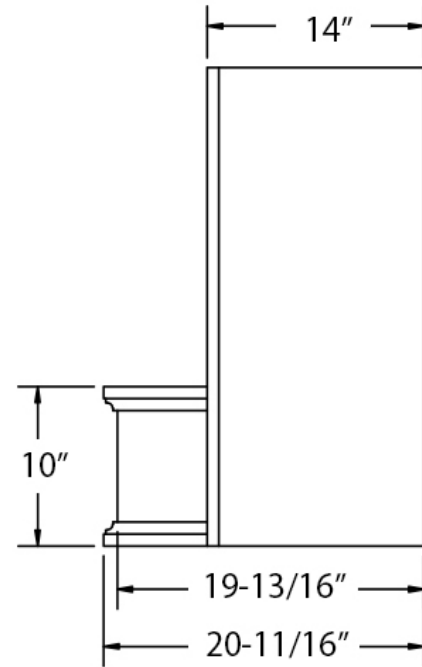
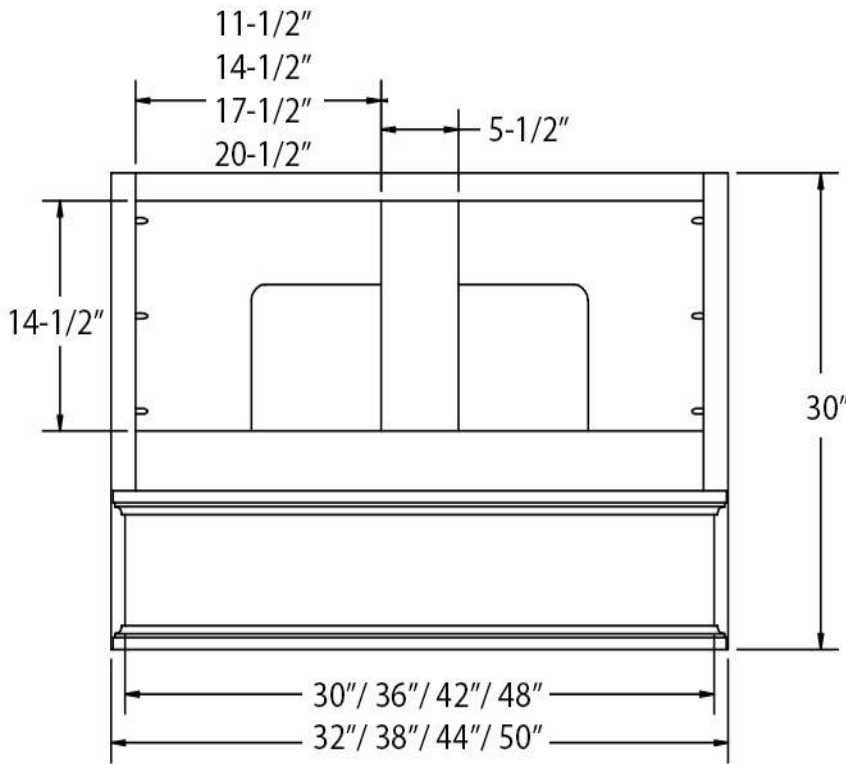


# Decorative Mantel Range Hood

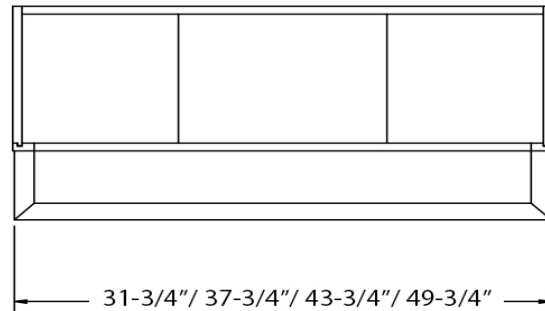


**Front View**

**Side View**



**Bottom View**



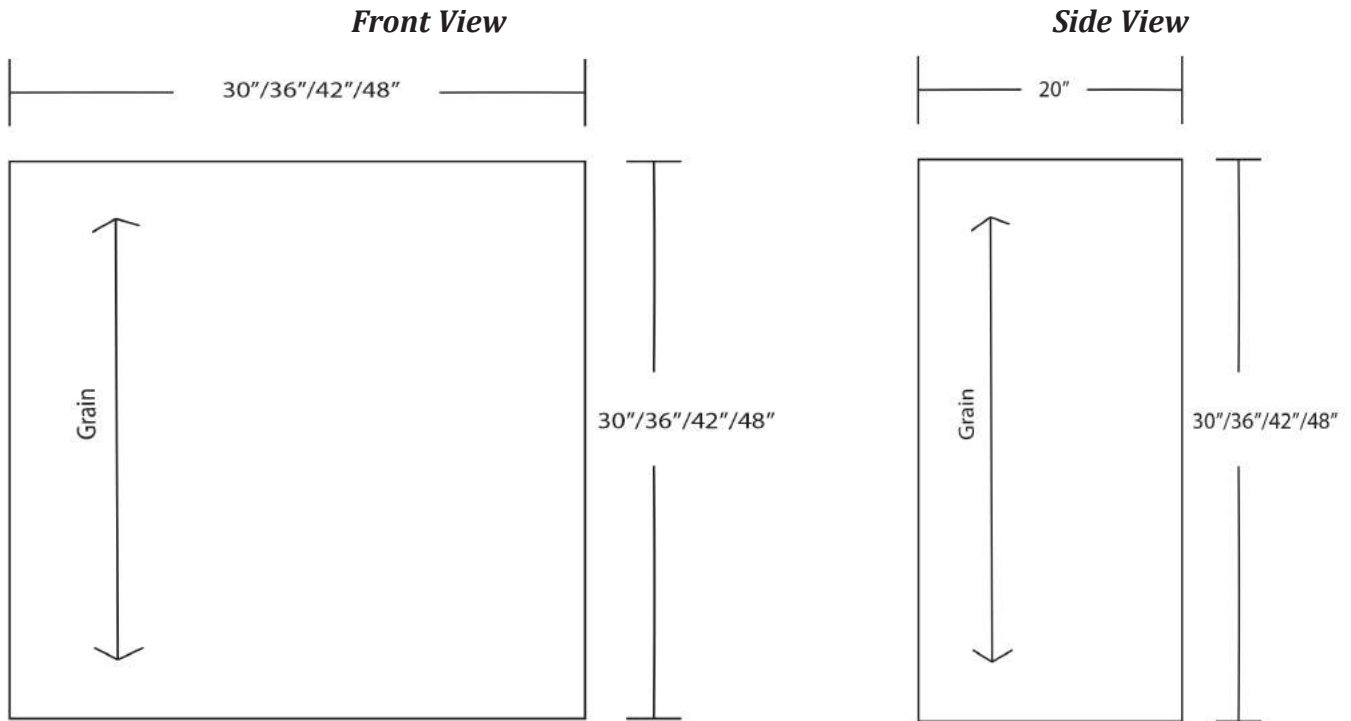
Item #	Dimensions (h) x (w) x (d)	Liner	Liner
SY-DMH32	30" x 32" x 20-11/16"	SY-HLB-30	SY-HLZ-30
SY-DMH38	30" x 38" x 20-11/16"	SY-HLB-36	SY-HLZ-36
SY-DMH44	30" x 44" x 20-11/16"	SY-HLB-42	SY-HLZ-42
SY-DMH50	30" x 50" x 20-11/16"	SY-HLB-48	SY-HLZ-48

- Hardwood Plywood and Solid Lumber Construction
- 1/2" Rear Plywood Stretchers for wall mounting
- Accepts SY-HLB series Powder Coated or Stainless Steel Liners (*sold separately*)
- Select from 300, 400 and 600 CFM Broan Ventilation power packs (*sold separately*) or
- *Ascension 350SL, 350SS, 500SS and 620SS CFM Ventilation power packs (sold separately) or*
- *30" and 36" models accept Ascension 900 CFM Professional Ventilators (requires HLZ series Liners)*
- *42" and 48" models accept Ascension 1200 CFM Professional Ventilators (requires HLZ series Liners)*
- Available in Alder, Cherry, Hickory, Maple and Red Oak
- Designed to be used with customer supplied cabinet doors
- Increased Height and Depth options available

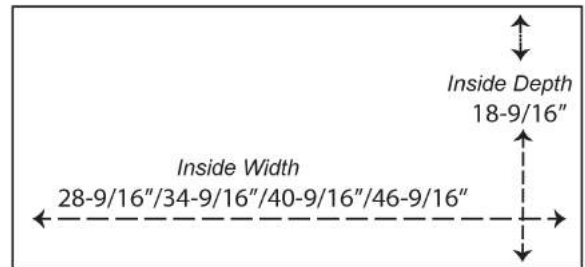




# Contemporary Box Range Hood



Item #	Dimensions (h) x (w) x (d)	Liner	Liner
SY-WBXH-3030	30" X 30" X 20"	SY-HLB-30	SY-HLZ-30
SY-WBXH-3630	30" X 36" X 20"	SY-HLB-36	SY-HLZ-36
SY-WBXH-4230	30" X 42" X 20"	SY-HLB-42	SY-HLZ-42
SY-WBXH-4830	30" X 48" X 20"	SY-HLB-48	SY-HLZ-48
SY-WBXH-3036	36" X 30" X 20"	SY-HLB-30	SY-HLZ-30
SY-WBXH-3636	36" X 36" X 20"	SY-HLB-36	SY-HLZ-36
SY-WBXH-4236	36" X 42" X 20"	SY-HLB-42	SY-HLZ-42
SY-WBXH-4836	36" X 48" X 20"	SY-HLB-48	SY-HLZ-48
SY-WBXH-3042	42" X 30" X 20"	SY-HLB-30	SY-HLZ-30
SY-WBXH-3642	42" X 36" X 20"	SY-HLB-36	SY-HLZ-36
SY-WBXH-4242	42" X 42" X 20"	SY-HLB-42	SY-HLZ-42
SY-WBXH-4842	42" X 48" X 20"	SY-HLB-48	SY-HLZ-48
SY-WBXH-3048	48" X 30" X 20"	SY-HLB-30	SY-HLZ-30
SY-WBXH-3648	48" X 36" X 20"	SY-HLB-36	SY-HLZ-36
SY-WBXH-4248	48" X 42" X 20"	SY-HLB-42	SY-HLZ-42
SY-WBXH-4848	48" X 48" X 20"	SY-HLB-48	SY-HLZ-48



- Hardwood Plywood and Lumber Construction
- 1/2" Rear Plywood Stretchers for wall mounting
- Accepts SY-HLB series Powder Coated or Stainless Steel Liners (*sold separately*)
- Select from 300, 400 and 600 CFM Broan Ventilation power packs (*sold separately*) or Ascension 350SL, 350SS, 500SS and 620SS CFM Ventilation power packs (*sold separately*) or
- 30" and 36" models accept Ascension 900 CFM Professional Ventilators (*requires HLZ series liners*)
- 42" and 48" models accept Ascension 1200 CFM Professional Ventilators (*requires HLZ series liners*)
- Available in Alder, Cherry, Hickory, Maple, Red Oak, and White Oak
- Increased Depth option available

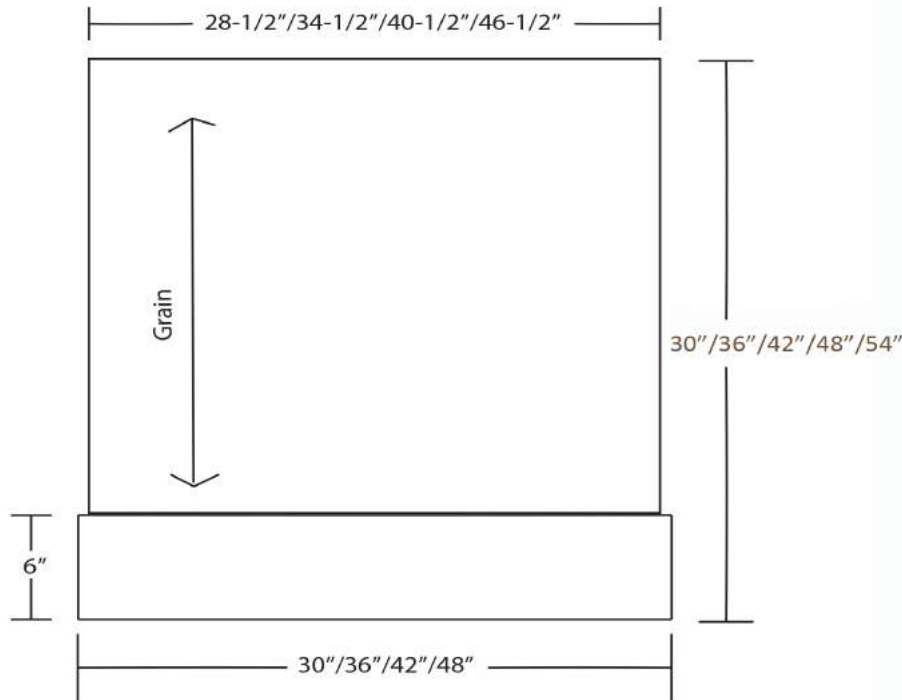




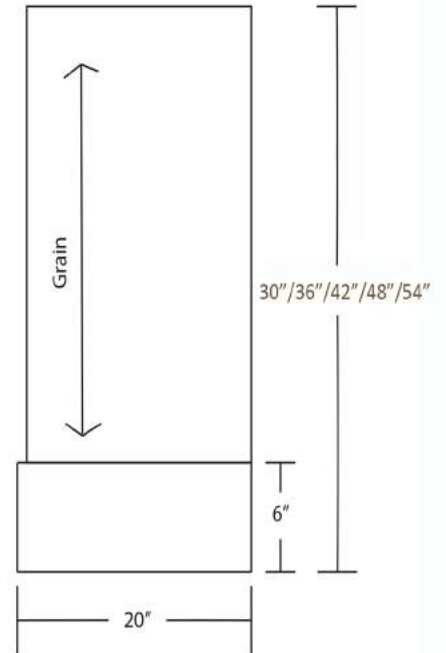
# Detachable 2 Piece Box Range Hood



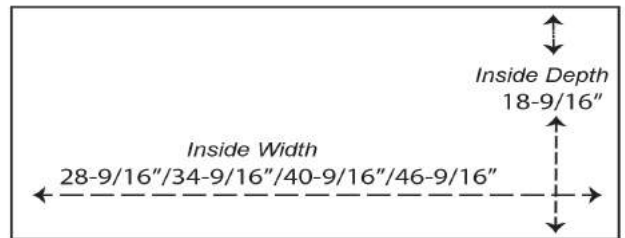
**Front View**



**Side View**



Item #	Dimensions (h) x (w) x (d)	Liner	Liner
SY-WBXHDBS-30	6" X 30" X 20"	SY-HLB-30	SY-HLZ-30
SY-WBXHDBS-36	6" X 36" X 20"	SY-HLB-36	SY-HLZ-36
SY-WBXHDBS-42	6" X 42" X 20"	SY-HLB-42	SY-HLZ-42
SY-WBXHDBS-48	6" X 48" X 20"	SY-HLB-48	SY-HLZ-48



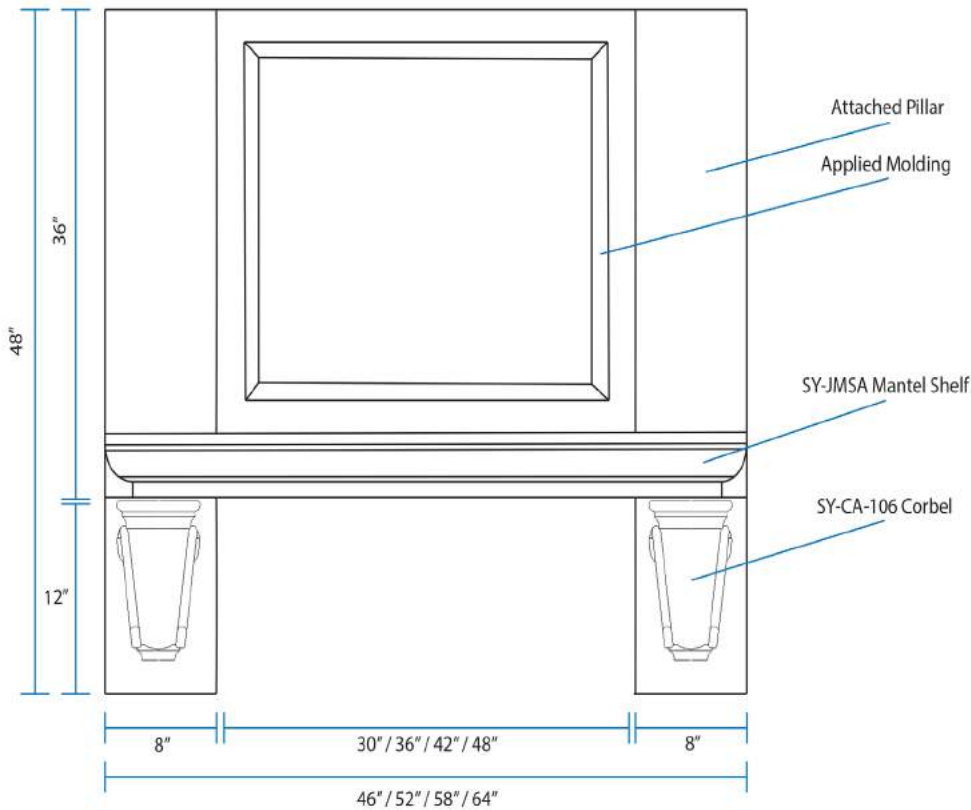
- Hardwood Lumber and Plywood Construction
- 1/2" Rear Plywood Stretchers for wall mounting
- Accepts SY-HLB series Powder Coated or Stainless Steel Liners (*sold separately*)
- Select from 300, 400 and 600 CFM Broan Ventilation power packs (*sold separately*) or
- *Ascension 350SL, 350SS, 500SS and 620SS CFM Ventilation power packs (sold separately) or*
- *30" and 36" models accept Ascension 900 CFM Professional Ventilators (requires HLZ series liners)*
- *42" and 48" models accept Ascension 1200 CFM Professional Ventilators (requires HLZ series liners)*
- Available in Alder, Cherry, Hickory, Maple, Red Oak, White Oak, and Paint Grade
- Tops and Bottoms Sold Separately (SEE PRICE LIST)
- Mix and Match Species
- Shiplap Top Option available
- Increased Depth option available



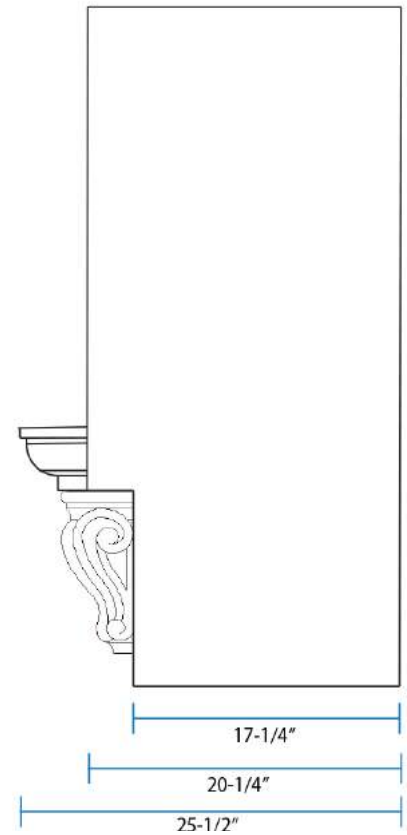


# Classic Mantel Range Hood

Front View



Side View



Item #	Dimensions (h) x (w) x (d)	Liner	Liner
SY-CMH46	48" x 46" x 25-1/2"	SY-HLB-30	SY-HLZ-30
SY-CMH52	48" x 52" x 25-1/2"	SY-HLB-36	SY-HLZ-36
SY-CMH58	48" x 58" x 25-1/2"	SY-HLB-42	SY-HLZ-42
SY-CMH64	48" x 64" x 25-1/2"	SY-HLB-48	SY-HLZ-48



- Hardwood Plywood and Solid Lumber Construction
- 1/2" Rear Plywood Stretchers for wall mounting
- Accepts SY-HLB series Powder Coated or Stainless Steel Liners (*sold separately*)
- Select from 300, 400 and 600 CFM Broan Ventilation power packs (*sold separately*) or
- *Ascension 350SL, 350SS, 500SS and 620SS CFM Ventilation power packs (sold separately) or*
- *30" and 36" models accept Ascension 900 CFM Professional Ventilators (requires HLZ series Liners)*
- *42" and 48" models accept Ascension 1200 CFM Professional Ventilators (requires HLZ series Liners)*
- Available in Alder, Cherry, Hickory, Maple and Red Oak
- Increased Height and Depth options available
- Alternate Corbel designs available

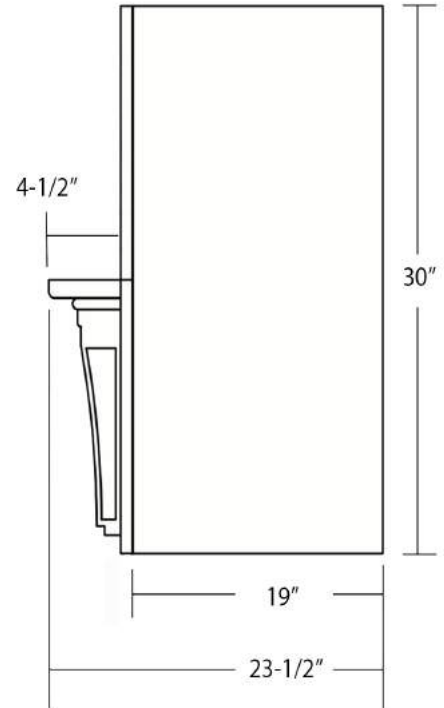
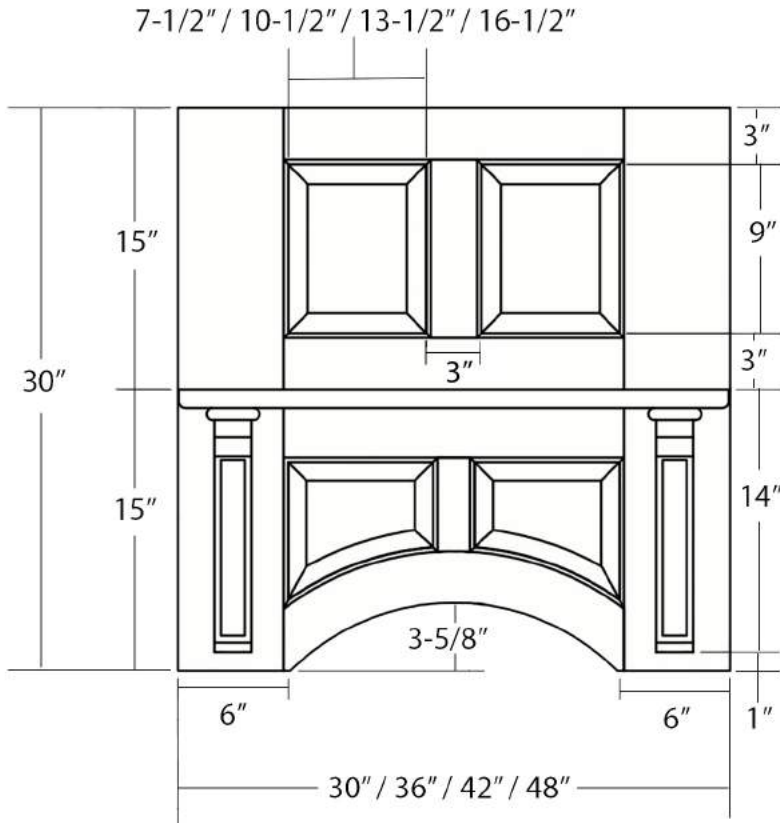


# Connoisseur Mantel Range Hood

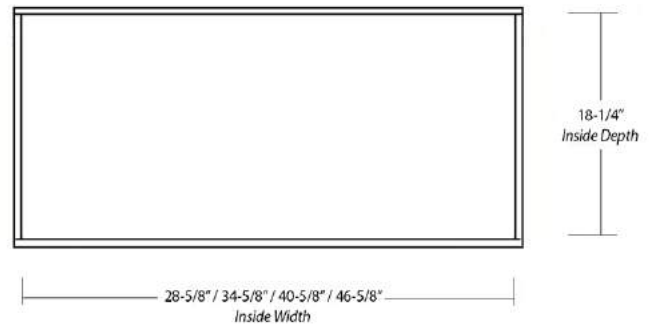


Front View

Side View



Item #	Dimensions (h) x (w) x (d)	Liner	Liner
SY-WMDP-3030	30" X 30" X 23-1/2"	SY-HLB-30	SY-HLZ-30
SY-WMDP-3630	30" X 36" X 23-1/2"	SY-HLB-36	SY-HLZ-36
SY-WMDP-4230	30" X 42" X 23-1/2"	SY-HLB-42	SY-HLZ-42
SY-WMDP-4830	30" X 48" X 23-1/2"	SY-HLB-48	SY-HLZ-48



- Hardwood Plywood and Solid Lumber Construction
- 1/2" Rear Plywood Stretchers for wall mounting
- Accepts SY-HLB series Powder Coated or Stainless Steel Liners (*sold separately*)
- Select from 250, 390 and 500 CFM Broan Ventilation power packs (*sold separately*) or
- *Ascension 350SL, 350SS and 500SS CFM Ventilation power packs (sold separately) or*
- *30" and 36" models accept Ascension 900 CFM Professional Ventilators (requires HLZ series Liners)*
- *42" and 48" models accept Ascension 1200 CFM Professional Ventilators (requires HLZ series Liners)*
- Available in Cherry, Maple and Red Oak
- Detachable front Upper Panel for easy access
- Increased Depth option available
- Alternate Corbel designs available

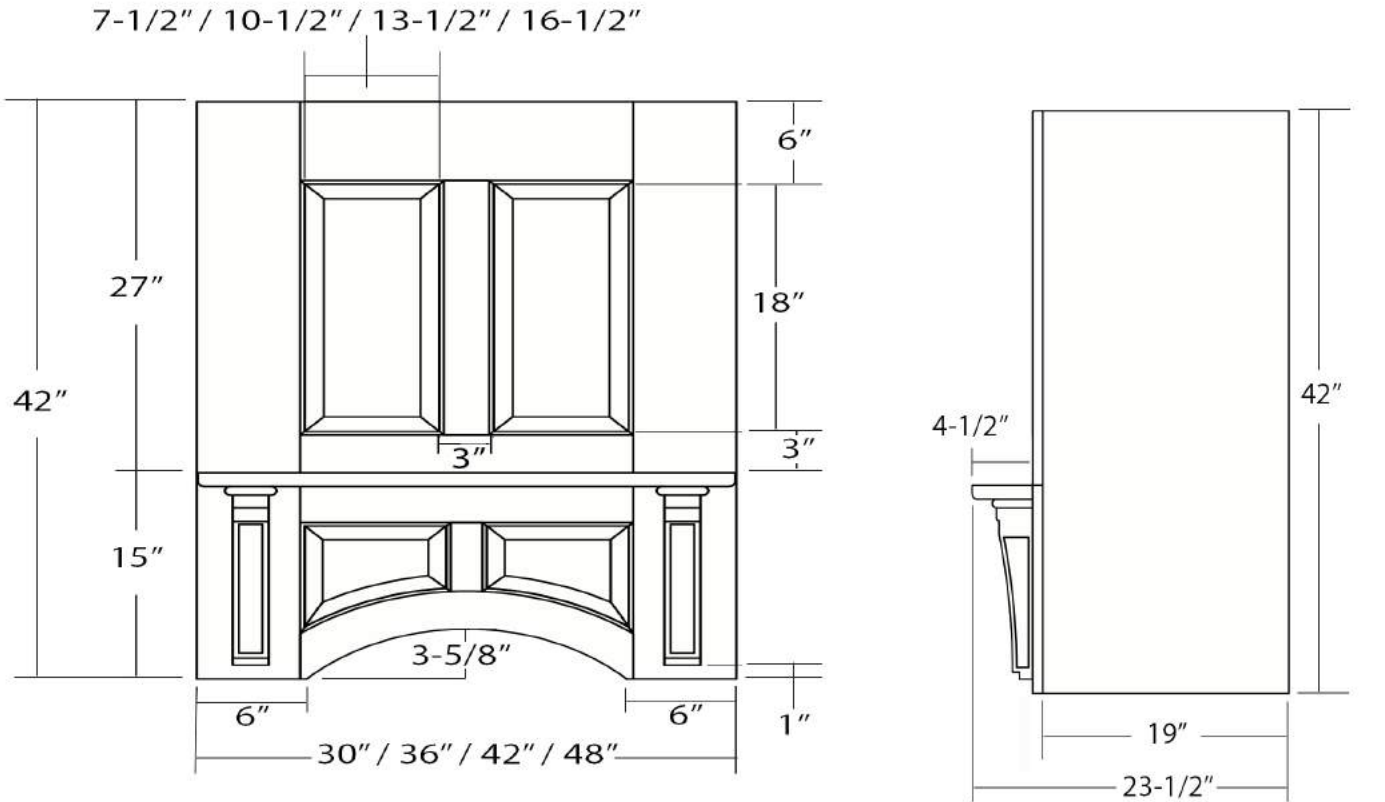




# Connoisseur Mantel Range Hood

Front View

Side View



Item #	Dimensions (h) x (w) x (d)	Liner	Liner
SY-WMDP-3042	42" X 30" X 23-1/2"	SY-HLB-30	SY-HLZ-30
SY-WMDP-3642	42" X 36" X 23-1/2"	SY-HLB-36	SY-HLZ-36
SY-WMDP-4242	42" X 42" X 23-1/2"	SY-HLB-42	SY-HLZ-42
SY-WMDP-4842	42" X 48" X 23-1/2"	SY-HLB-48	SY-HLZ-48



- Hardwood Plywood and Solid Lumber Construction
- 1/2" Rear Plywood Stretchers for wall mounting
- Accepts SY-HLB series Powder Coated or Stainless Steel Liners (*sold separately*)
- Select from 300, 400 and 600 CFM Broan Ventilation power packs (*sold separately*) or
- *Ascension 350SL, 350SS, 500SS and 620SS CFM Ventilation power packs (sold separately) or*
- *30" and 36" models accept Ascension 900 CFM Professional Ventilators (requires HLZ series Liners)*
- *42" and 48" models accept Ascension 1200 CFM Professional Ventilators (requires HLZ series Liners)*
- Available in Cherry, Maple and Red Oak
- Detachable front Upper Panel for easy access
- Increased Depth option available
- Alternate Corbel designs available

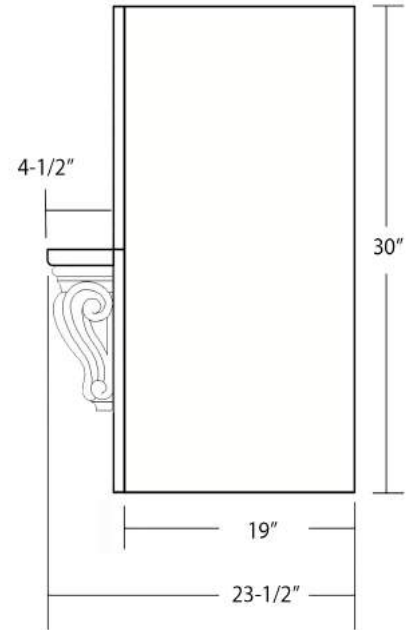
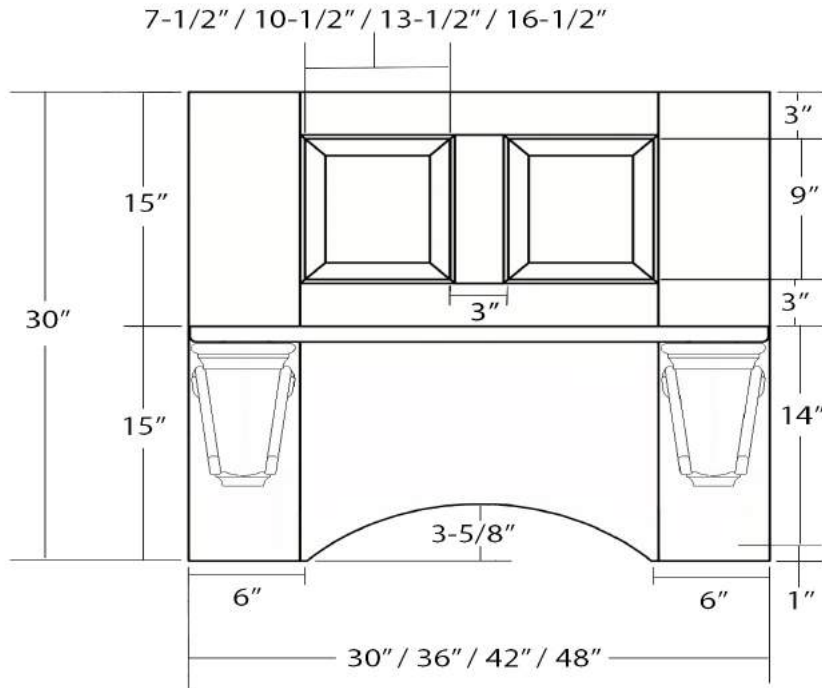


# Connoisseur Classic Mantel Range Hood

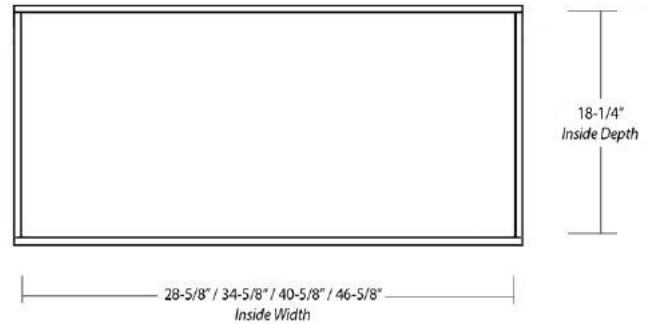


Front View

Side View



Item #	Dimensions (h) x (w) x (d)	Liner	Liner
SY-WMDPC-3030	42" X 30" X 23-1/2"	SY-HLB-30	SY-HLZ-30
SY-WMDPC-3630	42" X 36" X 23-1/2"	SY-HLB-36	SY-HLZ-36
SY-WMDPC-4230	42" X 42" X 23-1/2"	SY-HLB-42	SY-HLZ-42
SY-WMDPC-4830	42" X 48" X 23-1/2"	SY-HLB-48	SY-HLZ-48



- Hardwood Plywood and Solid Lumber Construction
- 1/2" Rear Plywood Stretchers for wall mounting
- Accepts SY-HLB series Powder Coated or Stainless Steel Liners (*sold separately*)
- Select from 300, 400 and 600 CFM Broan Ventilation power packs (*sold separately*) or
- *Ascension 350SL, 350SS, 500SS and 620SS CFM Ventilation power packs (sold separately) or*
- *30" and 36" models accept Ascension 900 CFM Professional Ventilators (requires HLZ series Liners)*
- *42" and 48" models accept Ascension 1200 CFM Professional Ventilators (requires HLZ series Liners)*
- Available in Cherry, Maple and Red Oak
- Detachable front Upper Panel for easy access
- Increased Depth option available
- Alternate Corbel designs available

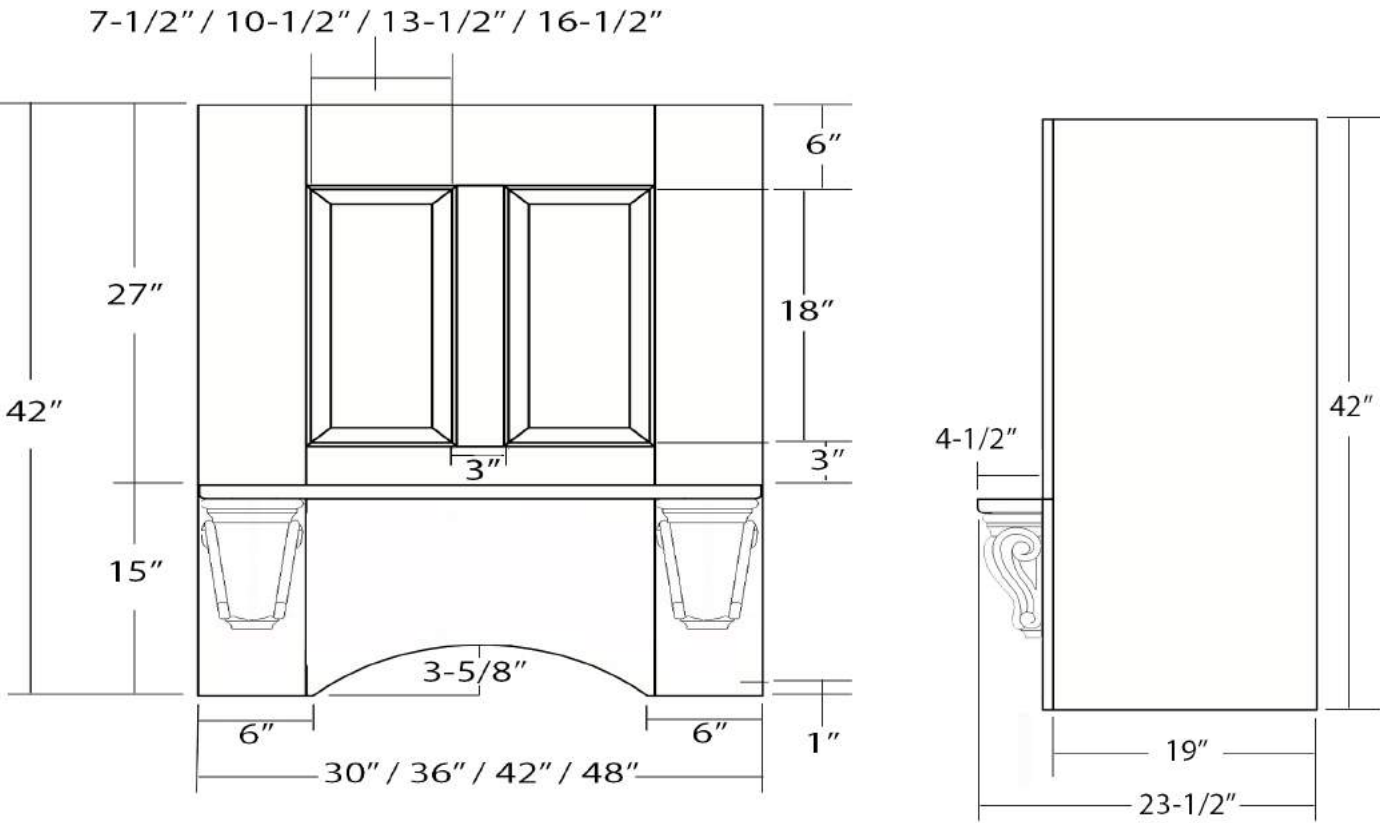




# Connoisseur Classic Mantel Range Hood

Front View

Side View



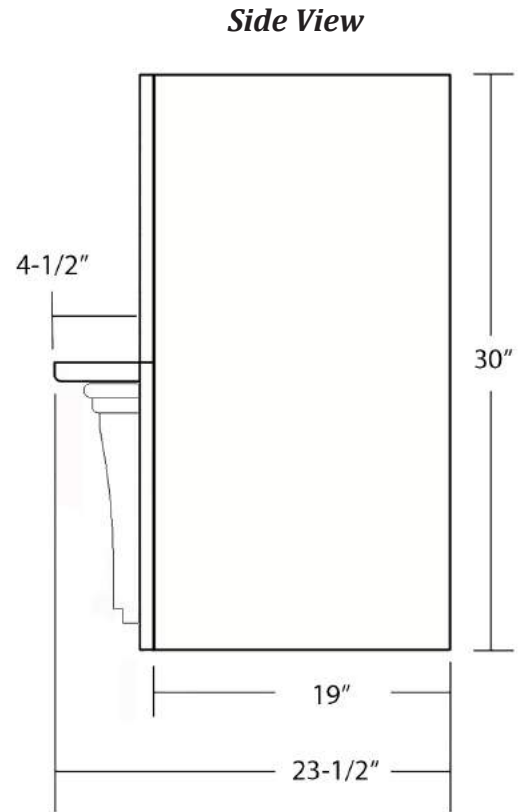
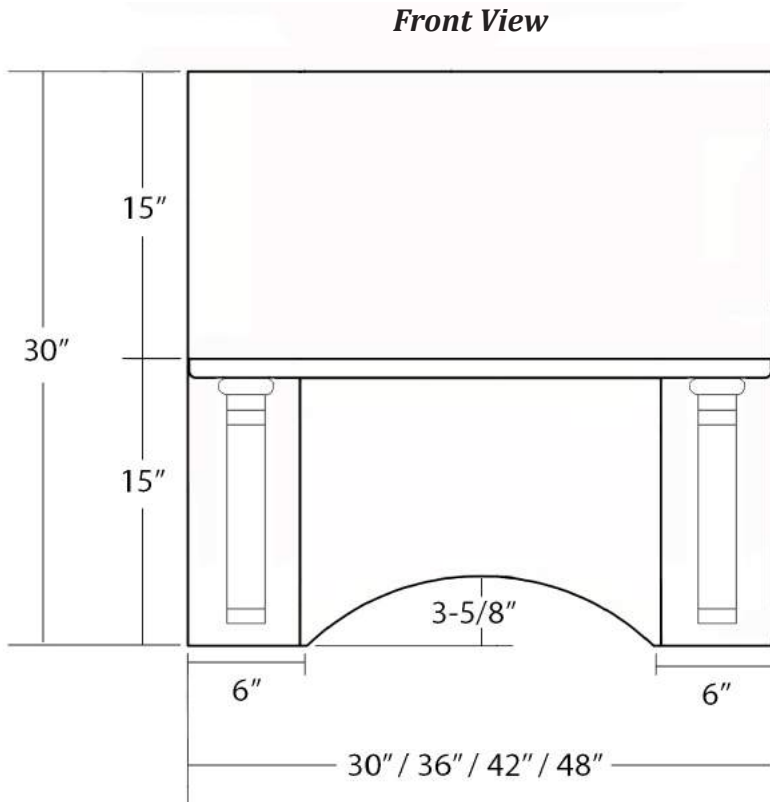
Item #	Dimensions (h) x (w) x (d)	Liner	Liner
SY-WMDPC-3042	42" X 30" X 23-1/2"	SY-HLB-30	SY-HLZ-30
SY-WMDPC-3642	42" X 36" X 23-1/2"	SY-HLB-36	SY-HLZ-36
SY-WMDPC-4242	42" X 42" X 23-1/2"	SY-HLB-42	SY-HLZ-42
SY-WMDPC-4842	42" X 48" X 23-1/2"	SY-HLB-48	SY-HLZ-48



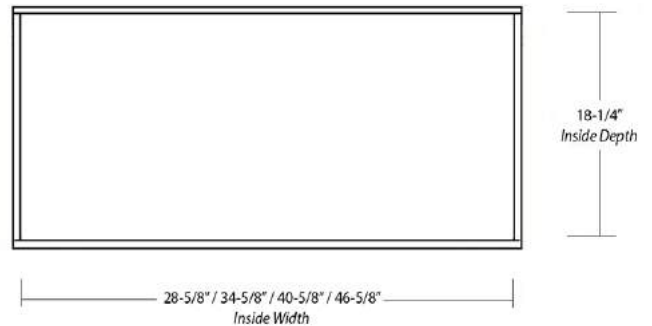
- Hardwood Plywood and Solid Lumber Construction
- 1/2" Rear Plywood Stretchers for wall mounting
- Accepts SY-HLB series Powder Coated or Stainless Steel Liners (sold separately)
- Select from 300, 400 and 600 CFM Broan Ventilation power packs (sold separately) or
- Ascension 350SL, 350SS, 500SS and 620SS CFM Ventilation power packs (sold separately) or
- 30" and 36" models accept Ascension 900 CFM Professional Ventilators (requires HLZ series Liners)
- 42" and 48" models accept Ascension 1200 CFM Professional Ventilators (requires HLZ series Liners)
- Available in Cherry, Maple and Red Oak
- Detachable front Upper Panel for easy access
- Increased Depth option available
- Alternate Corbel designs available



# Connoisseur Shaker Mantel Range Hood



Item #	Dimensions (h) x (w) x (d)	Liner	Liner
SY-WMDPS-3030	42" X 30" X 23-1/2"	SY-HLB-30	SY-HLZ-30
SY-WMDPS-3630	42" X 36" X 23-1/2"	SY-HLB-36	SY-HLZ-36
SY-WMDPS-4230	42" X 42" X 23-1/2"	SY-HLB-42	SY-HLZ-42
SY-WMDPS-4830	42" X 48" X 23-1/2"	SY-HLB-48	SY-HLZ-48



- Hardwood Plywood and Solid Lumber Construction
- 1/2" Rear Plywood Stretchers for wall mounting
- Accepts SY-HLB series Powder Coated or Stainless Steel Liners (*sold separately*)
- Select from 3000, 400 and 600 CFM Broan Ventilation power packs (*sold separately*) or
- Ascension 350SL, 350SS, 500SS and 620SS CFM Ventilation power packs (*sold separately*) or
- 30" and 36" models accept Ascension 900 CFM Professional Ventilators (*requires HLZ series Liners*)
- 42" and 48" models accept Ascension 1200 CFM Professional Ventilators (*requires HLZ series Liners*)
- Available in Cherry, Maple and Red Oak
- Detachable front Upper Panel for easy access
- Increased Depth option available
- Alternate Corbel designs available

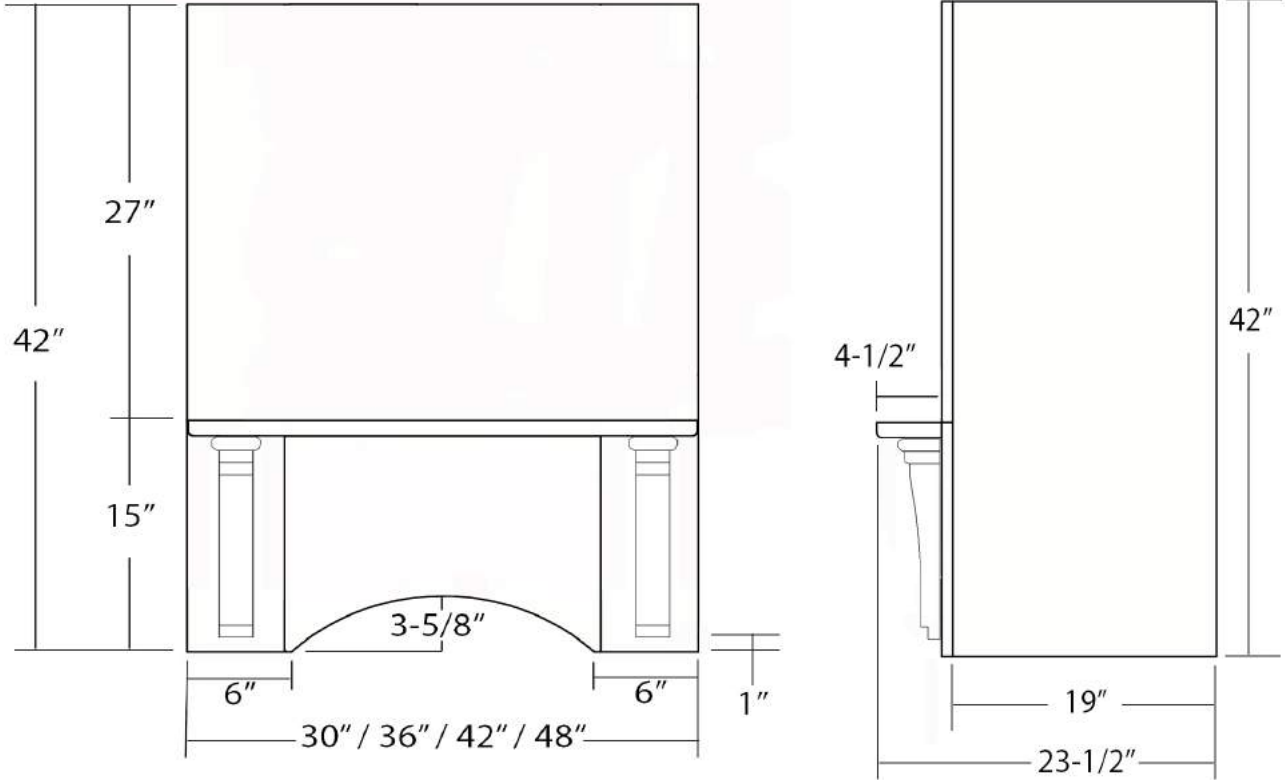




# Connoisseur Shaker Mantel Range Hood

Front View

Side View



Item #	Dimensions (h) x (w) x (d)	Liner	Liner
SY-WMDPS-3042	42" X 30" X 23-1/2"	SY-HLB-30	SY-HLZ-30
SY-WMDPS-3642	42" X 36" X 23-1/2"	SY-HLB-36	SY-HLZ-36
SY-WMDPS-4242	42" X 42" X 23-1/2"	SY-HLB-42	SY-HLZ-42
SY-WMDPS-4842	42" X 48" X 23-1/2"	SY-HLB-48	SY-HLZ-48



- Hardwood Plywood and Solid Lumber Construction
- 1/2" Rear Plywood Stretchers for wall mounting
- Accepts SY-HLB series Powder Coated or Stainless Steel Liners (*sold separately*)
- Select from 3000, 400 and 600 CFM Broan Ventilation power packs (*sold separately*) or
- *Ascension 350SL, 350SS, 500SS and 620SS CFM Ventilation power packs (sold separately) or*
- *30" and 36" models accept Ascension 900 CFM Professional Ventilators (requires HLZ series Liners)*
- *42" and 48" models accept Ascension 1200 CFM Professional Ventilators (requires HLZ series Liners)*
- Available in Cherry, Maple and Red Oak
- Detachable front Upper Panel for easy access
- Increased Depth option available
- Alternate Corbel designs available

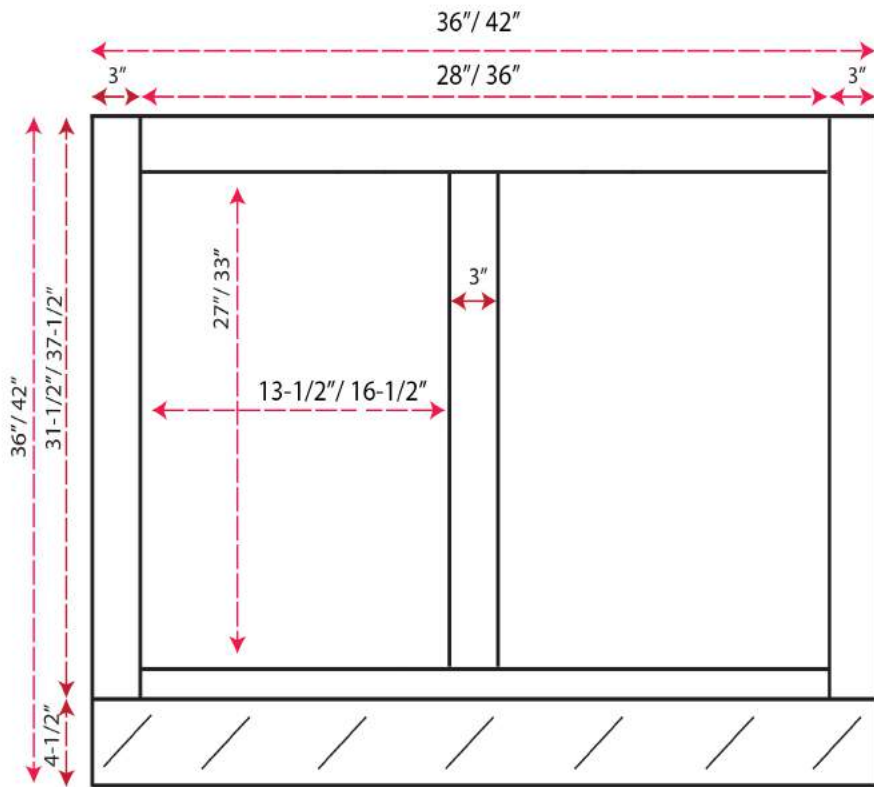




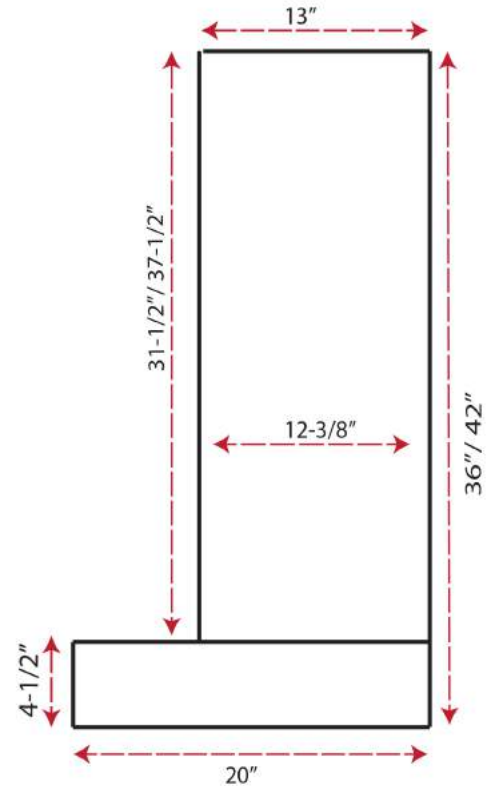
# Contemporary Mantel Range Hood



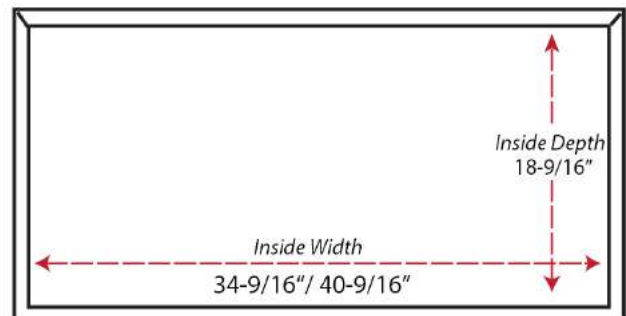
Front View



Side View



Item #	Dimensions (h) x (w) x (d)	Liner
SY-WMC3636	36" x 36" x 20"	SY-HLB-36
SY-WMC3642	42" x 36" x 20"	SY-HLB-36
SY-WMC4236	36" x 42" x 20"	SY-HLB-42
SY-WMC4242	42" x 42" x 20"	SY-HLB-42

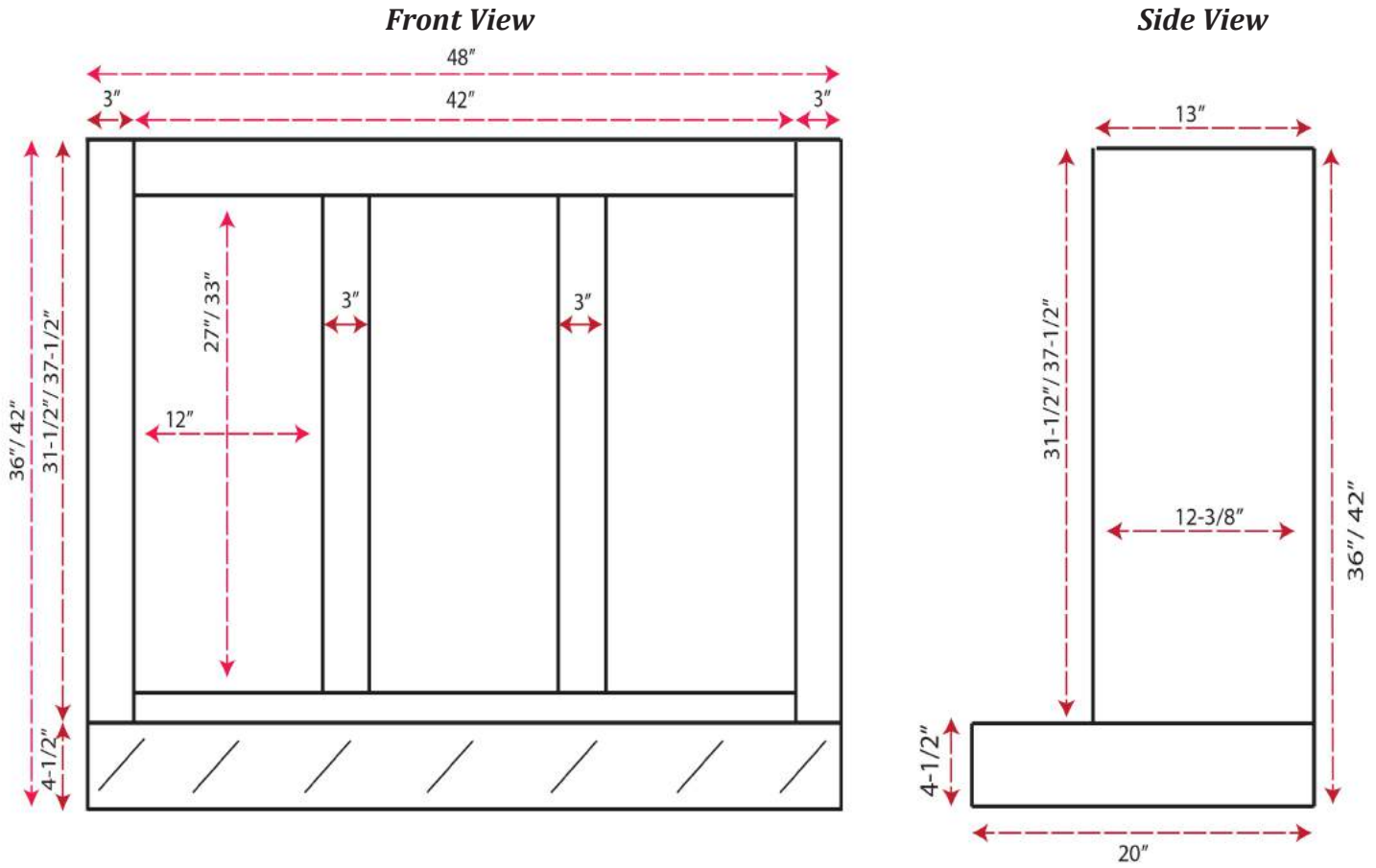


- Hardwood Plywood and Solid Lumber Construction
- 1/2" Rear Plywood Stretchers for wall mounting
- Accepts SY-HLB series Powder Coated or Stainless Steel Liners (sold separately)
- Select from 300, 400 and 600 CFM Broan Ventilation power packs (sold separately) or Ascension 350SL, 350SS, 500SS and 620SS CFM Ventilation power packs (sold separately)
- Available in Alder, Cherry, Hickory, Maple and Red Oak
- Designed to be used with customer supplied cabinet doors
- Increased Depth option available

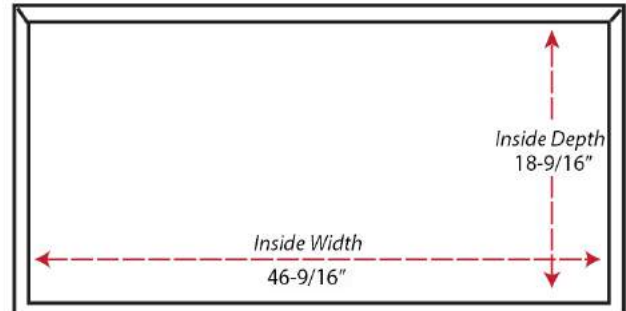




# Contemporary Mantel Range Hood



Item #	Dimensions (h) x (w) x (d)	Liner
SY-WMC4836	36" x 48" x 20"	SY-HLB-48
SY-WMC4842	42" x 48" x 20"	SY-HLB-48



- Hardwood Plywood and Solid Lumber Construction
- 1/2" Rear Plywood Stretchers for wall mounting
- Accepts SY-HLB series Powder Coated or Stainless Steel Liners (*sold separately*)
- Select from 300, 400 and 600 CFM Broan Ventilation power packs (*sold separately*) or
- *Ascension 350SL, 350SS, 500SS and 620SS CFM Ventilation power packs (sold separately)*
- Available in Alder, Cherry, Hickory, Maple and Red Oak
- Designed to be used with customer supplied cabinet doors
- Increased Depth option available

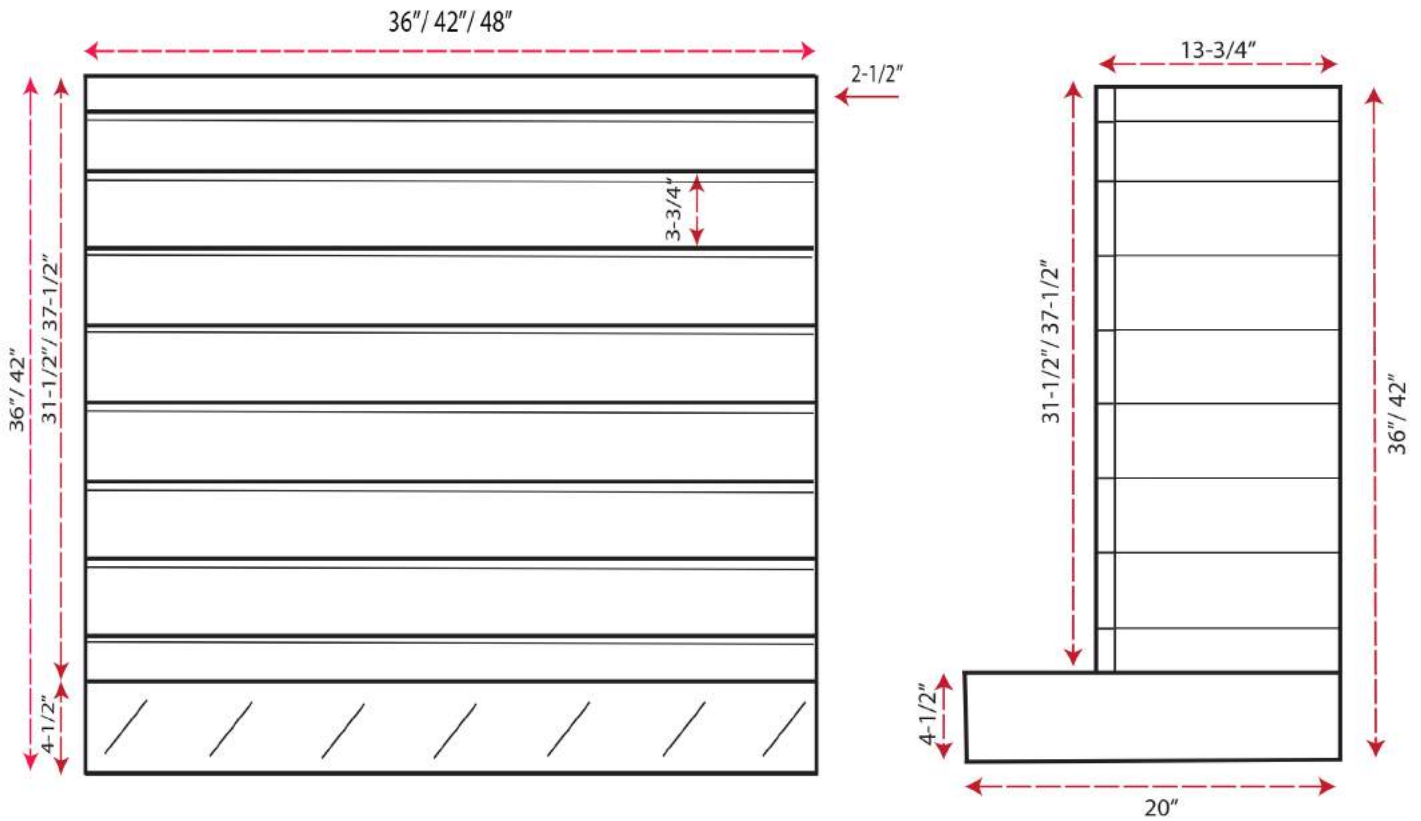


# Shiplap Mantel Range Hood

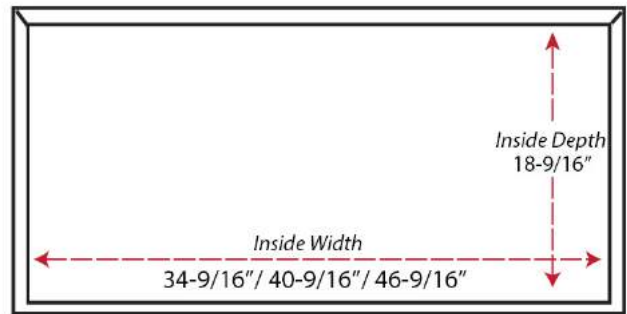


**Front View**

**Side View**



Item #	Dimensions (h) x (w) x (d)	Liner
SY-WMSL3636	36" x 36" x 20"	SY-HLB-36
SY-WMSL3642	42" x 36" x 20"	SY-HLB-36
SY-WMSL4236	36" x 42" x 20"	SY-HLB-42
SY-WMSL4242	42" x 42" x 20"	SY-HLB-42
SY-WMSL4836	36" x 48" x 20"	SY-HLB-48
SY-WMSL4842	42" x 48" x 20"	SY-HLB-48



- Hardwood Plywood and Solid Lumber Construction
- 1/2" Rear Plywood Stretchers for wall mounting
- Accepts SY-HLB series Powder Coated or Stainless Steel Liners (*sold separately*)
- Select from 300, 400 and 600 CFM Broan Ventilation power packs (*sold separately*) or *Ascension 350SL, 350SS, 500SS and 620SS CFM Ventilation power packs (sold separately)*
- Available in Alder, Cherry, Hickory, Maple, Red Oak, and White Oak
- Detachable Front Panel for easy access
- Increased Depth option available

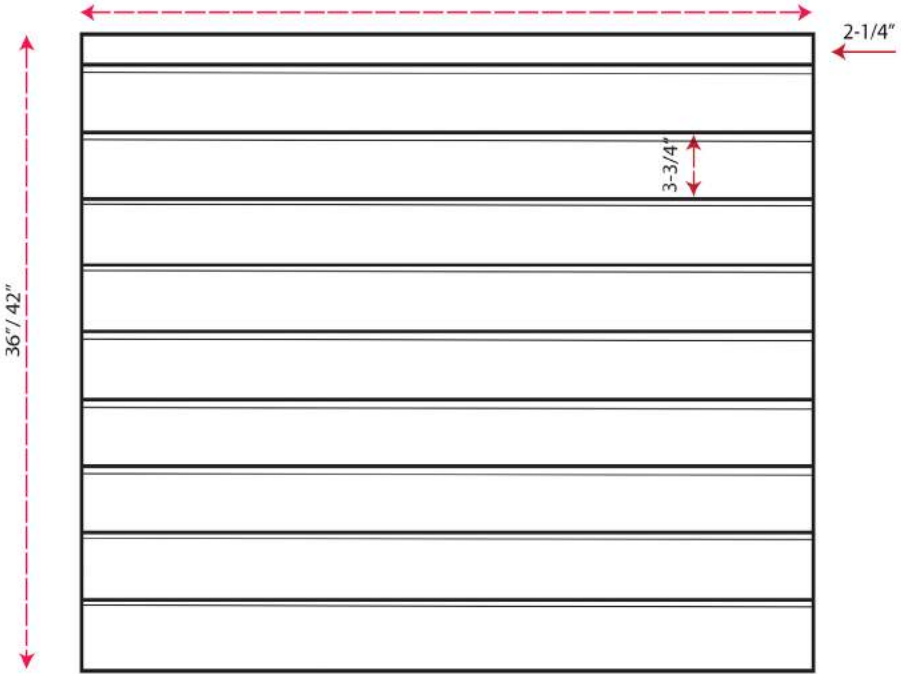




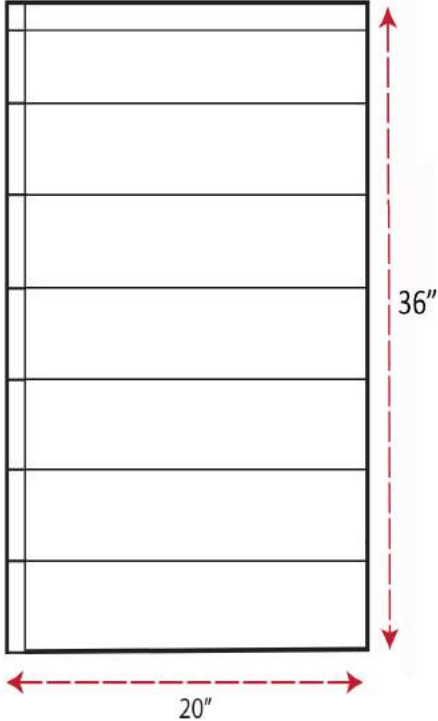
# Shi lap Box Range Hood

**Front View**

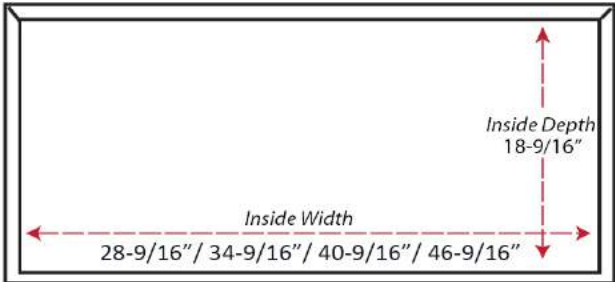
30"/36"/42"/48"



**Side View**



Item #	Dimensions (h) x (w) x (d)	Liner	Liner
SY-WSLB-3036	36" X 30" X 20"	SY-HLB-30	SY-HLZ-30
SY-WSLB-3042	42" X 30" X 20"	SY-HLB-30	SY-HLZ-30
SY-WSLB-3636	36" X 36" X 20"	SY-HLB-36	SY-HLZ-36
SY-WSLB-3642	42" X 36" X 20"	SY-HLB-36	SY-HLZ-36
SY-WSLB-4236	36" X 42" X 20"	SY-HLB-42	SY-HLZ-42
SY-WSLB-4242	42" X 42" X 20"	SY-HLB-42	SY-HLZ-42
SY-WSLB-4836	36" X 48" X 20"	SY-HLB-48	SY-HLZ-48
SY-WSLB-4842	42" X 48" X 20"	SY-HLB-48	SY-HLZ-48



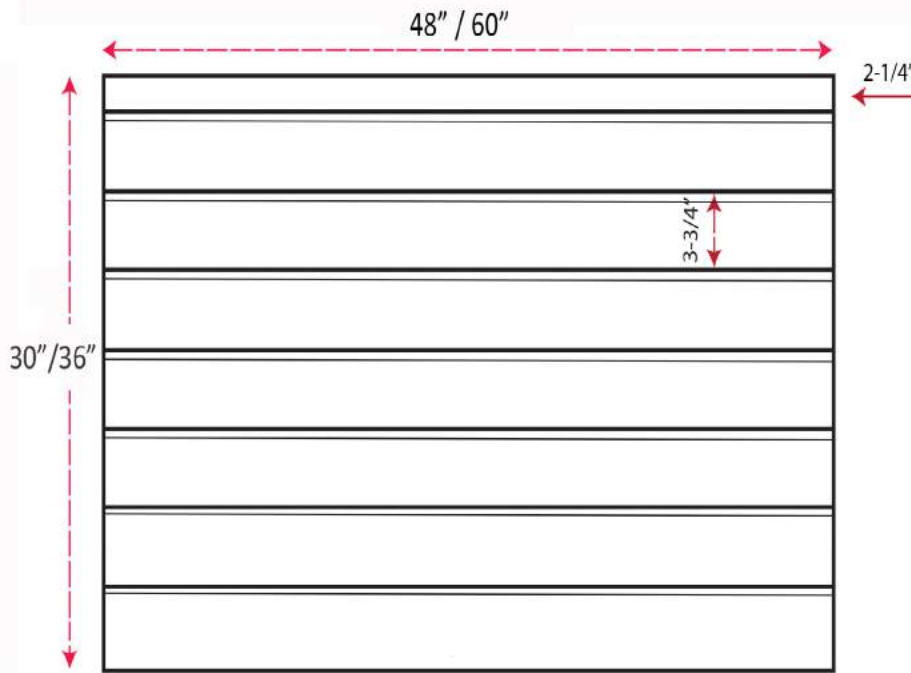
- Solid Lumber Construction
- 1/2" Rear Plywood Stretchers for wall mounting
- Accepts SY-HLB series Powder Coated or Stainless Steel Liners (*sold separately*)
- Select from 300, 400 and 600 CFM Broan Ventilation power packs (*sold separately*) or
- *Ascension 350SL, 350SS, 500SS and 620SS CFM Ventilation power packs (sold separately) or*
- *30" and 36" models accept Ascension 900 CFM Professional Ventilators (requires HLZ series liners)*
- *42" and 48" models accept Ascension 1200 CFM Professional Ventilators (requires HLZ series liners)*
- Available in Alder, Cherry, Hickory, Maple, Red Oak, and White Oak
- Detachable Front Panel for easy access
- Increased Depth option available



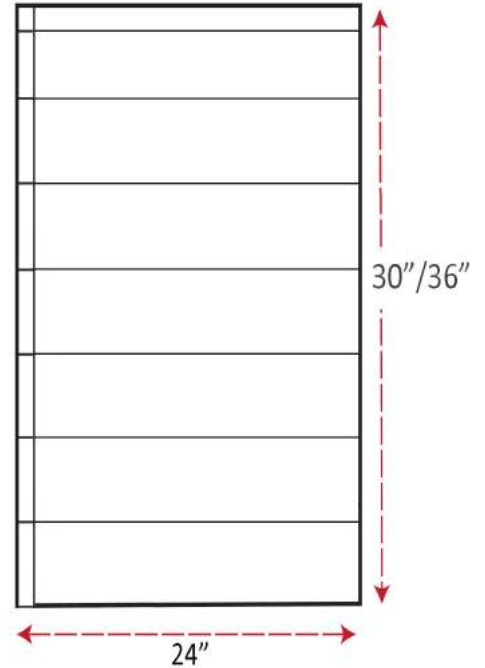
# Shiplap Box Range Hood w/Extra Depth



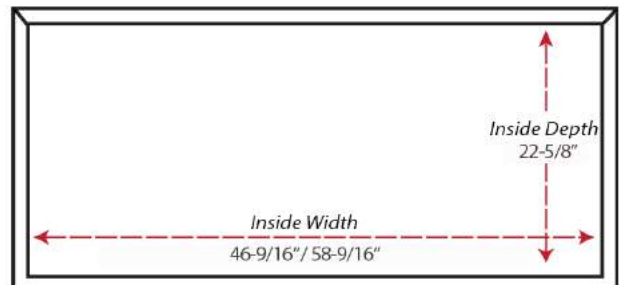
**Front View**



**Side View**



Item #	Dimensions (h) x (w) x (d)	Liner	Liner
SY-WSLB-4830L	30" X 48" X 24"	N/A	N/A
SY-WSLB-4836L	36" X 48" X 24"	N/A	N/A
SY-WSLB-6030L	30" X 60" X 24"	N/A	N/A
SY-WSLB-6036L	36" X 60" X 24"	N/A	N/A



- Solid Lumber Construction
- 1/2" Rear Plywood Stretchers for wall mounting
- This model is designed to use large ventilation units that are not available thru Castlewood
- To utilize Castlewood ventilation units, these hoods will need to be blocked up inside for custom fit
- Available in Alder, Cherry, Hickory, Maple, Red Oak, and White Oak
- Detachable Front Panel for easy access

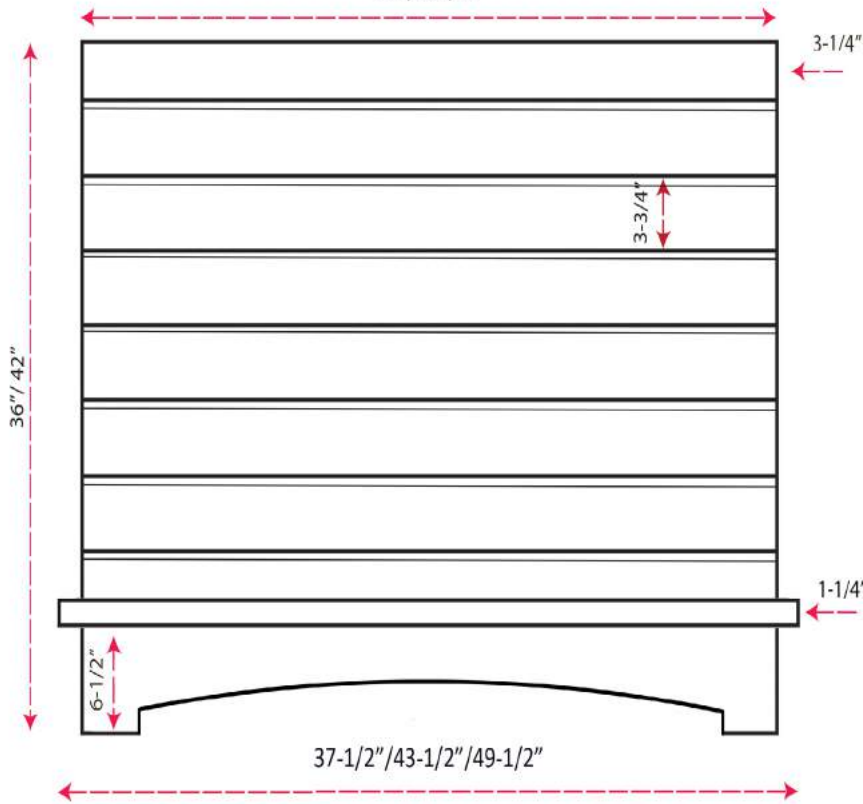




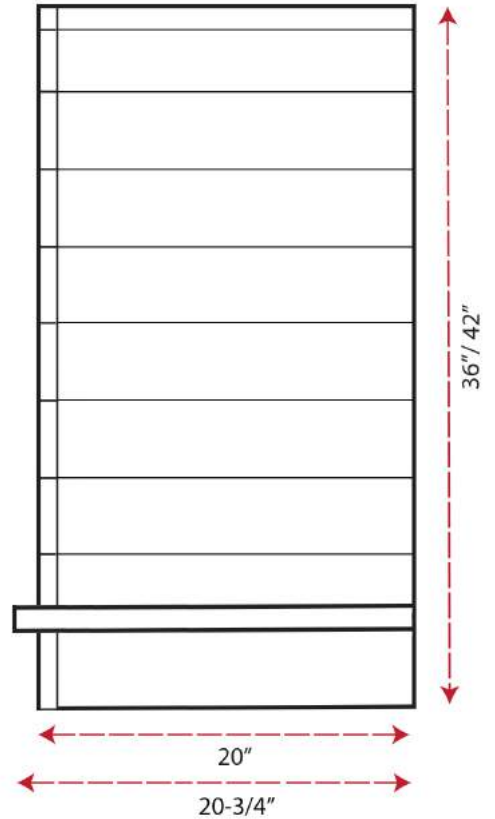
# Shiplap Arched Box Range Hood

Front View

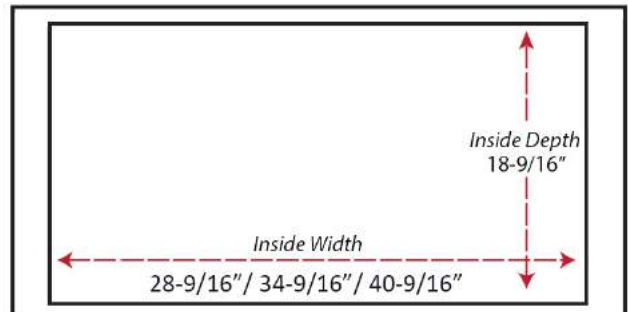
36"/42"/48"



Side View



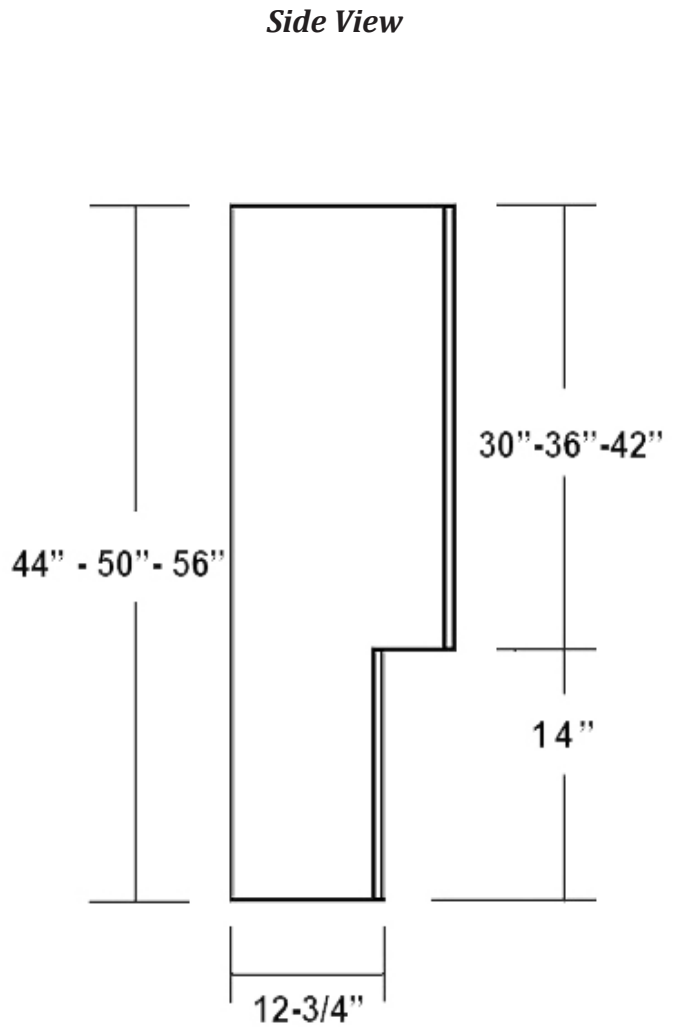
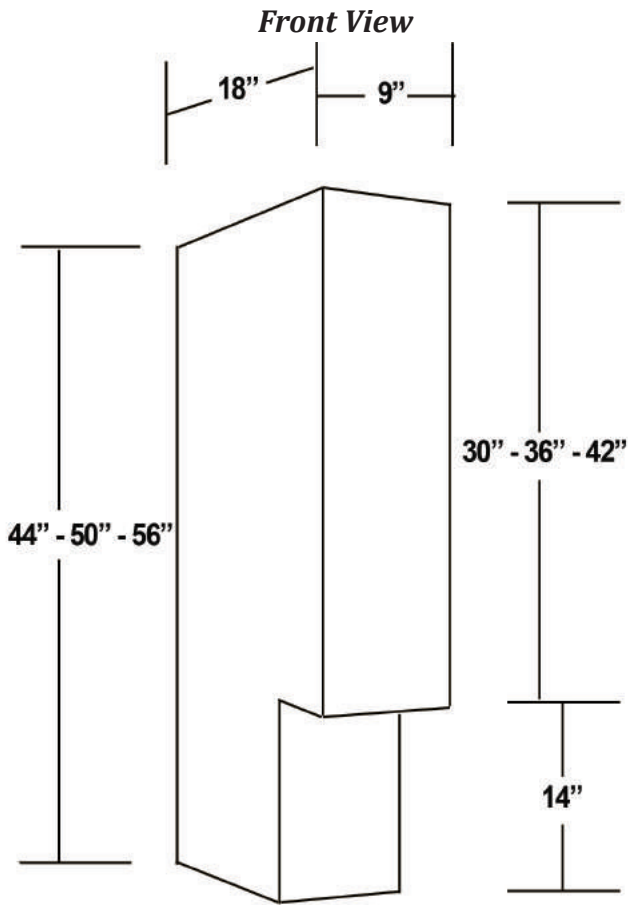
Item #	Dimensions (h) x (w) x (d)	Liner	Liner
SY-WSLBA-3636	36" x 36" x 20"	SY-HLB-30	SY-HLZ-30
SY-WSLBA-3642	42" x 36" x 20"	SY-HLB-30	SY-HLZ-30
SY-WSLBA-4236	36" x 42" x 20"	SY-HLB-36	SY-HLZ-36
SY-WSLBA-4242	42" x 42" x 20"	SY-HLB-36	SY-HLZ-36
SY-WSLBA-4836	36" x 48" x 20"	SY-HLB-42	SY-HLZ-42
SY-WSLBA-4842	42" x 48" x 20"	SY-HLB-42	SY-HLZ-42



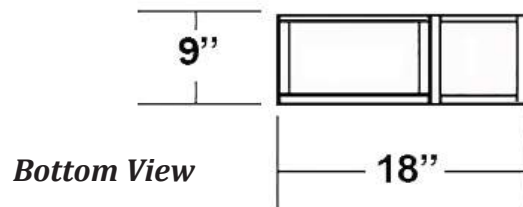
- Solid Lumber Construction
- Front panel removable for easy access
- Accepts SY-HLB series Powder Coated or Stainless Steel Liners (*sold separately*)
- Select from 3000, 400 and 600 CFM Broan Ventilation power packs (*sold separately*) or
- *Ascension 350SL, 350SS, 500SS and 620SS CFM Ventilation power packs (sold separately) or*
- *36" models accept Ascension 900 CFM Professional Ventilators (requires HLZ series liners)*
- *42" and 48" models accept Ascension 1200 CFM Professional Ventilators (requires HLZ series liners)*
- Available in Alder, Cherry, Hickory, Maple, Red Oak, and White Oak
- Optional Trim Kit available (*lower molding, as shown above*)
- Increased Depth option available



# Flat Panel Mantel Hood Pillars



Item #	Dimensions (h) x (w) x (d)
SY-FPP-944	44" x 9" x 18"
SY-FPP-950	50" x 9" x 18"
SY-FPP-956	56" x 9" x 18"

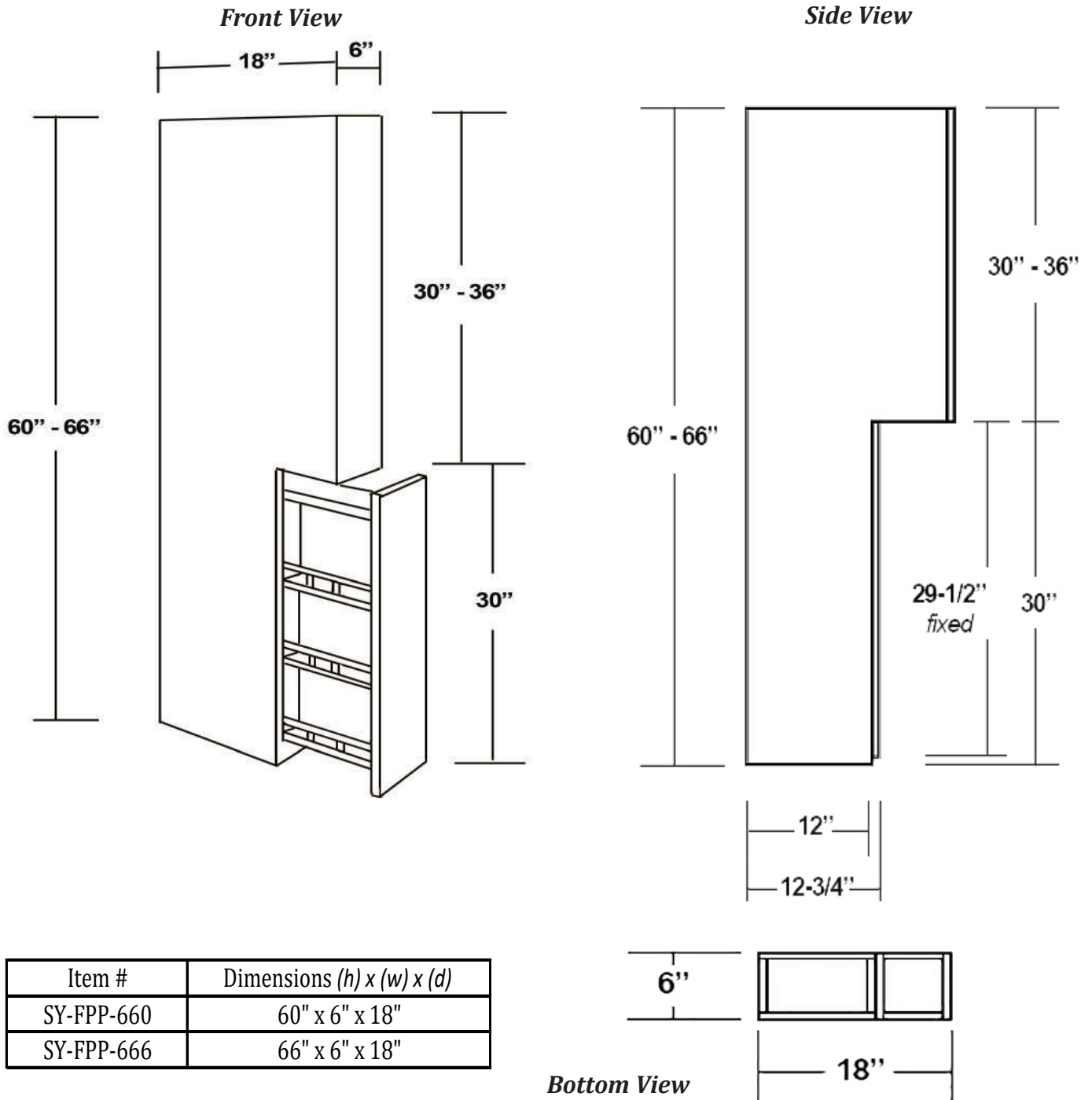


- Hardwood Plywood and Solid Lumber Construction
- Top and bottom recessed for frame mounting
- Sold in pairs
- For use on both sides of Castlewood Mantel Range Hoods and Fronts
- Available in Alder, Cherry, Hickory, Maple and Red Oak





# Flat Panel Mantel Pillars with Pullouts



Item #	Dimensions (h) x (w) x (d)
SY-FPP-660	60" x 6" x 18"
SY-FPP-666	66" x 6" x 18"

- Hardwood Plywood and Solid Lumber Construction
- Sold in pairs
- Includes 3 Shelf Spice Pullout with Ball Bearing Slides
- For use on both sides of Castlewood Mantel Range Hoods and Fronts
- Available in Alder, Cherry, Hickory, Maple and Red Oak

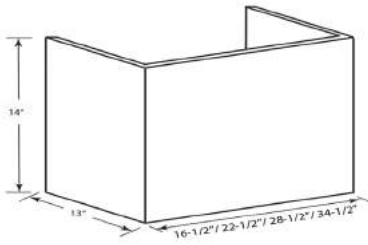




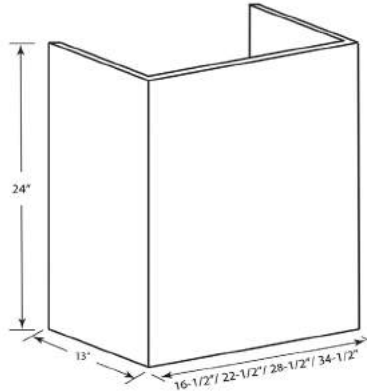
# Chimney Extensions



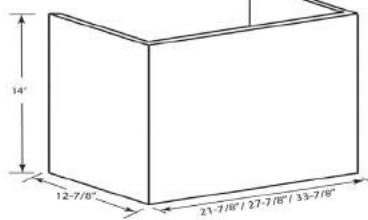
**SY-WCHXS**



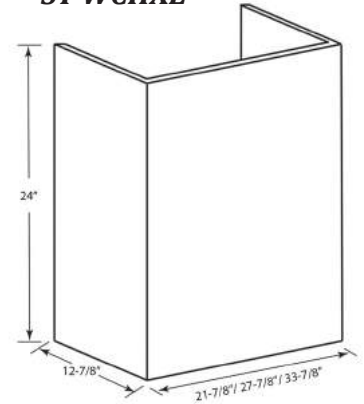
**SY-WCHX**



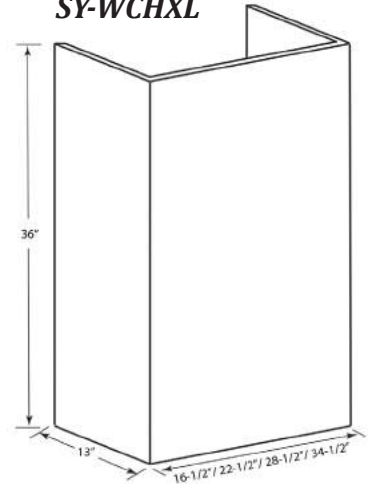
**SY-WCHXSE**



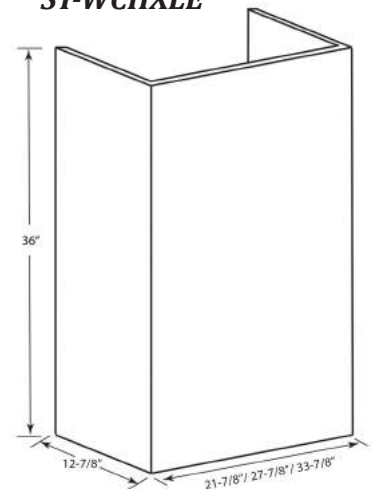
**SY-WCHXE**



**SY-WCHXL**



**SY-WCHXLE**



Item #	Dimensions (h) x (w) x (d)	Fits These Models
SY-WCHX-30	24" x 16-1/2" x 13"	SY-WCH-30, SY-WCHAP-30, SY-WCHAC-30, SY-WCHAS-30
SY-WCHX-36	24" x 22-1/2" x 13"	SY-WCH-36, SY-WCHAP-36, SY-WCHAC-36, SY-WCHAS-36
SY-WCHX-42	24" x 28-1/2" x 13"	SY-WCH-42, SY-WCHAP-42, SY-WCHAC-42, SY-WCHAS-42
SY-WCHX-48	24" x 34-1/2" x 13"	SY-WCH-48, SY-WCHAP-48, SY-WCHAC-48, SY-WCHAS-48
SY-WCHXE-36	24" x 21-7/8" x 12-7/8"	SY-WCVS-36, SY-WCVH-36, SY-WCVA-36, SY-WCVAC-36
SY-WCHXE-42	24" x 27-7/8" x 12-7/8"	SY-WCVS-42, SY-WCVH-42, SY-WCVA-42, SY-WCVAC-42
SY-WCHXE-48	24" x 33-7/8" x 12-7/8"	SY-WCVS-48, SY-WCVH-48, SY-WCVA-48, SY-WCVAC-48
SY-WCHXL-30	36" x 16-1/2" x 13"	SY-WCH-30, SY-WCHAP-30, SY-WCHAC-30, SY-WCHAS-30
SY-WCHXL-36	36" x 22-1/2" x 13"	SY-WCH-36, SY-WCHAP-36, SY-WCHAC-36, SY-WCHAS-36
SY-WCHXL-42	36" x 28-1/2" x 13"	SY-WCH-42, SY-WCHAP-42, SY-WCHAC-42, SY-WCHAS-42
SY-WCHXL-48	36" x 34-1/2" x 13"	SY-WCH-48, SY-WCHAP-48, SY-WCHAC-48, SY-WCHAS-48
SY-WCHXLE-36	36" x 21-7/8" x 12-7/8"	SY-WCVS-36, SY-WCVH-36, SY-WCVA-36, SY-WCVAC-36
SY-WCHXLE-42	36" x 27-7/8" x 12-7/8"	SY-WCVS-42, SY-WCVH-42, SY-WCVA-42, SY-WCVAC-42
SY-WCHXLE-48	36" x 33-7/8" x 12-7/8"	SY-WCVS-48, SY-WCVH-48, SY-WCVA-48, SY-WCVAC-48
SY-WCHXS-30	14" x 16-1/2" x 13"	SY-WCH-30, SY-WCHAP-30, SY-WCHAC-30, SY-WCHAS-30
SY-WCHXS-36	14" x 22-1/2" x 13"	SY-WCH-36, SY-WCHAP-36, SY-WCHAC-36, SY-WCHAS-36
SY-WCHXS-42	14" x 28-1/2" x 13"	SY-WCH-42, SY-WCHAP-42, SY-WCHAC-42, SY-WCHAS-42
SY-WCHXS-48	14" x 34-1/2" x 13"	SY-WCH-48, SY-WCHAP-48, SY-WCHAC-48, SY-WCHAS-48
SY-WCHXSE-36	14" x 21-7/8" x 12-7/8"	SY-WCVS-36, SY-WCVH-36, SY-WCVA-36, SY-WCVAC-36
SY-WCHXSE-42	14" x 27-7/8" x 12-7/8"	SY-WCVS-42, SY-WCVH-42, SY-WCVA-42, SY-WCVAC-42
SY-WCHXSE-48	14" x 33-7/8" x 12-7/8"	SY-WCVS-48, SY-WCVH-48, SY-WCVA-48, SY-WCVAC-48

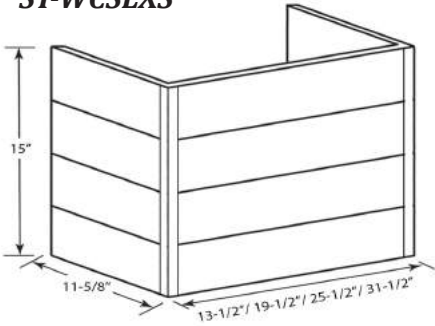
- Hardwood Plywood and Solid Lumber Construction
- Internal bracing with cleats, glue and pocket screws
- SY-WCHXS Included with all Traditional Chimney Style Range Hoods
- Epicurean, Epicurean Arch, Epicurean Elite and Gourmet range hoods **do not** include chimney extensions (a trim kit is required if extension is to be added to the Epicurean series hoods)
- Available in Alder, Cherry, Hickory, Maple, Red Oak, and White Oak
- Easily trimmed for custom fit



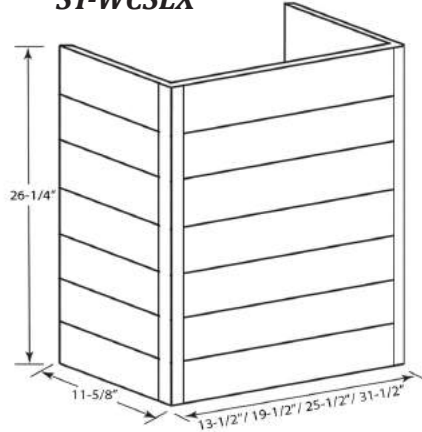


# Shiplap Chimney Extensions

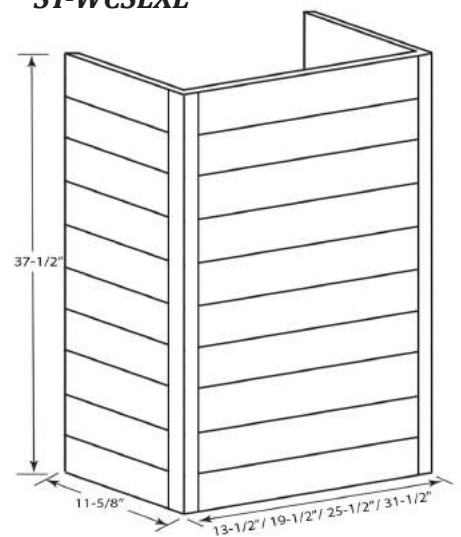
**SY-WCSLXS**



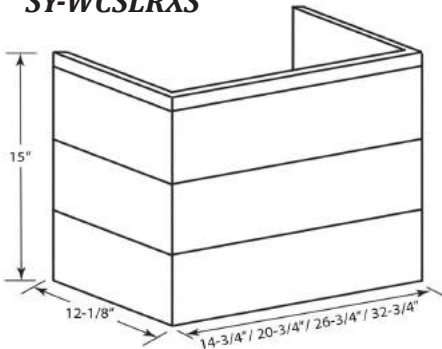
**SY-WCSLX**



**SY-WCSLXL**

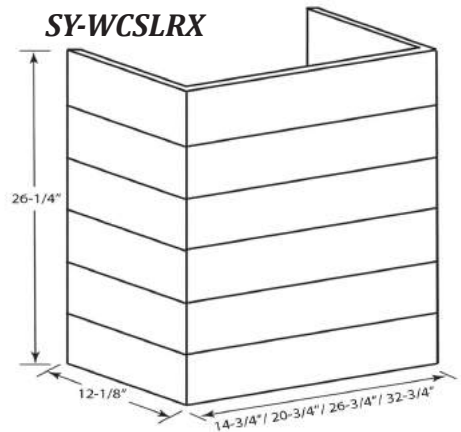


**SY-WCSLRXS**

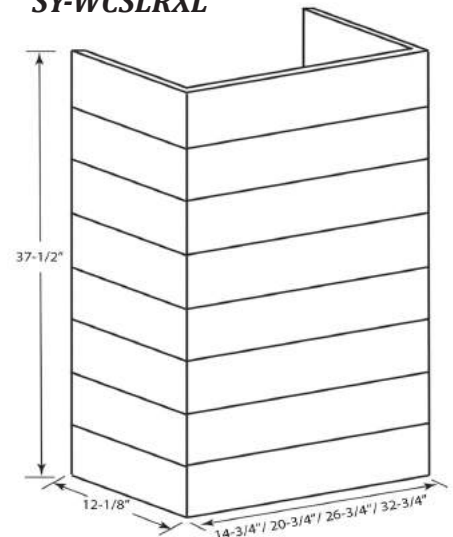


- Solid Lumber Construction
- Internal bracing with cleats, glue and pocket screws
- SY-WCSLXS or SY-WCSLRXS Included with all Shiplap Chimney Style Range Hoods
- Available in Alder, Cherry, Hickory, Maple, Red Oak, White Oak and Pre-Finished Spruce
- Easily trimmed for custom fit

**SY-WCSLRX**



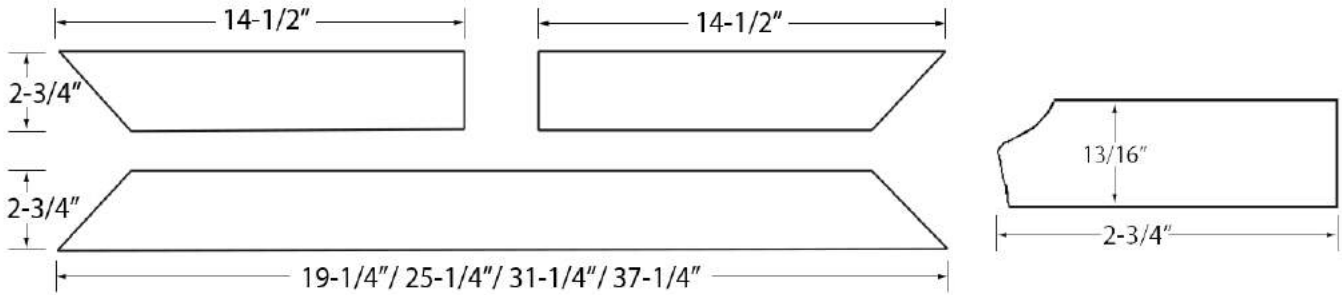
**SY-WCSLRXL**



Item #	Dimensions (h) x (w) x (d)	Fits These Models
SY-WCSLRX-30	26-1/4" x 14-3/4" x 12-1/8"	SY-WCSLR-30
SY-WCSLRX-36	26-1/4" x 20-3/4" x 12-1/8"	SY-WCSLR-36
SY-WCSLRX-42	26-1/4" x 26-3/4" x 12-1/8"	SY-WCSLR-42
SY-WCSLRX-48	26-1/4" x 32-3/4" x 12-1/8"	SY-WCSLR-48
SY-WCSLRXL-30	37-1/2" x 14-3/4" x 12-1/8"	SY-WCSLR-30
SY-WCSLRXL-36	37-1/2" x 20-3/4" x 12-1/8"	SY-WCSLR-36
SY-WCSLRXL-42	37-1/2" x 26-3/4" x 12-1/8"	SY-WCSLR-42
SY-WCSLRXL-48	37-1/2" x 32-3/4" x 12-1/8"	SY-WCSLR-48
SY-WCSLRXS-30	15" x 14-3/4" x 12-1/8"	SY-WCSLR-30
SY-WCSLRXS-36	15" x 20-3/4" x 12-1/8"	SY-WCSLR-36
SY-WCSLRXS-42	15" x 26-3/4" x 12-1/8"	SY-WCSLR-42
SY-WCSLRXS-48	15" x 32-3/4" x 12-1/8"	SY-WCSLR-48
SY-WCSLX-30	26-1/4" x 13-1/2" x 11-5/8"	SY-WCSL-30
SY-WCSLX-36	26-1/4" x 19-1/2" x 11-5/8"	SY-WCSL-36
SY-WCSLX-42	26-1/4" x 25-1/2" x 11-5/8"	SY-WCSL-42
SY-WCSLX-48	26-1/4" x 31-1/2" x 11-5/8"	SY-WCSL-48
SY-WCSLXL-30	37-1/2" x 13-1/2" x 11-5/8"	SY-WCSL-30
SY-WCSLXL-36	37-1/2" x 19-1/2" x 11-5/8"	SY-WCSL-36
SY-WCSLXL-42	37-1/2" x 25-1/2" x 11-5/8"	SY-WCSL-42
SY-WCSLXL-48	37-1/2" x 31-1/2" x 11-5/8"	SY-WCSL-48
SY-WCSLXS-30	15" x 13-1/2" x 11-5/8"	SY-WCSL-30
SY-WCSLXS-36	15" x 19-1/2" x 11-5/8"	SY-WCSL-36
SY-WCSLXS-42	15" x 25-1/2" x 11-5/8"	SY-WCSL-42
SY-WCSLXS-48	15" x 31-1/2" x 11-5/8"	SY-WCSL-48



# Chimney Trim Kits



**SY-WCHT, SY-WCSLRT, SY-WCSLT**

**Profile View**

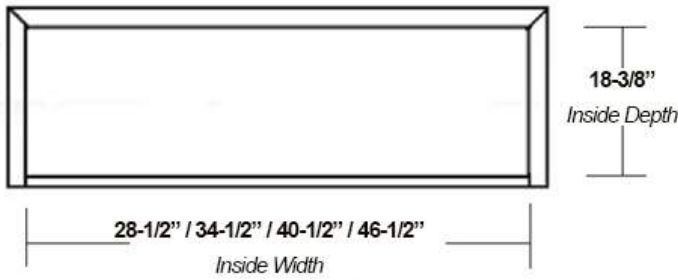
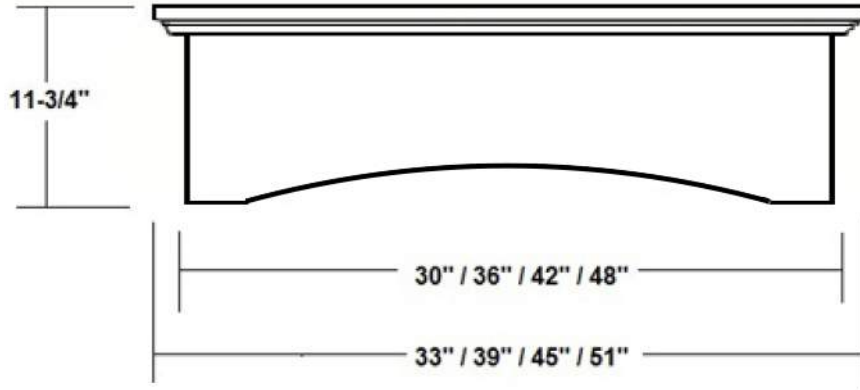
Item #	Dimensions (h) x (w) x (d)	Fits These Models
SY-WCHT-30	3/4" X 19-1/4" X 14-1/2"	30" SY-WCH, SY-WCHAP, SY-WCHAC, SY-WCHAS
SY-WCHT-36	3/4" X 25-1/4" X 14-1/2"	36" SY-WCH, SY-WCHAP, SY-WCHAC, SY-WCHAS, SY-WCVA, SY-WCVAC, SY-WCVH, SY-WCVS
SY-WCHT-42	3/4" X 31-1/4" X 14-1/2"	42" SY-WCH, SY-WCHAP, SY-WCHAC, SY-WCHAS, SY-WCVA, SY-WCVAC, SY-WCVH, SY-WCVS
SY-WCHT-48	3/4" X 37-1/4" X 14-1/2"	48" SY-WCH, SY-WCHAP, SY-WCHAC, SY-WCHAS, SY-WCVA, SY-WCVAC, SY-WCVH, SY-WCVS
SY-WCSLRT-30	3/4" X 19-1/4" X 14-1/2"	SY-WCSLR-30
SY-WCSLRT-36	3/4" X 25-1/4" X 14-1/2"	SY-WCSLR-36
SY-WCSLRT-42	3/4" X 31-1/4" X 14-1/2"	SY-WCSLR-42
SY-WCSLRT-48	3/4" X 37-1/4" X 14-1/2"	SY-WCSLR-48
SY-WCSLT-30	3/4" X 19-1/4" X 14-1/2"	SY-WCSL-30
SY-WCSLT-36	3/4" X 25-1/4" X 14-1/2"	SY-WCSL-36
SY-WCSLT-42	3/4" X 31-1/4" X 14-1/2"	SY-WCSL-42
SY-WCSLT-48	3/4" X 37-1/4" X 14-1/2"	SY-WCSL-48

- Solid Lumber Construction
- Ships unassembled
- Trimmable to suit
- Molding matches corresponding Chimney Hood
- Available in Alder, Cherry, Hickory, Maple, Red Oak, White Oak, and Spruce
- Used to cap off Chimney Hood Extensions

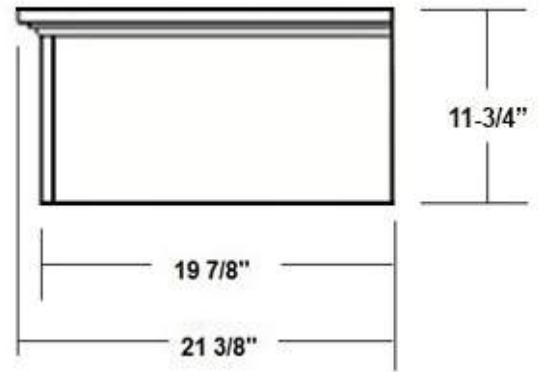


# Arched Plain Range Hood Base

Front View



Side View



Item #	Dimensions (h) x (w) x (d)	Liner	Liner
SY-JAPHB30	11-3/4" x 33" x 21-3/8"	SY-HLB-30	SY-HLZ-30
SY-JAPHB36	11-3/4" x 39" x 21-3/8"	SY-HLB-36	SY-HLZ-36
SY-JAPHB42	11-3/4" x 45" x 21-3/8"	SY-HLB-42	SY-HLZ-42
SY-JAPHB48	11-3/4" x 51" x 21-3/8"	SY-HLB-48	SY-HLZ-48

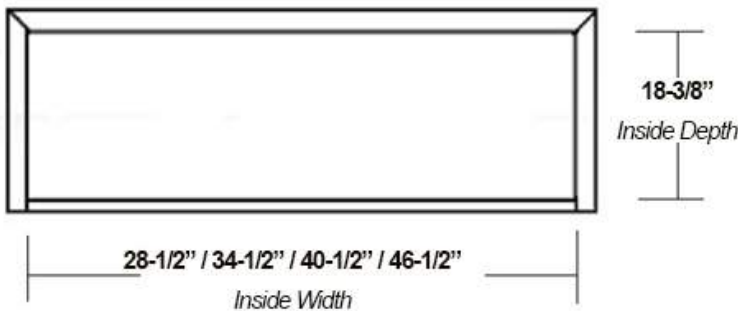
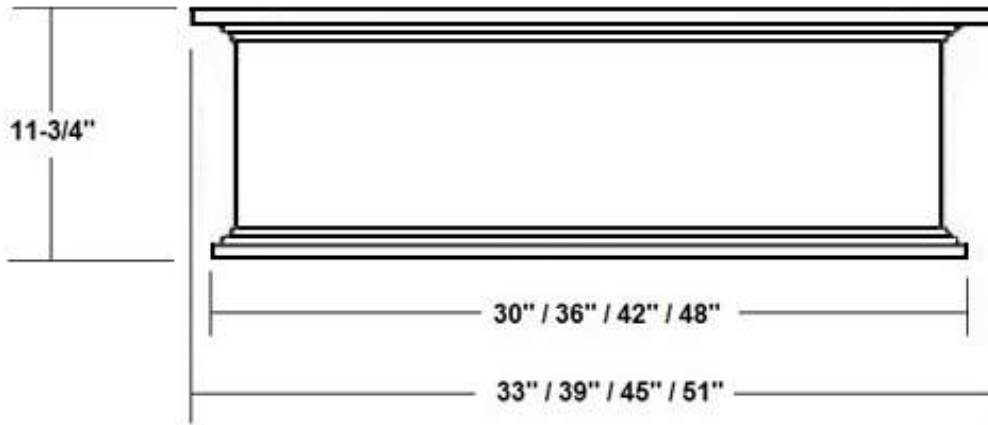
- Designed to accept a 15" - 18" deep Wall Cabinet on top
- Hardwood Plywood and Solid Lumber construction
- 1/2" Rear Plywood Stretchers for wall mounting
- Accepts SY-HLB series Powder Coated or Stainless Steel Liners (*sold separately*)
- Select from 300, 400, or 600 CFM Broan Ventilation power packs (*sold separately*) or
- *Ascension 350SL, 350SS, 500SS or 620SS CFM Ventilation power packs (sold separately) or*
- *30" and 36" models accept Ascension 900 CFM Professional Ventilators (requires HLZ series Liners)*
- *42" and 48" models accept Ascension 1200 CFM Professional Ventilators (requires HLZ series Liners)*
- Available in Alder, Cherry, Hickory, Maple, Red Oak, and White Oak
- Optional Moldings available
- Increased Depth option available



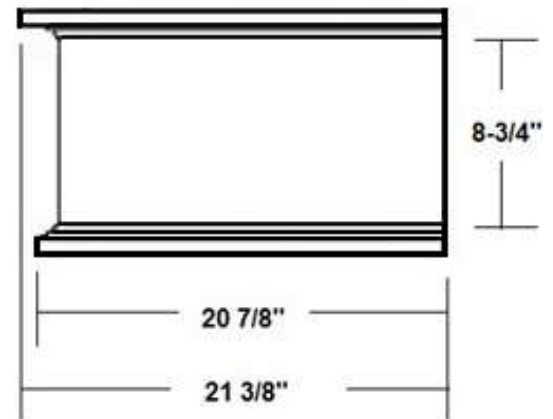
# Plain Range Hood Base



Front View



Side View



Item #	Dimensions (h) x (w) x (d)	Liner	Liner
SY-JSVHB30	11-3/4" x 33" x 21-3/8"	SY-HLB-30	SY-HLZ-30
SY-JSVHB36	11-3/4" x 39" x 21-3/8"	SY-HLB-36	SY-HLZ-36
SY-JSVHB42	11-3/4" x 45" x 21-3/8"	SY-HLB-42	SY-HLZ-42
SY-JSVHB48	11-3/4" x 51" x 21-3/8"	SY-HLB-48	SY-HLZ-48

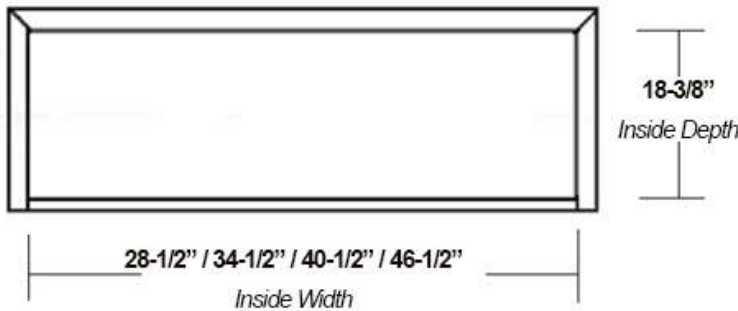
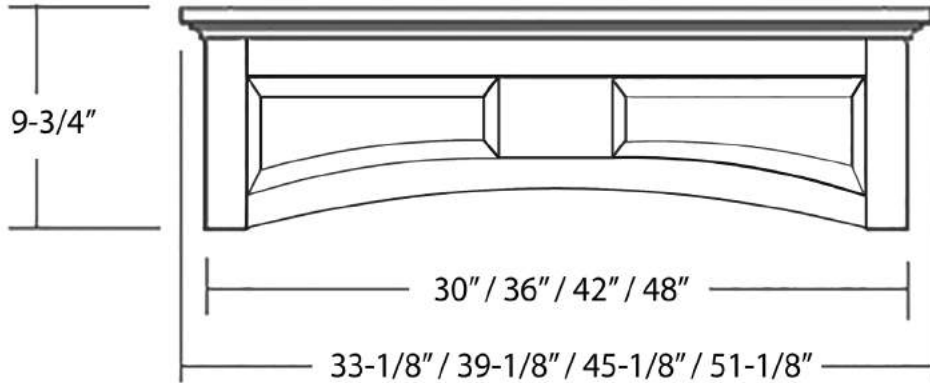
- Designed to accept a 15" - 18" deep Wall Cabinet on top
- Hardwood Plywood and Solid Lumber construction
- 1/2" Rear Plywood Stretchers for wall mounting
- Accepts SY-HLB series Powder Coated or Stainless Steel Liners (*sold separately*)
- Select from 300, 400, or 600 CFM Broan Ventilation power packs (*sold separately*) or
- *Ascension 350SL, 350SS, 500SS or 620SS CFM Ventilation power packs (sold separately) or*
- *30" and 36" models accept Ascension 900 CFM Professional Ventilators (requires HLZ series Liners)*
- *42" and 48" models accept Ascension 1200 CFM Professional Ventilators (requires HLZ series Liners)*
- Available in Alder, Cherry, Hickory, Maple, Red Oak, and White Oak
- Base front will accept Ornaments in sizes up to 6" x 24"
- Increased Depth option available



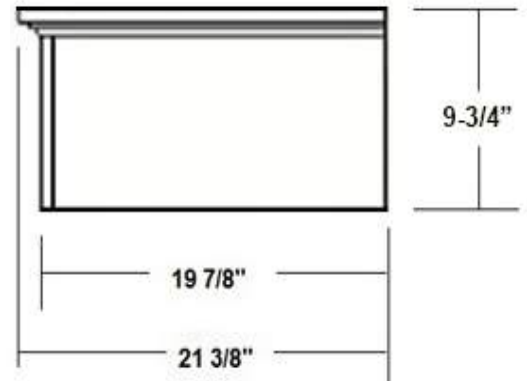


# Arched Valance Range Hood Base

Front View



Side View



Item #	Dimensions (h) x (w) x (d)	Liner	Liner
SY-JAVHB30	9-3/4" x 33" x 21-3/8"	SY-HLB-30	SY-HLZ-30
SY-JAVHB36	9-3/4" x 39" x 21-3/8"	SY-HLB-36	SY-HLZ-36
SY-JAVHB42	9-3/4" x 45" x 21-3/8"	SY-HLB-42	SY-HLZ-42
SY-JAVHB48	9-3/4" x 51" x 21-3/8"	SY-HLB-48	SY-HLZ-48

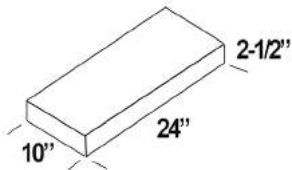
- Designed to accept a 15" - 18" deep Wall Cabinet on top
- Hardwood Plywood and Solid Lumber construction
- 1/2" Rear Plywood Stretchers for wall mounting
- Accepts SY-HLB series Powder Coated or Stainless Steel Liners (*sold separately*)
- Select from 3000, 400, or 600 CFM Broan Ventilation power packs (*sold separately*) or
- *Ascension 350SL, 350SS, 500SS, or 620SS CFM Ventilation power packs (sold separately)* or
- *30" and 36" models accept Ascension 900 CFM Professional Ventilators (requires HLZ series Liners)*
- *42" and 48" models accept Ascension 1200 CFM Professional Ventilators (requires HLZ series Liners)*
- Available in Cherry, Maple and Red Oak
- Increased Depth option available



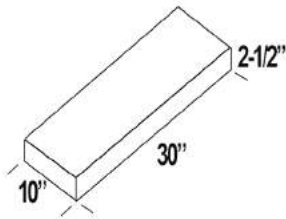
## Plain Floating Shelves



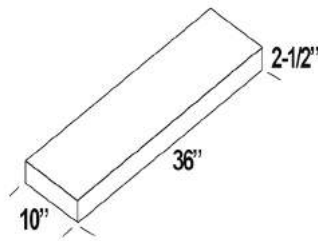
SY-JMSP24



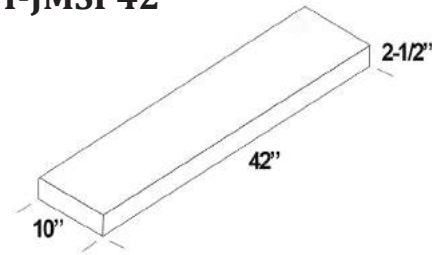
SY-JMSP30



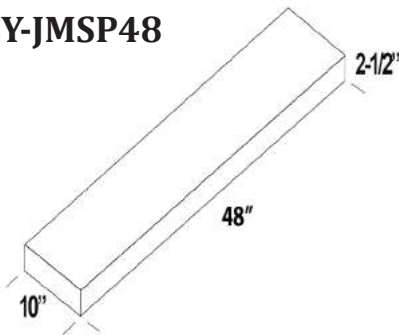
SY-JMSP36



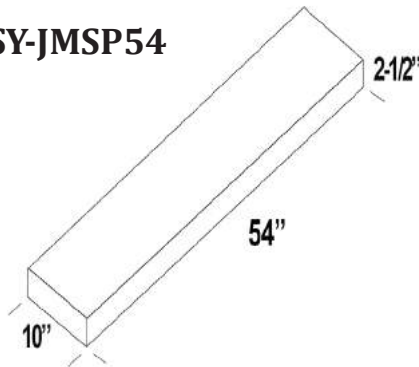
SY-JMSP42



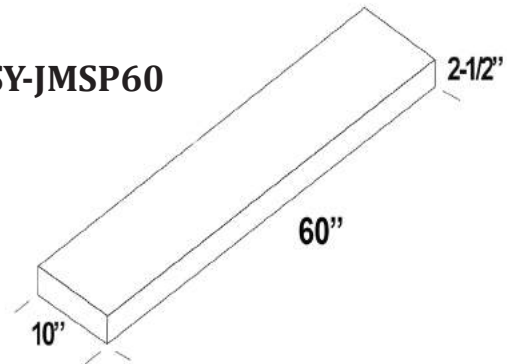
SY-JMSP48



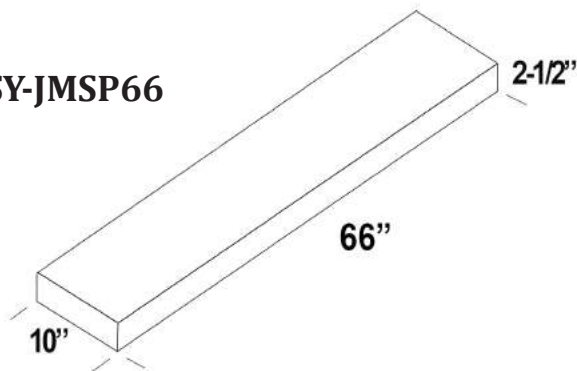
SY-JMSP54



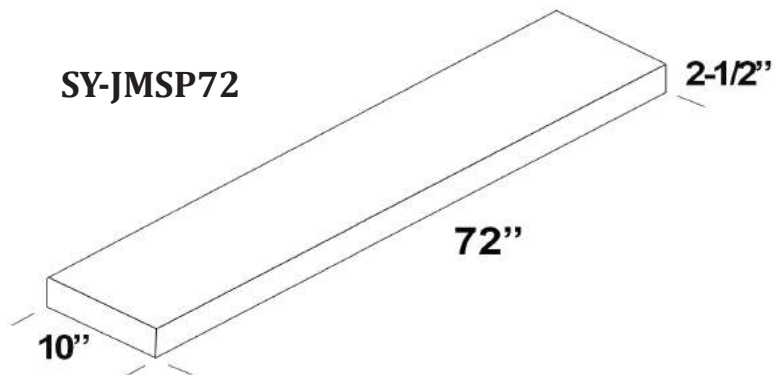
SY-JMSP60



SY-JMSP66



SY-JMSP72



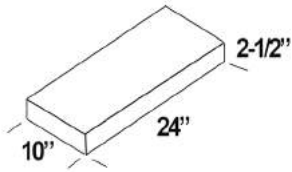
**Castlewood Plain Floating Shelves** are available *standard* with a *Heavy Duty mounting system*. Models less than 54" in length come with one pair of metal mounting brackets. Sizes 54" and greater come with two pairs of mounting brackets. All Floating Shelves are available in 10" and 12" depths

- Hardwood Plywood and Solid Lumber construction
- Available in Alder, Cherry, Hickory, Maple, Red Oak, White Oak
- A Paint Grade version made from Rubberwood and MDF is available
- Custom sizes are available by request
- *Steel Bracket Mounting System provides 150+ lbs. capacity per shelf*
- Optional 12" Depth available standard (add "D" to part # ie: SY-JMSPD)

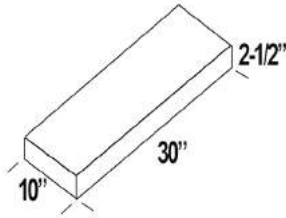


## Rustic Floating Shelves

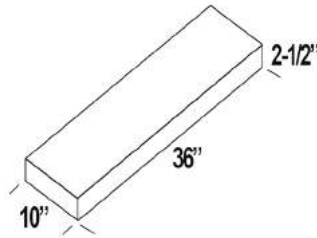
SY-JMSPR24



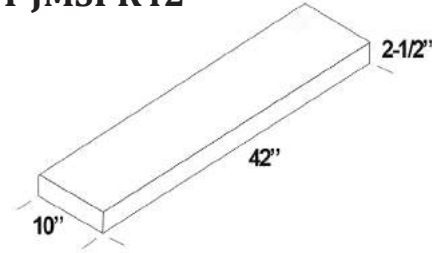
SY-JMSPR30



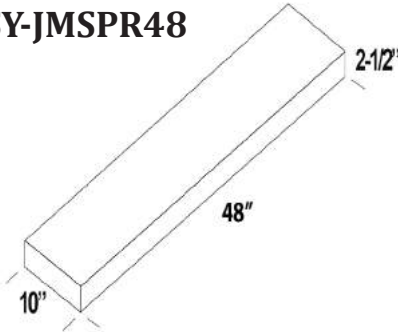
SY-JMSPR36



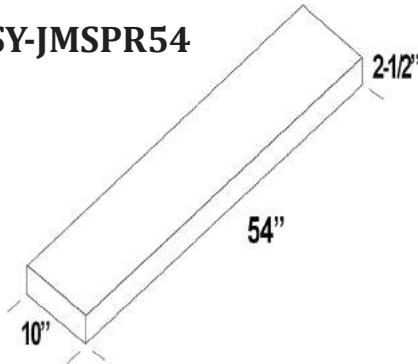
SY-JMSPR42



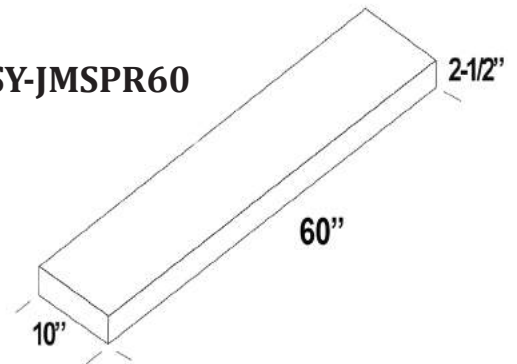
SY-JMSPR48



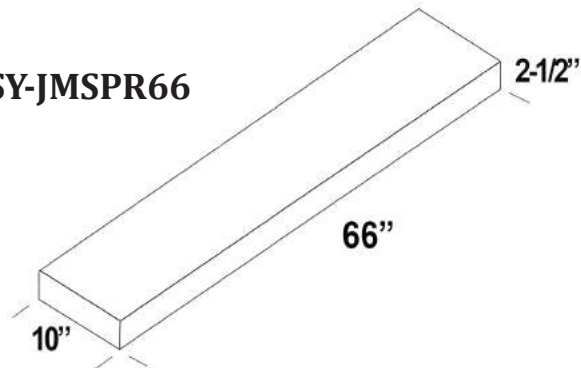
SY-JMSPR54



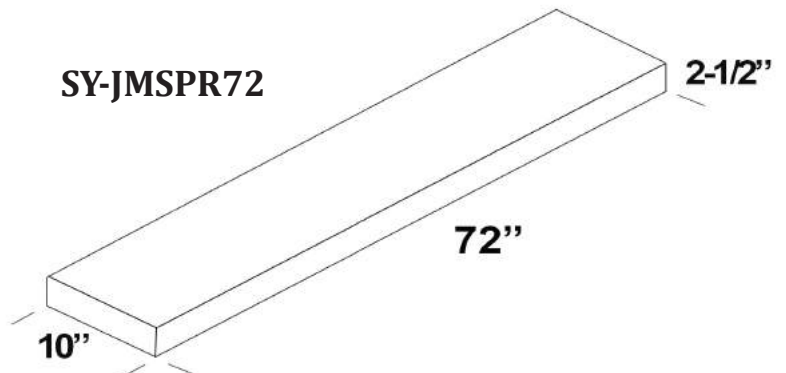
SY-JMSPR60



SY-JMSPR66



SY-JMSPR72



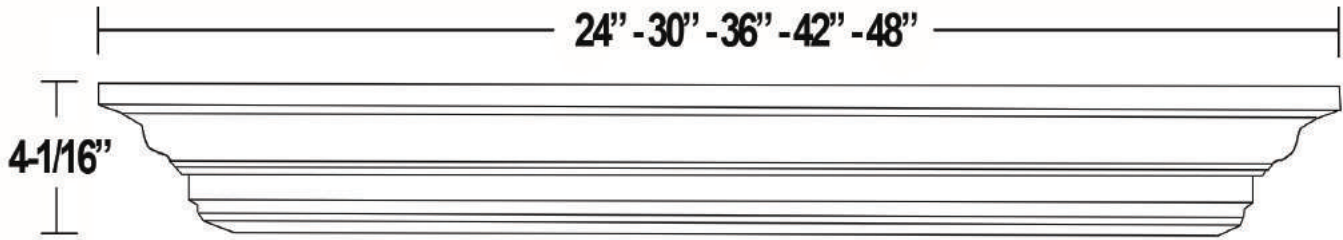
**Castlewood Rustic Floating Shelves** are available *standard* with a *Heavy Duty mounting system*. Models less than 54" in length come with one pair of metal mounting brackets. Sizes 54" and greater come with two pairs of mounting brackets. All Floating Shelves are available in 10" and 12" depths

- Constructed from Distressed Spruce Planks (*Rough Grain*)
- Pre-Finished with Sherwin Williams stain (Black, Brown, Dark Grey, Light Grey, White, Whitewash)
- Custom sizes are available by request
- *Steel Bracket Mounting System* provides 150+ lbs. capacity per shelf
- Optional 12" Depth available standard (add "D" to part # ie: SY-JMSPRD)





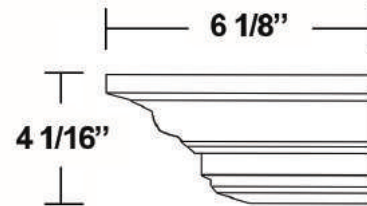
# Traditional Mantel Shelves



**SY-JMSA**  
 Traditional Mantel Shelf  
 (all versions have 6-1/8" depth)

**Castlewood Traditional Mantel Shelves** offer classic looks and sturdy support for displaying decorative and personal articles. These configurations can be used in custom range hood construction or as stand alone wall decoration.

Item #	Dimensions (h) x (w) x (d)
SY-JMSA24	4-1/16" x 24" x 6-1/8"
SY-JMSA30	4-1/16" x 30" x 6-1/8"
SY-JMSA36	4-1/16" x 36" x 6-1/8"
SY-JMSA42	4-1/16" x 42" x 6-1/8"
SY-JMSA48	4-1/16" x 48" x 6-1/8"

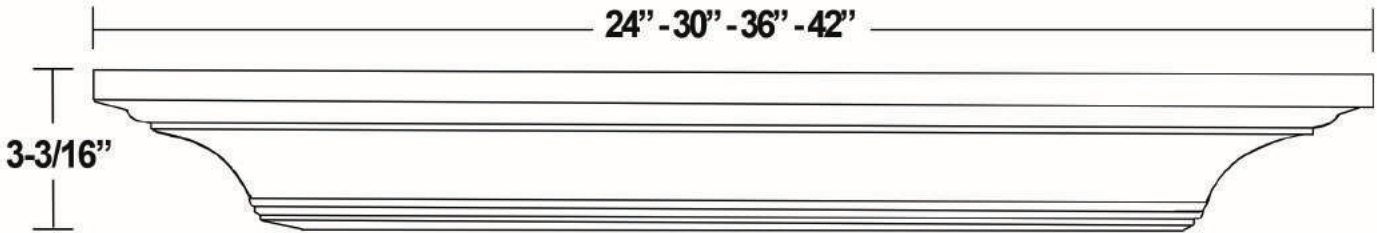


- Hardwood Plywood and Solid Lumber construction
- Solid Hardwood beveled mounting rail included (*undrilled*)
- Rail must be mounted securely to wall studs using 3" screws (*sold separately*)
- Measure stud spacing and mark locations on one long side of rail
- Drill appropriate holes and insert screws securely to wall studs
- Slide shelf body over beveled rail to complete installation
- 15 lbs. per square foot capacity when installed correctly
- Available in Alder, Cherry, Hickory, Maple and Red Oak
- Designed to accept 3/4" wide dentil insert molding
- Custom sizes available by request





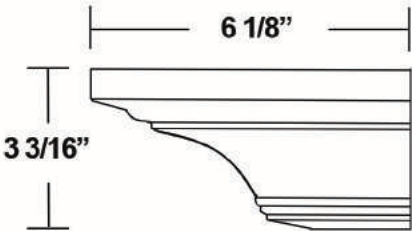
# Coved Mantel Shelves



**SY-JMSC**  
Coved Mantel Shelf  
*(all versions have 6-1/8" depth)*

**Castlewood Coved Mantel Shelves** offer modern looks and sturdy support for displaying decorative and personal articles. These configurations can be used in custom range hood construction or as stand alone wall decoration.

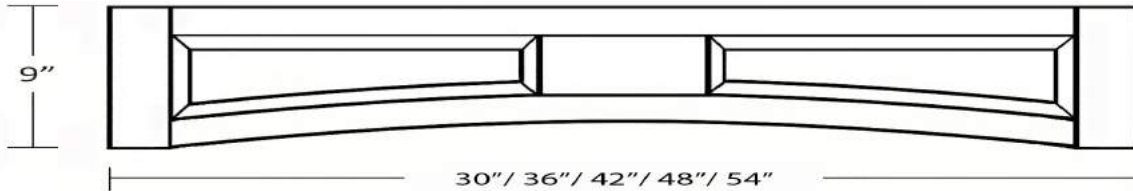
Item #	Dimensions (h) x (w) x (d)
SY-JMSC24	3-3/16" x 24" x 6-1/8"
SY-JMSC30	3-3/16" x 30" x 6-1/8"
SY-JMSC36	3-3/16" x 36" x 6-1/8"
SY-JMSC42	3-3/16" x 42" x 6-1/8"



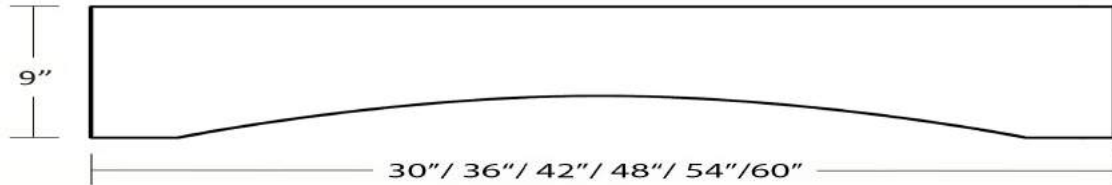
- Hardwood Plywood and Solid Lumber construction
- Solid Hardwood beveled mounting rail included (*undrilled*)
- Rail must be mounted securely to wall studs using 3" screws (*sold separately*)
- Measure stud spacing and mark locations on one long side of rail
- Drill appropriate holes and insert screws securely to wall studs
- Slide shelf body over beveled rail to complete installation
- 15 lbs. per square foot weight capacity when installed correctly
- Available in Alder, Cherry, Hickory, Maple and Red Oak
- Custom sizes available by request



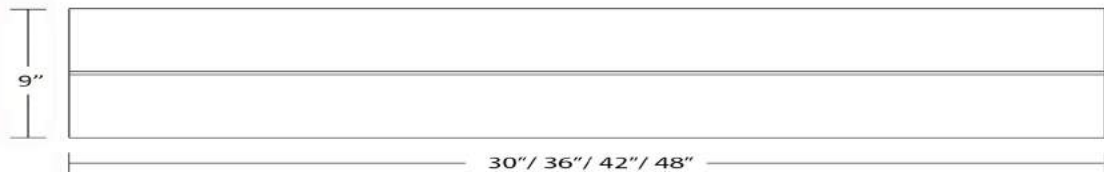
# Valances



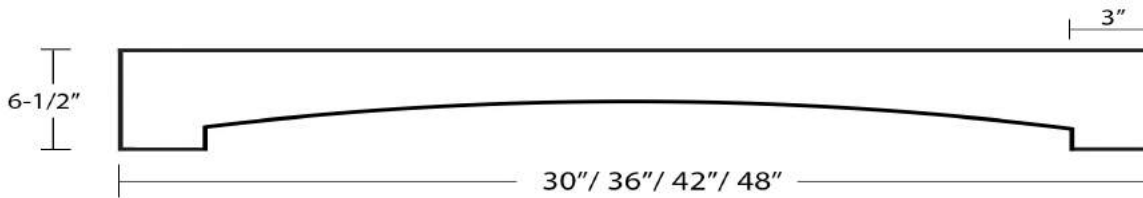
**SY-AV Arched Raised Panel Valance**



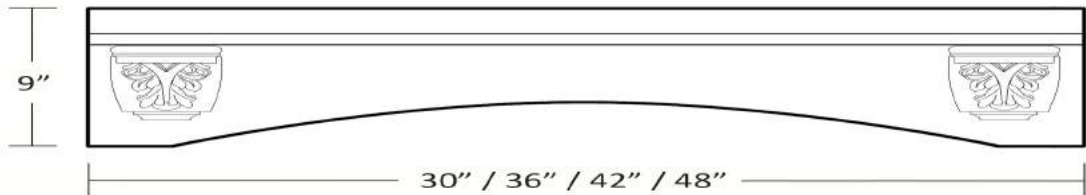
**SY-PV Plain Arched Valance**



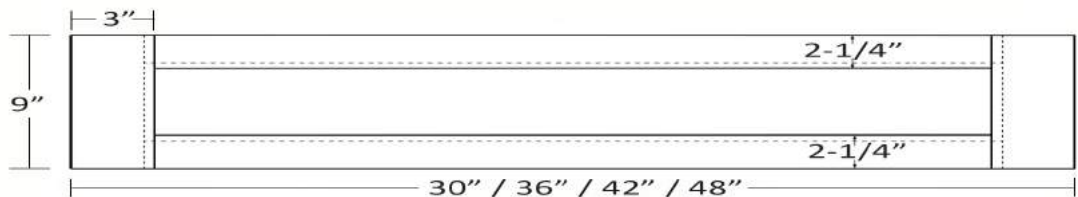
**SY-SLV Shiplap Valance**



**SY-TAV Transitional Arched Valance**



**SY-VA-6051 Acanthus Arched Valance**

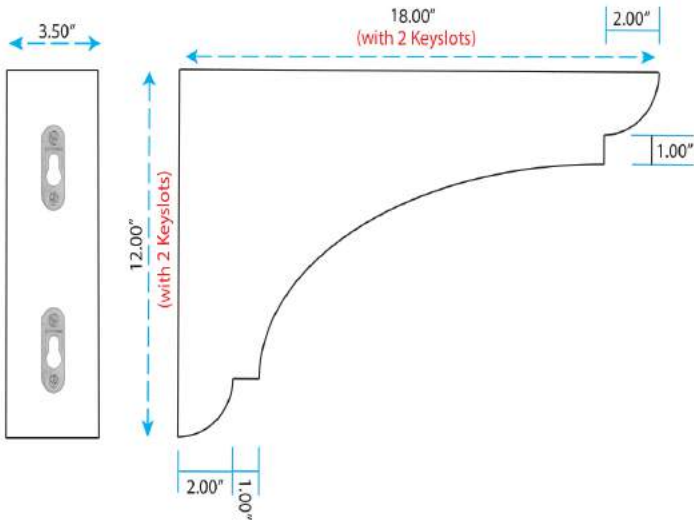


**SY-VA-6052 Shaker Valance**

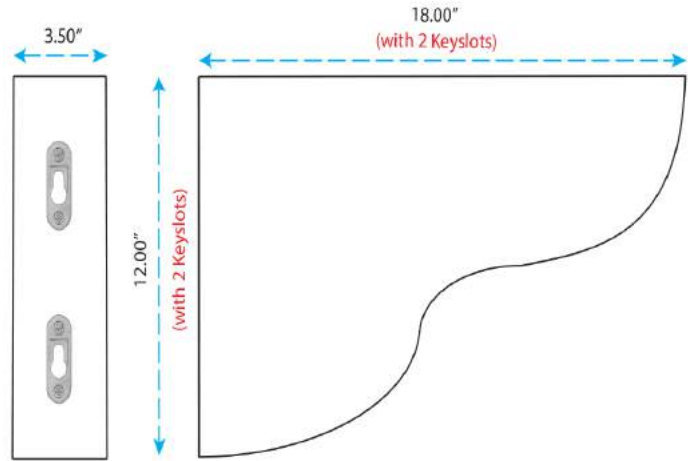
- Solid Hardwood Lumber construction
- Shaker Panel Insert is Hardwood Veneer on MDF core
- All valance panel thicknesses are 3/4"
- Available in Alder, Cherry, Hickory, Maple and Red Oak
- Custom sizes available by request



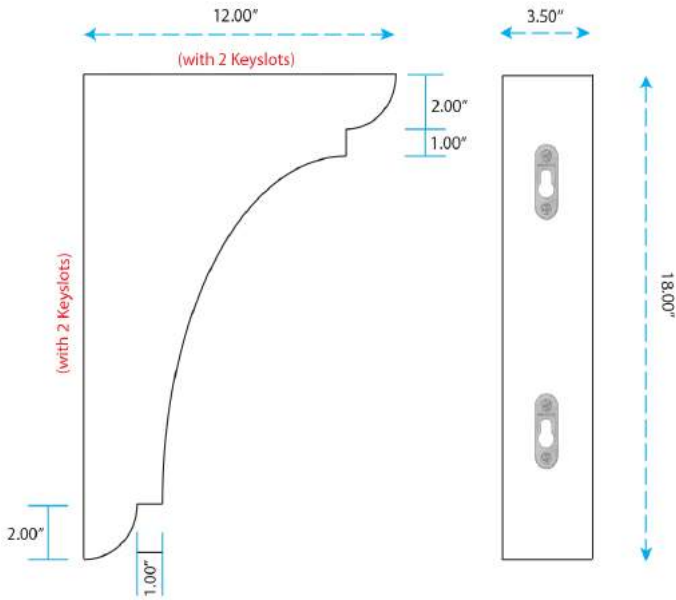
## Range Hood Corbels



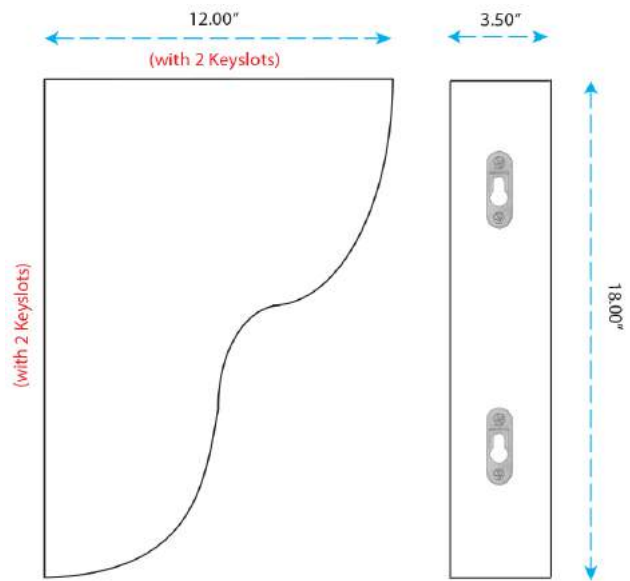
**SY-CA-144** (horizontal mount)



**SY-CA-145** (horizontal mount)



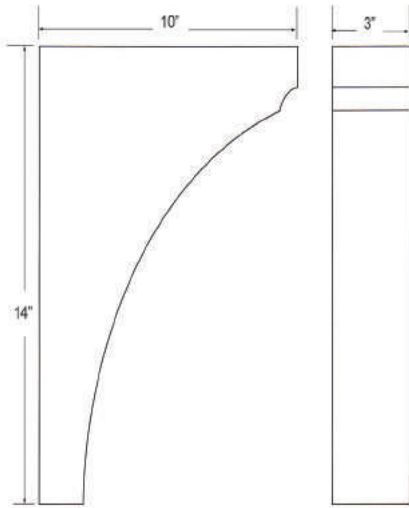
**SY-CA-144** (vertical mount)



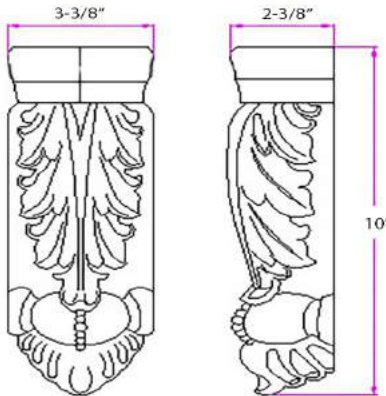
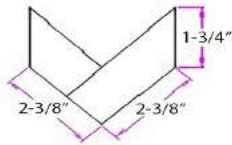
**SY-CA-145** (vertical mount)

- Solid Hardwood construction
- Includes steel keyslots for secure mounting
- Sized proportionally for range hood application
- Available in Birch, Cherry, Maple and Red Oak
- Other designs available at [www.castlewood.com](http://www.castlewood.com)

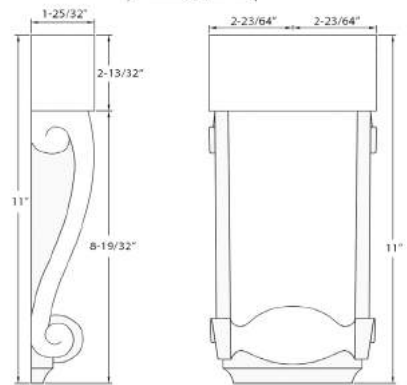
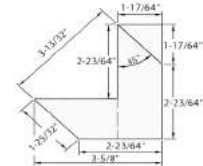
# Range Hood Corbels



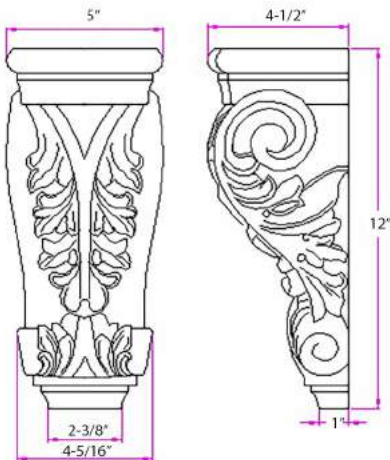
**SY-CA-7**



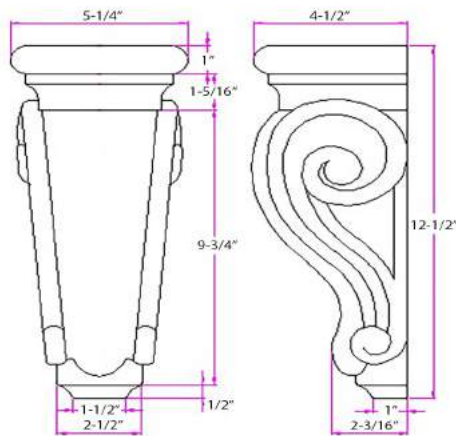
**SY-CA-122**  
(corner corbel)



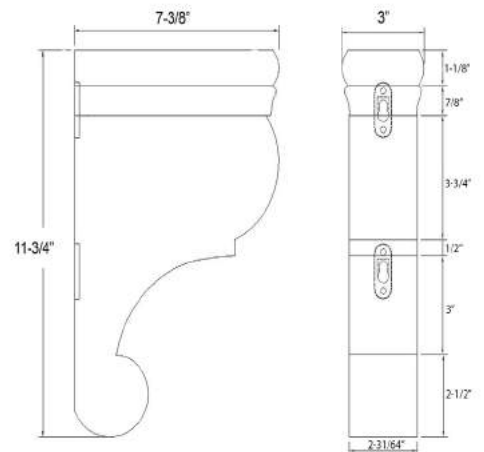
**SY-CA-123**  
(corner corbel)



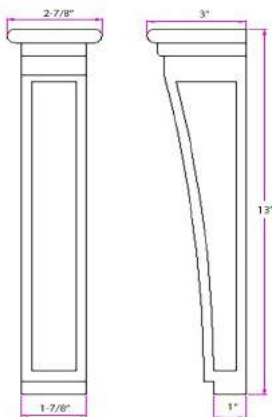
**SY-CA-98**



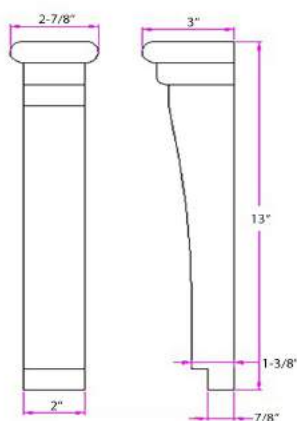
**SY-CA-105**



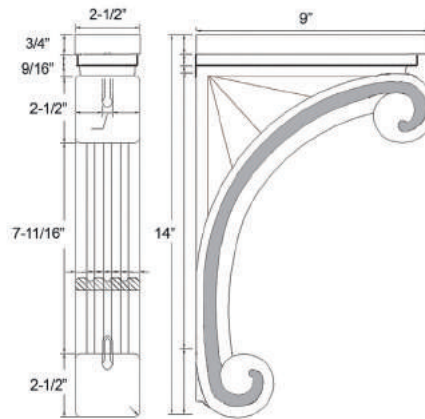
**SY-CA-209**



**SY-CA-68**



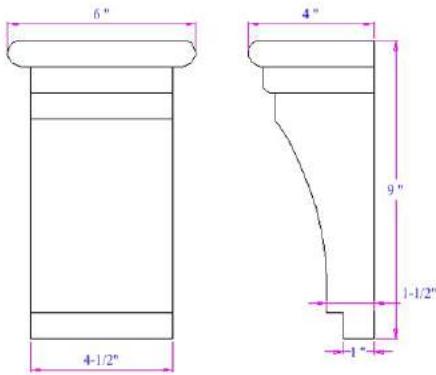
**SY-CA-8**



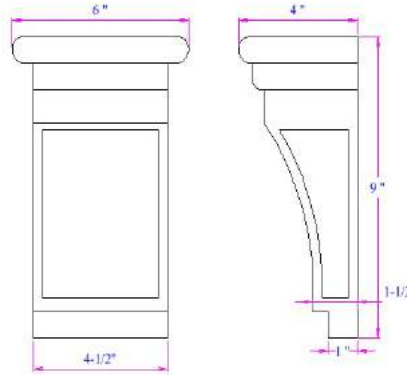
**SY-CA-210**



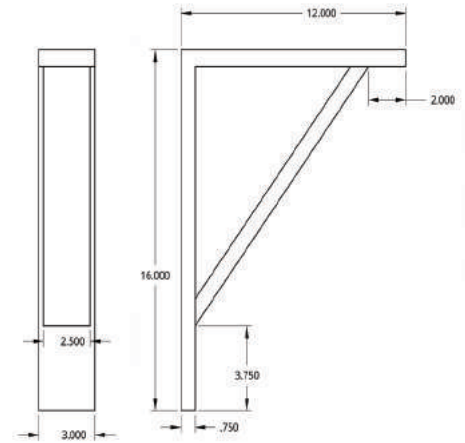
## Range Hood Corbels



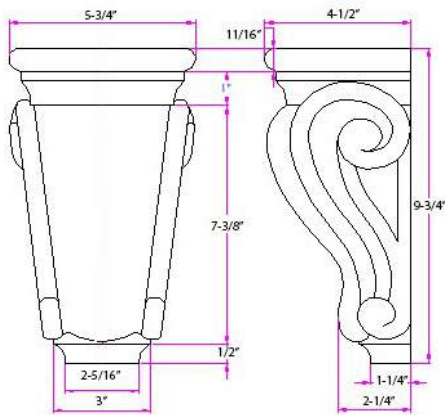
**SY-CA-6**



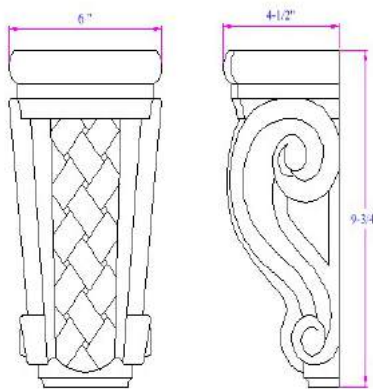
**SY-CA-66**



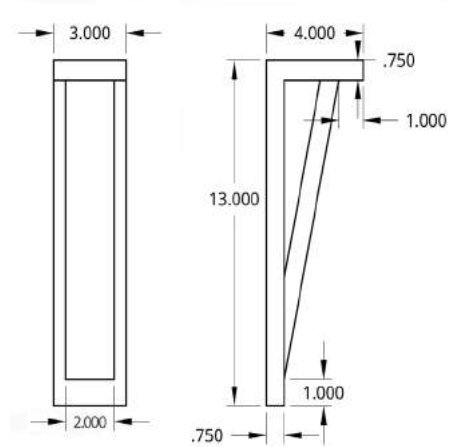
**SY-JL-BB20**



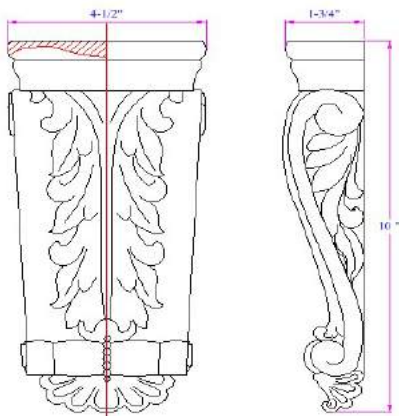
**SY-CA-106**



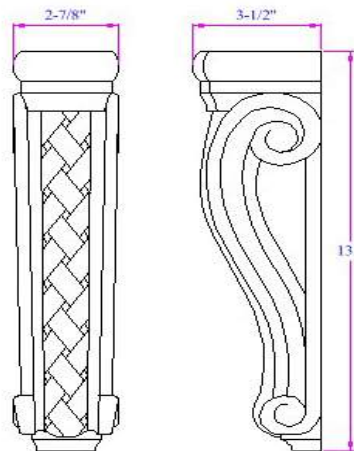
**SY-CA-160**



**SY-JL-BB22**



**SY-CA-121**



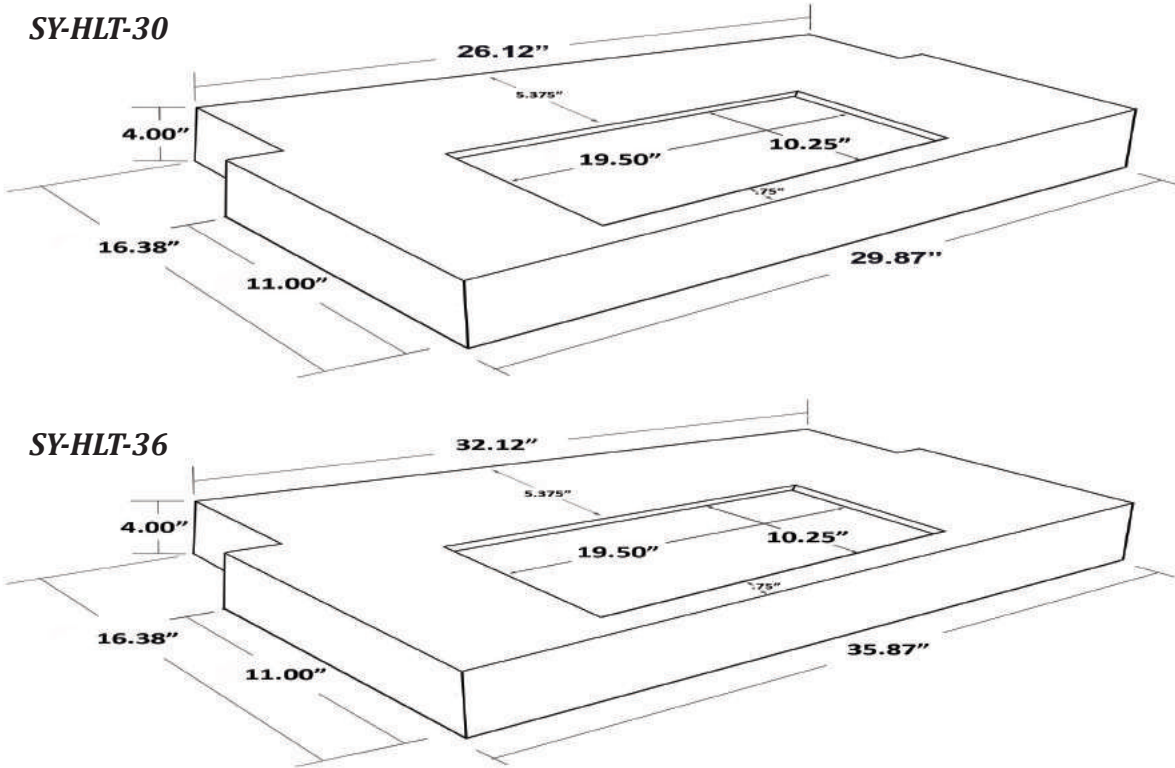
**SY-CA-161**

- Solid Hardwood construction
- Available in Alder, Birch, Cherry, Maple and Red Oak
- Other designs can be found at [www.castlewood.com](http://www.castlewood.com)

# ***Ventilation and Accessories***



## T-Shape Steel Hood Liners

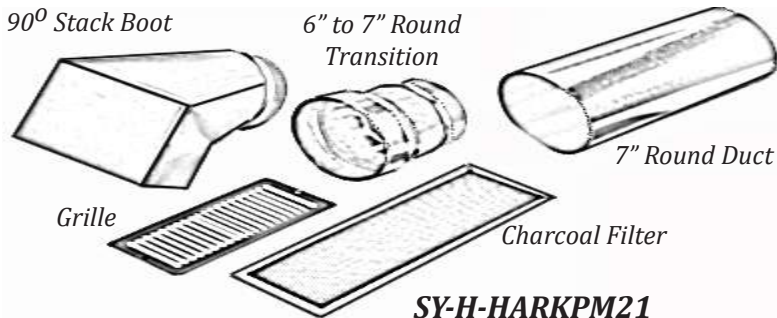


Item #	Dimensions (h) x (w) x (d)
SY-HLT-30	4" X 29-7/8" X 16-3/8"
SY-HLT-36	4" X 35-7/8" X 16-3/8"
SY-H-HARKPM21	6" to 7" Round Transition
SY-HVA-SDK	for 6" Round Duct
SY-H-SCF124	Charcoal Filter for Ascension
SY-H-S99010464	Charcoal Filter for Broan

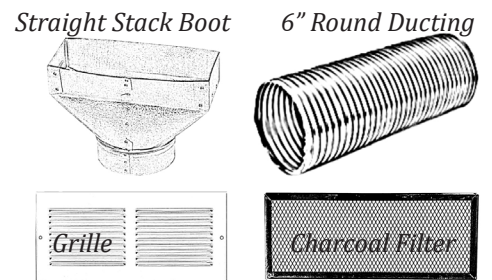
*SY-H-HARKPM21 works with SY-HV-300SS, SY-HV-400SS and SY-H-600SS units.  
SY-HVA-SDK works with SY-HVA-350SL, SY-HVA-350SS and SY-HVA-500SS units.*

- Cold Rolled Steel Construction with Silver Metallic powder coated finish
- For use in all Range Hood FRONTS
- Accepts Ascension and Broan ventilators
- SY-HV-300SS
- SY-HVA-350SL
- SY-HVA-350SS
- SY-HV-400SS
- SY-HVA-500SS
- SY-HV-600SS
- SY-HVA-620SS

## Recirculating Kits



**SY-H-HARKPM21**



**SY-HVA-SDK**

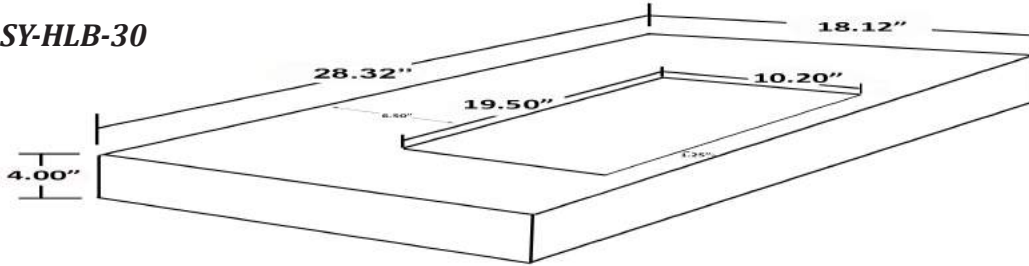




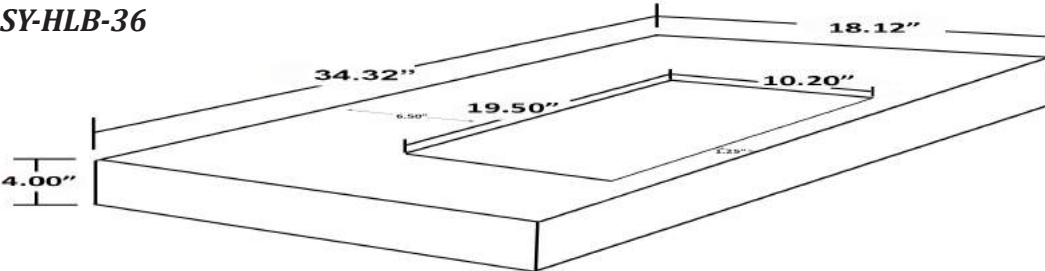
# Rectangular Steel Hood Liners



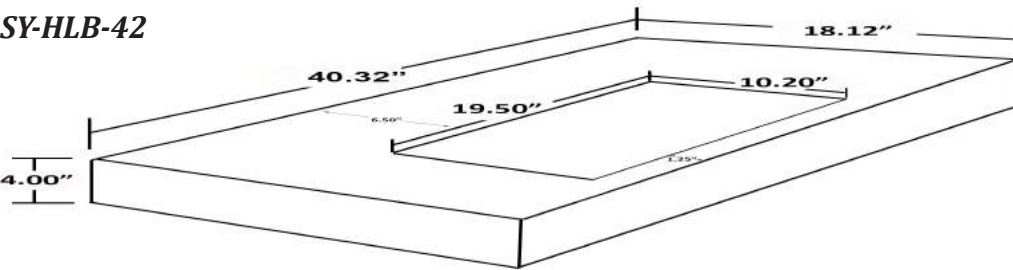
**SY-HLB-30**



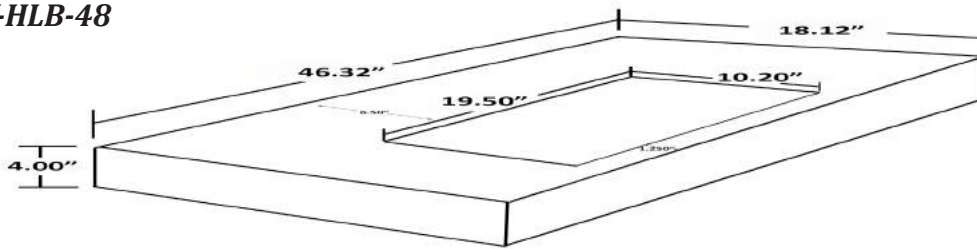
**SY-HLB-36**



**SY-HLB-42**



**SY-HLB-48**



- Cold Rolled Steel Construction with Silver Metallic powder coated finish
- or Stainless Steel (SS430)
- For use in all full Chimney and Mantel style range hood configurations
- Accepts Ascension and Broan ventilation units
- SY-HV-300SS
- SY-HVA-350SL
- SY-HVA-350SS
- SY-HV-400SS
- SY-HVA-500SS
- SY-HV-600SS
- SY-HVA-620SS

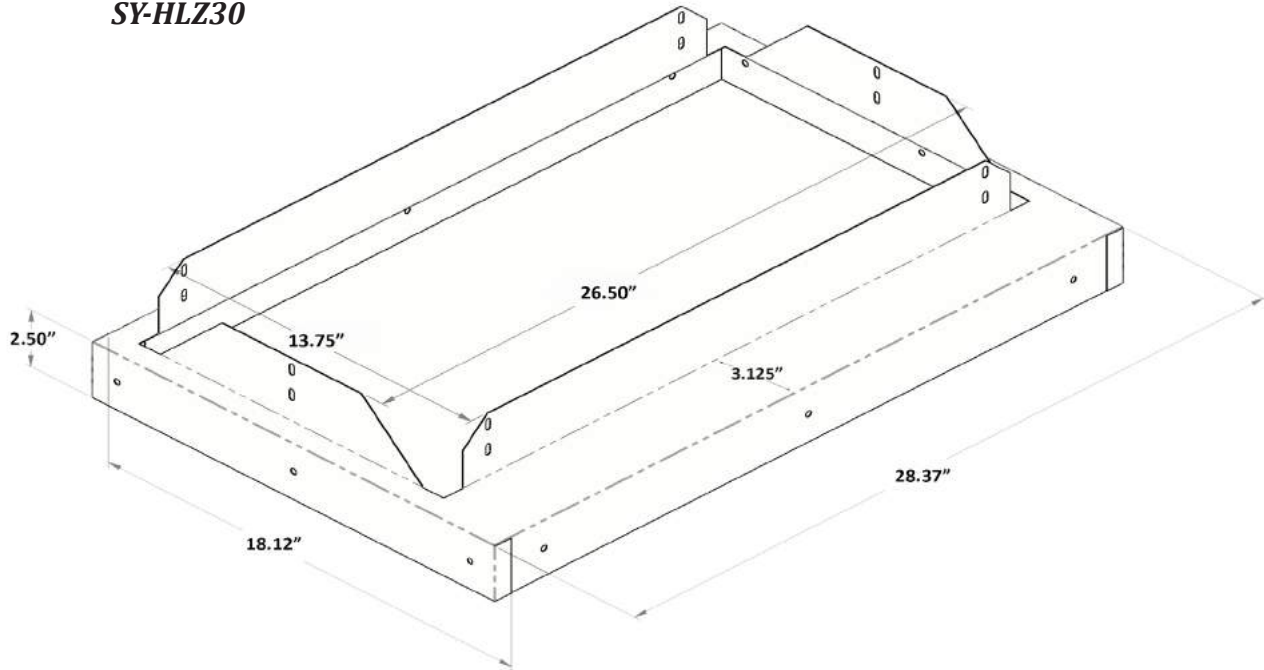
Item #	Dimensions (h) x (w) x (d)
SY-HLB-30	4" x 28-21/64" x 18-1/8"
SY-HLB-36	4" x 34-21/64" x 18-1/8"
SY-HLB-42	4" x 40-21/64" x 18-1/8"
SY-HLB-48	4" x 46-21/64" x 18-1/8"



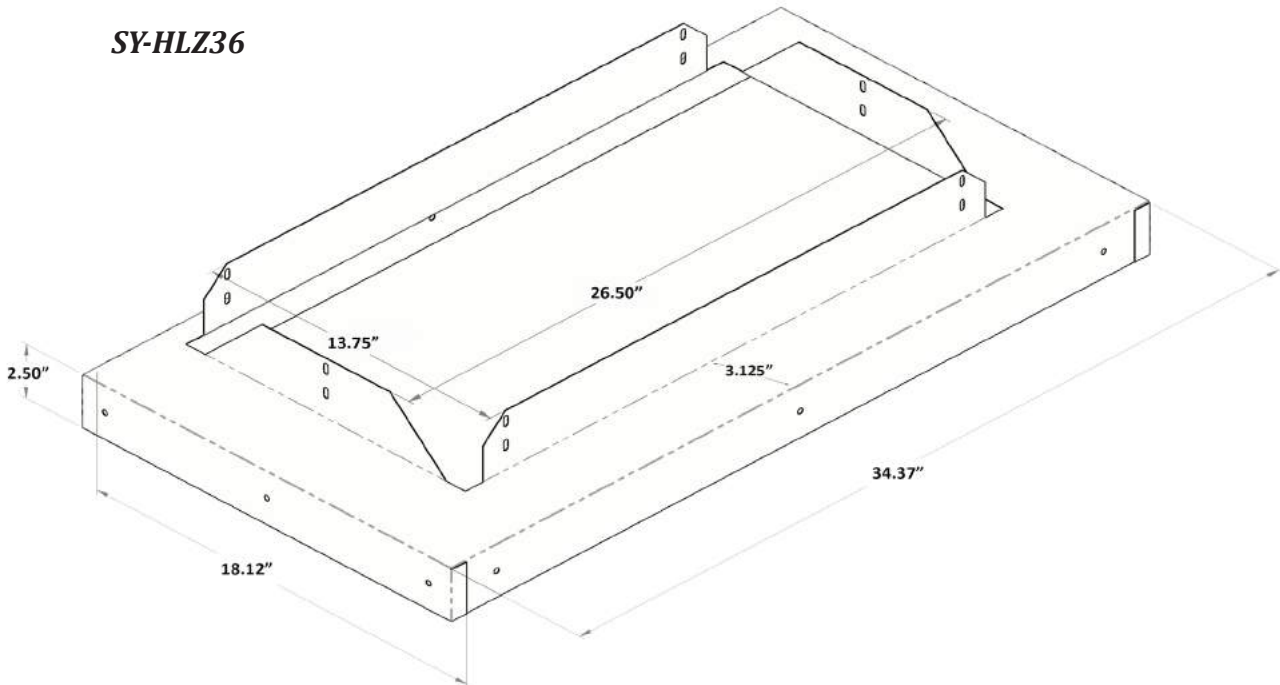


## Large Ventilator Steel Hood Liners for SY-HVA-900-SS (900 CFM units)

**SY-HLZ30**



**SY-HLZ36**



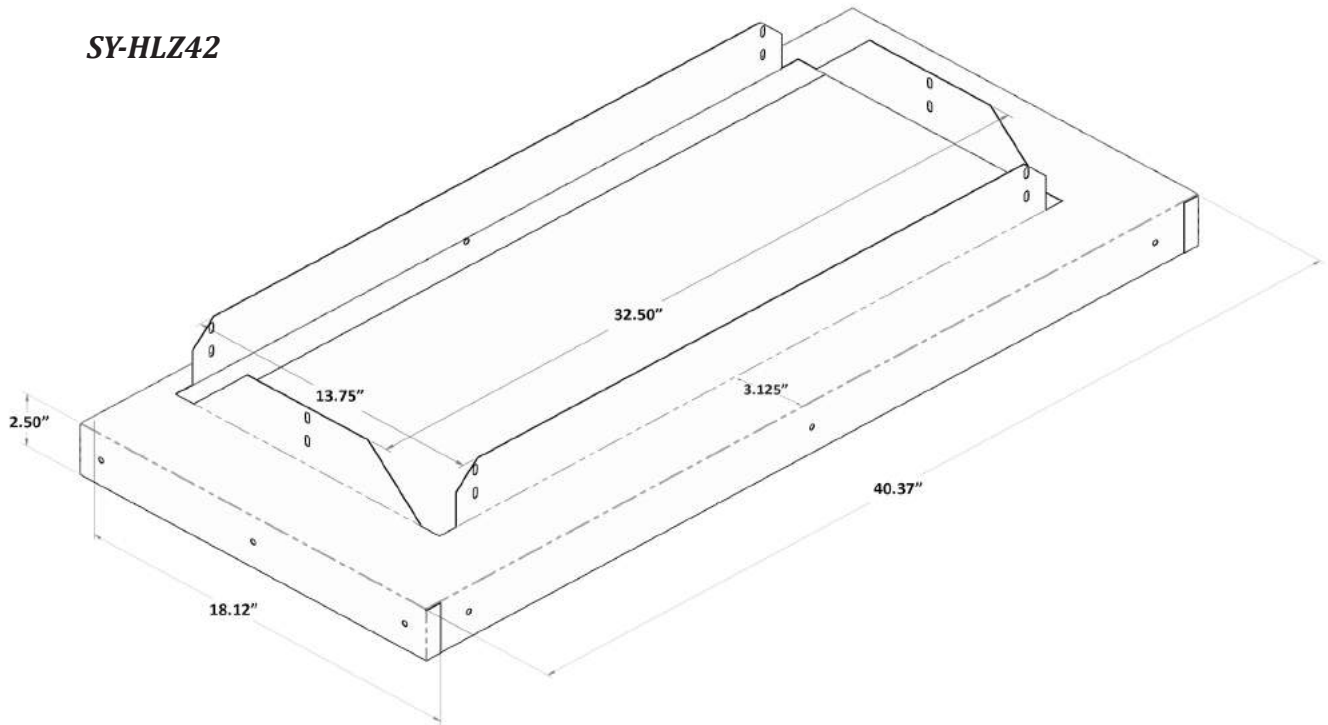
- Stainless Steel Construction (SS430).
- For use in all full Chimney and Mantel style range hood configurations
- SY-HLZ30 and SY-HLZ36 accept SY-HVA-900-SS (900 CFM) unit only



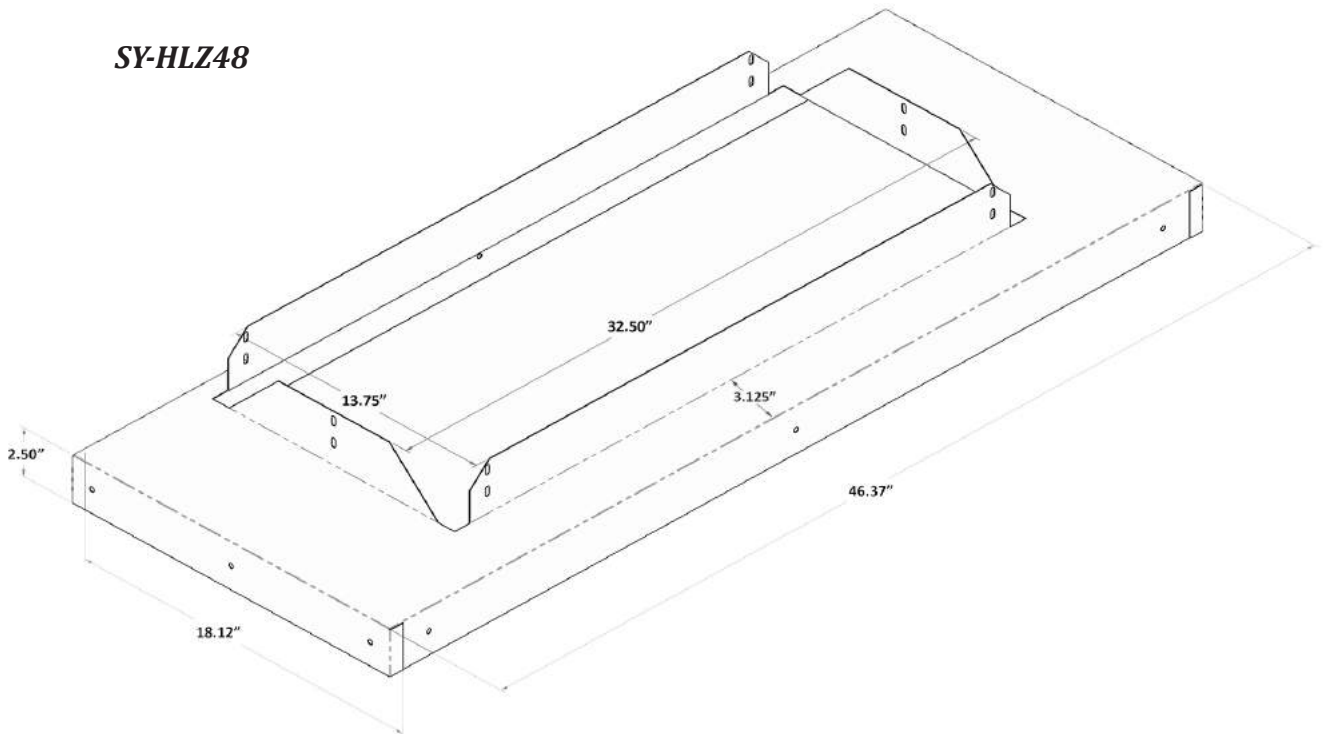
# Large Ventilator Steel Hood Liners for SY-HVA-1200-SS (1200 CFM units)



**SY-HLZ42**



**SY-HLZ48**



- Stainless Steel Construction (SS430).
- For use in all full Chimney and Mantel style range hood configurations
- SY-HLZ42 and SY-HLZ48 accept SY-HVA-1200-SS (1200 CFM ) unit only



# 300 CFM Ventilator Power Pack

## BROAN® Powerpack Insert PM SERIES SY-HV-300SS

The PM300SS built-in powerpack insert offers you a custom appearance while protecting cabinetry with stainless steel liners. Featuring a smooth, stainless steel surface that is easy to clean with quick-release dishwasher-safe filter. The bright LED lighting enhances your cooking experience.

SIZE	STAINLESS	GREASE FILTER (replacement)	NON-DUCTED FILTER
21-3/8 in.	PM300SS	S99100628-121 (Aluminum)	S99010464 (Charcoal)

HVI PERFORMANCE							
Duct Orientation	Size	Damper	Sones		CFM		
			Normal	High	Normal	High 0.25 in. w.g.	High 0.1 in. w.g.
Round - Vertical	7 in.	Not included	3.0	7.0	140	115	260

FEATURES	
Max. Blower CFM*	300
Control type	2-Speed Rocker Switch
Delay off	no
Filter Clean Reminder	no
Heat Sentry™	no
ADA Capable	yes
Lighting	1-level LED (2 LED modules included)
Grease Filter	Micromesh (Qty. 1)
Installation Hardware	Included
ENERGY STAR®	no
Recirculation	Non-ducted kit sold separately

AC INPUT	
120 V, 60 Hz - 2.3 AMPS	

OPTIONAL ACCESSORIES	
Stainless Steel Liners	HLB30SS, HLB36SS, HLB42SS, HLB48SS
ADA Kit	HAWSK3
Non Duct Kit	HARKPM21
Power Cord Kit	HCK44 (U.S.A. only)
Damper	BP87Q
Make-up Air Dampers	MD6TU, MD8TU and MD10TU

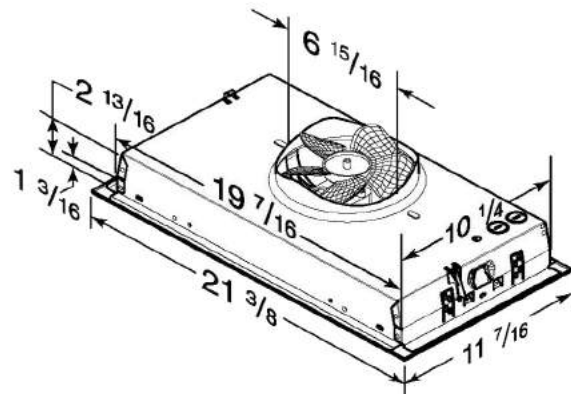
MOUNTING HEIGHT	
24 in. to 30 in. from cooktop to bottom of hood	

LIMITED WARRANTY	
1-year	

**FOR INDOOR USE ONLY**



Will accommodate ranges with up to 30,000 BTU output



Dimensions shown in inches.



Can be used to comply with LEED requirements.



# 400 CFM Ventilator Power Pack



## BROAN®

**Power Pack**  
PM SERIES

### SY-HV-400SS

The PM400SS built-in powerpack insert offers you a custom appearance while protecting cabinetry with stainless steel liners. Featuring a smooth, stainless steel surface that is easy to clean with quick-release dishwasher-safe filter. The bright LED lighting enhances your cooking experience.

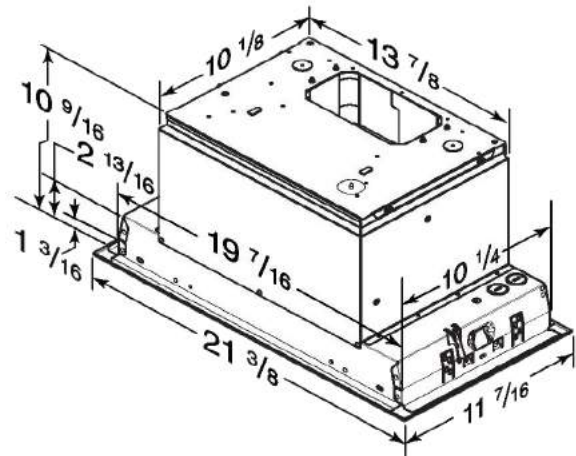
SIZE	STAINLESS	GREASE FILTER (replacement)	NON-DUCTED FILTERS
21-3/8 in.	PM400SS	S99010400 (Aluminum)	S99010464 (Charcoal)

HVI PERFORMANCE									
Duct Orientation	Size	Damper	Sones			CFM			
			Normal	Medium*	High	Normal	Medium*	High 0.25 in. w.g.	High 0.1 in. w.g.
Vertical - Rectangular	3¼ x 10 in.	Included	1.0	3.0	6.0	130	210	380	400
Horizontal - Rectangular	3¼ x 10 in.	Included	1.0	3.0	5.5	120	220	370	400
Round - Vertical	6 in.	Included	1.0	2.0	6.0	120	210	370	390

FEATURES	
Max. Blower CFM**	450
Control type	3-Speed Rotary Switch
Delay off	no
Filter Clean Reminder	no
Heat Sentry™	yes
ADA Capable	no
Lighting	1-level LED (2 LED modules included)
Grease Filter	Micromesh (Qty. 1)
Installation Hardware	Included
ENERGY STAR®	yes
Recirculation	Non-ducted kit sold separately
AC INPUT	
120 V, 60 Hz - 2.3 AMPS	
OPTIONAL ACCESSORIES	
Stainless Steel Liners	HLB30SS, HLB36SS, HLB42SS, HLB48SS
Non Duct Kit	HARKPM21
Power Cord Kit	HCK44 (U.S.A. only)
Hybrid Baffle Filter	HPFBN1
Make-up Air Dampers	MD6TU, MD8TU and MD10TU
MOUNTING HEIGHT	
24 in. to 30 in. from cooktop to bottom of hood	
LIMITED WARRANTY	
1-year	
FOR INDOOR USE ONLY	



- Will accommodate ranges with up to 40,000 BTU output



Dimensions shown in inches.



Can be used to comply with LEED requirements.





# 600 CFM Ventilator Power Pack

## **BROAN** SY-HV-600SSV

### Power Pack PM SERIES

**Description:** Broan® 21" 650 MAX CFM Built-in Power Pack

**Dimensions:** 21 3/8" L x 11 7/16" W x 10 9/16" H

**Control:** Electronic Soft touch – 4-speed, 3-level light

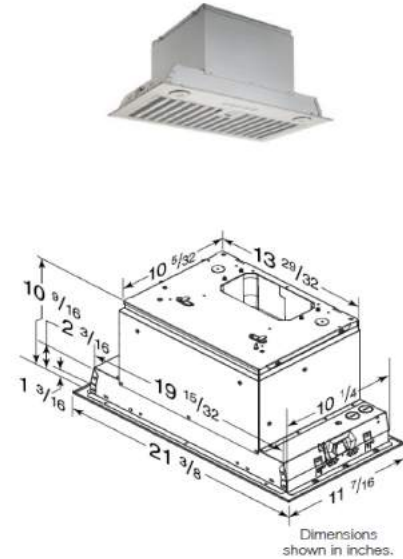
<b>Max. Blower CFM:</b>	650
<b>HVI CFM – Speed 4 (High):</b>	600*
<b>Rated CFM – Speed 3:</b>	300*
<b>Rated CFM – Speed 2 (Normal):</b>	190*
<b>HVI CFM – Speed 1 (Working):</b>	130*
<b>CRT CFM:</b>	300, 400

<b>Sones – Speed 4:</b>	9.5*
<b>Sones – Speed 3:</b>	3.3*
<b>Sones – Speed 2 (Normal):</b>	1.0*
<b>Sones – Speed 1 (Working):</b>	0.8*

\*Rating with 8" round vert.

**LED Lights:**

- **Lumens:** > 300
- **LUX** 500
- **CCT:** 3,000K
- **CRI:** Ra ≥ 80, R9 ≥ 0
- **Luminous Efficacy:** > 90 Lumen/W
- **Lumen Maintenance:** L70 ≥ 25,000 hours
- **Power:** 3W
- **Design Temperature:** 85C



<b>Auto-Sensing:</b>	YES
<b>WiFi:</b>	YES
<b>Heat Sentry</b>	YES
<b>Master On/Off:</b>	YES

- Will accommodate ranges with up to 60,000 BTU output

<b>Filters:</b>	(1) Hybrid Baffle
<b>Ducting:</b>	Vertical: 8" Round, 6" Round, 3 1/4" x 10" Horizontal: 3 1/4" x 10"
<b>Power Requirements:</b>	120 VAC, 60 Hz – TBD AMPS

<b>Energy Star Rated:</b>	NO
<b>ADA Compliant</b>	YES

**Accessories:**

- **Non-duct kit:** HARKPM21
- **ADA Switch Kit:** HAWRK5



# Ascension 350 CFM Economy Ventilator



## SPECIFICATION SHEET



### FEATURES

- Silver Metallic Powder Coated Finish
- 3 Speed motor
- 350 CFM
- 6" Outlet (Transition piece with backdraft damper to round ducting included)
- 2 Directional Lights
- LED (3 watt) lamps included (GU10)
- Aluminum Mesh Filter (dishwasher safe)
- Power supply cord included
- Push Button Controls
- 1 Year Warranty
- Use with SY-HLB or SY-HLT series Liners
- Will accommodate cook-tops with up to 35,000 BTU output

### TYPICAL SPECIFICATION

Power Pack shall be Ascension model SY-HVA-350-SL

Power pack shall have a multi-speed fan switch and separate light switch.

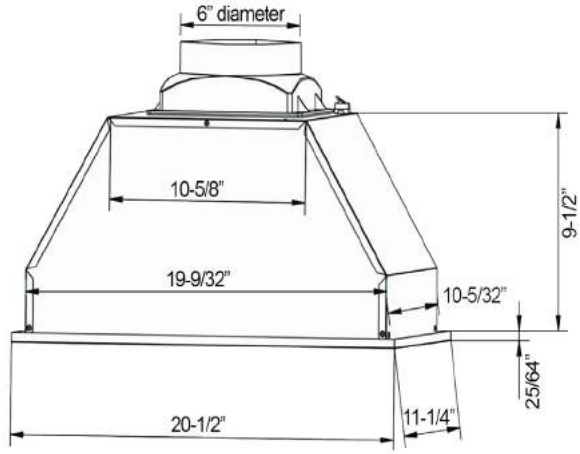
Fan may be ducted externally or redirected via a ductless conversion kit (sold separately).

Fan must be equipped with Aluminum Mesh Filter.

Air delivery to be at least 350 CFM.

Unit shall be ETL listed.

VOLTS	AMPS	CFM	SONES	DUCT
120	1.83	250	4	6" round
120	1.83	300	7	6" round
120	1.83	350	9	6" round





# Ascension 350 CFM Ventilator

## SPECIFICATION SHEET



### FEATURES

- Stainless Steel SS430
- 3 Speed motor
- 350 CFM
- 6" Outlet (Transition piece with backdraft damper to round ducting included)
- 2 Directional Lights
- LED (3 watt) lamps included (GU10)
- Stainless Steel Baffle Filter (dishwasher safe)
- Power supply cord included
- Push Button Controls
- 1 Year Warranty
- Use with SY-HLB or SY-HLT series Liners
- Will accommodate cook-tops with up to 35,000 BTU output

### TYPICAL SPECIFICATION

Power Pack shall be Ascension model SY-HVA-350-SS

Power pack shall have a multi-speed fan switch and separate light switch.

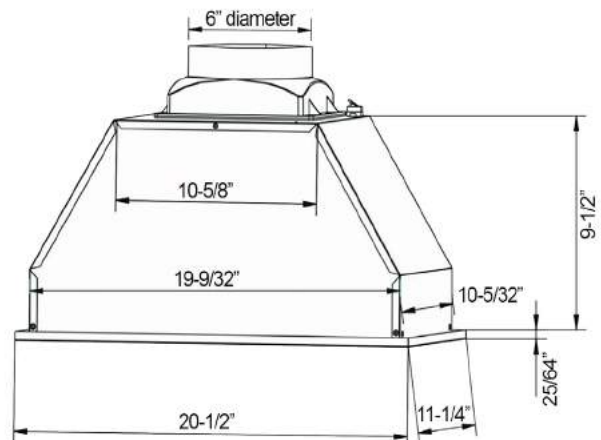
Fan may be ducted externally or redirected via a ductless conversion kit (sold separately).

Fan must be equipped with Stainless Steel baffle filter.

Air delivery to be at least 350 CFM.

Unit shall be ETL listed.

VOLTS	AMPS	CFM	SONES	DUCT
120	1.83	250	4	6" round
120	1.83	300	7	6" round
120	1.83	350	9	6" round





# Ascension 500 CFM Ventilator



## SPECIFICATION SHEET



### FEATURES

- Stainless Steel SS430
- 3 Speed motor
- 500 CFM
- 6" Outlet (Transition piece with backdraft damper to round ducting included)
- 2 Directional Lights
- LED (3 watt) lamps included (GU10)
- Stainless Steel Baffle Filter (dishwasher safe)
- Power supply cord included
- Push Button Controls
- 1 Year Warranty
- Use with SY-HLB or SY-HLT series Liners
- Will accommodate cook-tops with up to 50,000 BTU output

### TYPICAL SPECIFICATION

Power Pack shall be Ascension model SY-HVA-500-SS

Power pack shall have a multi-speed fan switch and separate light switch.

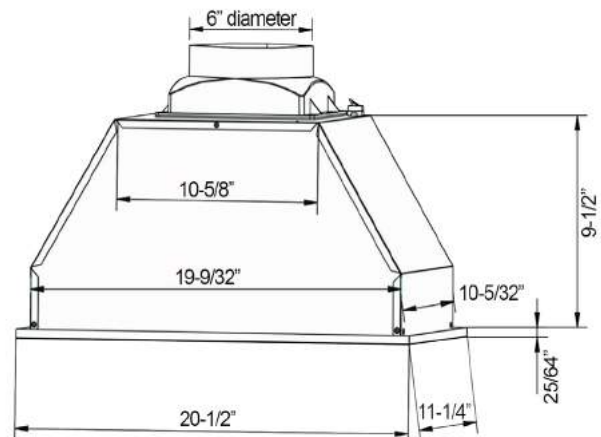
Fan should be ducted externally.

Fan must be equipped with Stainless Steel baffle filter.

Air delivery to be at least 500 CFM.

Unit shall be ETL listed.

VOLTS	AMPS	CFM	SONES	DUCT
120	3.58	250	6	6" round
120	3.58	375	10	6" round
120	3.58	500	14	6" round





# Ascension 620 CFM Ventilator

## SPECIFICATION SHEET



### FEATURES

- Stainless Steel SS430
- 3 Speed motor
- 620 CFM
- 7" Outlet (Transition piece with backdraft damper to round ducting included)
- 2 Directional Lights
- LED (3 watt) lamps included (GU10)
- Hybrid Stainless Steel Baffle Filter with Aluminum Mesh (dishwasher safe)
- Power supply cord included
- Push Button Controls
- 1 Year Warranty
- Use with SY-HLB or SY-HLT series Liners
- Will accommodate cook-tops with up to 65,000 BTU output

### TYPICAL SPECIFICATION

Power Pack shall be Ascension model SY-HVA-620-SS

Power pack shall have a multi-speed fan switch and separate light switch.

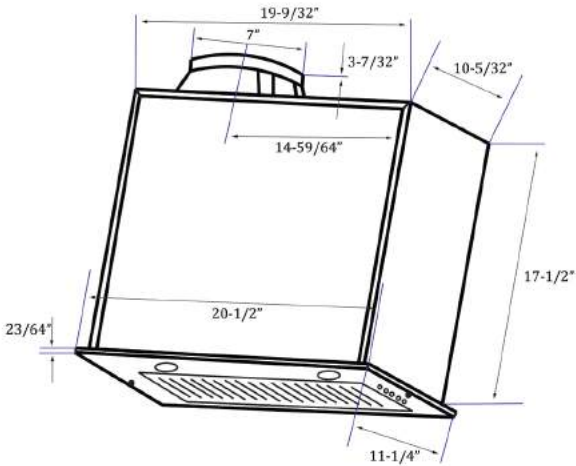
Fan should be ducted externally.

Fan must be equipped with Stainless Steel baffle type filter (or equivalent)

Air delivery to be at least 620 CFM.

Unit shall be ETL listed.

VOLTS	AMPS	CFM	SONES	DUCT
110-120/60hz	2.6	280	2.5	7" outlet
110-120/60hz	2.6	450	6	7" outlet
110-120/60hz	2.6	620	8.5	7" outlet



# 900 CFM Ventilator Power Pack



## SPECIFICATION SHEET



### FEATURES

- Stainless Steel SS430
- 4 Speed motor
- 280/460/670/900 CFM
- 6" Outlet (Transition piece with backdraft damper to round ducting included)
- 2 Directional Lights
- LED (3 watt) lamps included (MR11) 3000k
- Stainless Steel Baffle Filters (dishwasher safe)
- Power supply cord included
- Speed/Timer Panel with LCD (3 minute Auto Timer with delayed shutoff)
- 3 Year Warranty
- Use with SY-HLZ series Liners
- Will accommodate cook-tops with up to 90,000 BTU output

### TYPICAL SPECIFICATION

Power Pack shall be Castlewood model SY-HVA-900-SS.

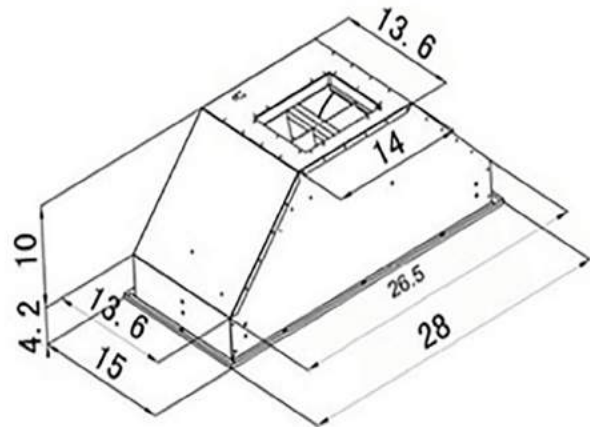
Power pack shall have a multi-speed fan switch and separate light switch.

Fan must be ducted externally.  
Fan must be equipped with Stainless Steel Professional style baffle filters.

Air delivery to be at least 900 CFM and sound levels not greater than 6.5 Sones.

Unit shall be ETL listed.

VOLTS	AMPS	CFM	SONES	DUCT
110	3	280	1.2	6" outlet
110	3	460	2.6	6" outlet
110	3	670	4.2	6" outlet
110	3	900	6.5	6" outlet





# 1200 CFM Ventilator Power Pack

## SPECIFICATION SHEET



### SY-HVA-1200-SS POWER PACK



#### FEATURES

- Stainless Steel SS430
- High Performance Dual Motor
- 280/460/670/1200 CFM
- 8" Outlet (Transition piece to round ducting included)
- 3 Directional Lights
- LED (3 watt) lamps included (MR11) 3000k
- Stainless Steel Baffle Filters (dishwasher safe)
- Power supply cord included
- Speed/Timer Panel with LCD (3 minute Auto Timer with delayed shutoff)
- 3 Year Warranty
- Use with SY-HLZ series Liners
- Will accommodate cook-tops with up to 120,000 BTU output

#### TYPICAL SPECIFICATION

Power Pack shall be Castlewood model SY-HVA-1200-SS.

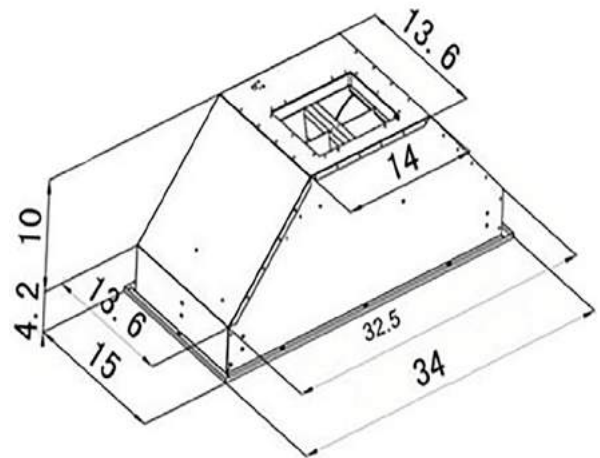
Power pack shall have a multi-speed fan switch and separate light switch.

Fan must be ducted externally.  
Fan must be equipped with Stainless Steel Professional style baffle filters.

Air delivery to be at least 1200 CFM and sound levels not greater than 7 Sones.

Unit shall be ETL listed.

VOLTS	AMPS	CFM	SONES	DUCT
110	3 per motor	280	1.2	8" outlet
110	3 per motor	460	2.8	8" outlet
110	3 per motor	670	5	8" outlet
110	3 per motor	1200	7	8" outlet



Intertek



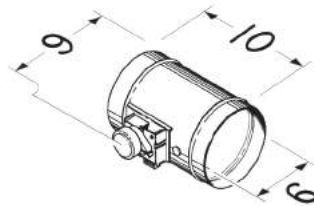
**BROAN** **AUTOMATIC MAKE-UP AIR DAMPER**



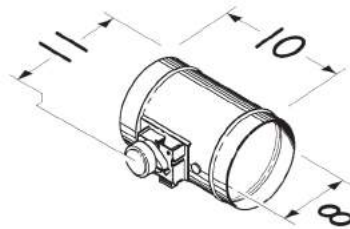
Broan's Automatic Make-up Air Damper provides interlocked damper operation so outside air is only allowed to enter the house when a connected fan or hood is operating.

Model MD6T (for 6" round duct)  
Model MD8T (for 8" round duct)

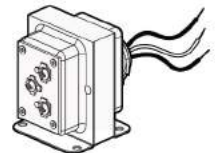
- 24 Volt, 60 Hz AC motor
- Normally closed damper
- Automatically opens when exhaust fans are activated
- Foam seals minimize air leakage
- 24 gauge galvanized steel construction
- Damper adjustment screw for balancing adjustments
- Compatible with select Broan and Ascension ventilation units
- Use with Fresh Air Inlet Model 641FA for 6" dampers, Fresh Air Inlet Model 643FA for 8" dampers (sold separately)
- Includes 24 Volt 20VA transformer



SY-H-MD6T



SY-H-MD8T



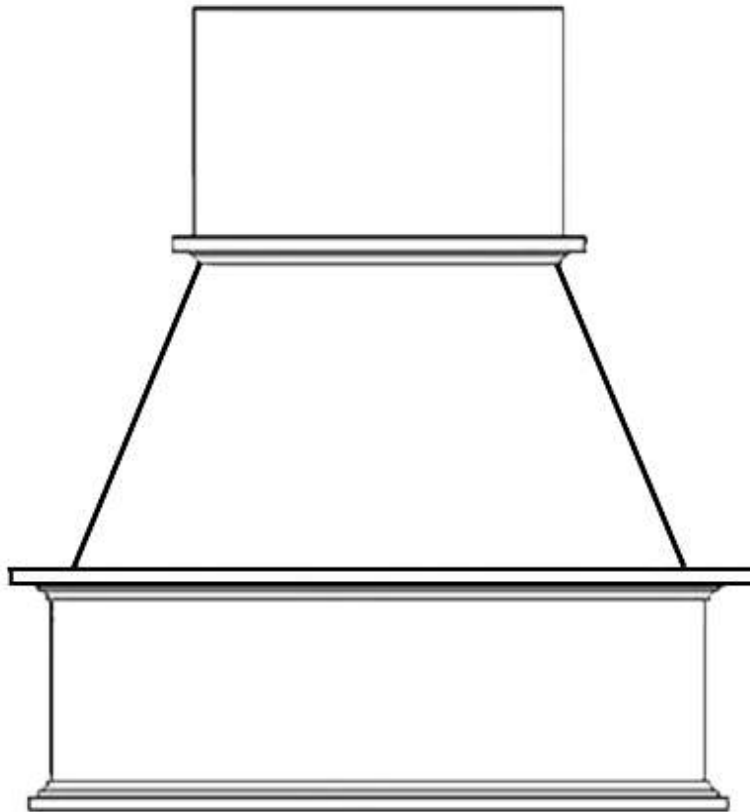
Transformer  
Included with all models



## *Chimney Hood Mounting Instructions*

### **CHIMNEY RANGE HOOD INSTALLATION INSTRUCTIONS:**

- 1) Locate available studs in area where the Chimney Range Hood is to be installed.
- 2) Align Chimney Range Hood so at least two screws will be secured through each mounting strip and into the available studs.
- 3) Refer to manufacturers guidelines that accompany stove/cook-top that will be located beneath Chimney Range Hood.
- 4) Exposed wood edges should be no less than 30" above cooking surface.
- 5) Attach mounting strip (included) to wall using #8 x 2-1/2" framing screws.
- 6) Hang Chimney Range Hood on mounting strip and secure to wall using minimum #8 x 2-1/2" framing screws.
- 7) Install ventilation power pack into steel liner as outlined in ventilator instructions.
- 8) Mount liner/ventilator assembly to inside of hood opening using available mounting holes and secure unit with wood screws (#6 x 1/2").
- 9) Install ductwork or ductless kit according to ventilation manufacturer's guidelines.
- 10) To install Chimney Extension over ductwork the back stretchers may have to be cut. Cut away just enough of the stretcher to fit around the ductwork.
- 11) Secure the Chimney Extension to the Chimney Hood by toe nailing the base of the extension to the hood with brad nails.

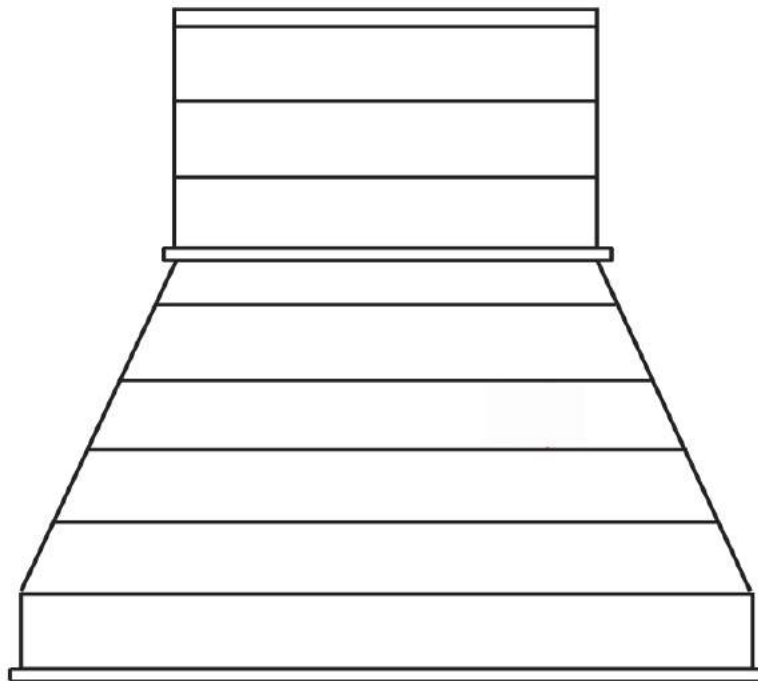


# Shiplap Chimney Mounting Instructions



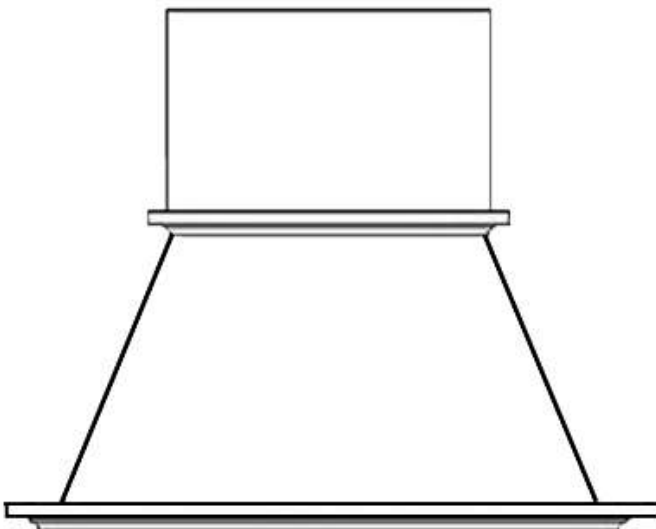
## SHIPLAP CHIMNEY RANGE HOOD INSTALLATION INSTRUCTIONS:

- 1) Remove Shiplap Chimney Extension (shipped inside of Chimney Hood).
- 2) Locate available studs in area where the Shiplap Chimney Range Hood is to be installed.
- 3) Align Shiplap Chimney Range Hood so at least two screws will be secured through each mounting strip and into the available studs.
- 4) Refer to manufacturers guidelines that accompany stove/cook-top that will be located beneath Shiplap Chimney Range Hood.
- 5) Exposed wood edges should be no less than 30" above cooking surface.
- 6) Attach mounting strip (included) to wall using #8 x 2-1/2" framing screws.
- 7) Hang Shiplap Chimney Range Hood on mounting strip and secure to wall using minimum #8 x 2-1/2" framing screws.
- 8) Install ventilation power pack into steel liner as outlined in ventilator instructions.
- 9) Mount liner/ventilator assembly to inside of hood opening using available mounting holes and secure unit with wood screws (#6 x 1/2").
- 10) Install ductwork or ductless kit according to ventilation manufacturer's guidelines.
- 11) Trim Shiplap Chimney Extension to desired height.
- 12) To install Chimney Extension over ductwork the back stretchers may have to be cut. Cut away just enough of the stretcher to fit around the ductwork.
- 13) Secure the Chimney Extension to the Chimney Hood by toe nailing the base of the extension to the hood with brad nails.

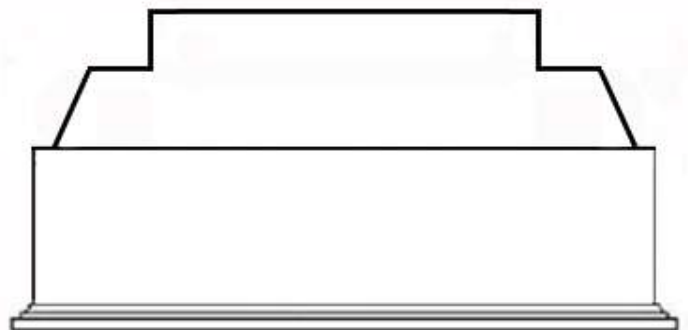


### REMOVABLE ACCESS RANGE HOOD INSTALLATION INSTRUCTIONS:

- 1) Locate available studs in area where the Removable Access Range Hood is to be installed.
- 2) Align the Lower section of the Range Hood so at least two screws will be secured through the back and into each of the available studs.
- 3) Refer to manufacturers guidelines that accompany stove/cook-top that will be located beneath Chimney Range Hood.
- 4) Exposed wood edges should be no less than 30" above cooking surface.
- 5) Attach Lower Section of the Range Hood to wall using #8 x 2-1/2" framing screws.
- 6) Check to make sure Lower Section is secure before proceeding.
- 7) Install steel liner and ventilator in accordance with manufacturer's guidelines.
- 8) Mount liner/ventilator assembly to inside of hood opening using available mounting holes and secure unit with wood screws (#6 x 1/2").
- 9) Attach appropriate ducting and wiring in accordance with manufacturer's guidelines.
- 10) At this time the assembly is ready to be inspected in accordance with local building codes.
- 11) Slide Upper Section of the Range Hood over the Lower Section.
- 12) The two sections should nest with the decorative molding covering the seam between sections.
- 13) Using brad nails, fasten the upper section to lower section through the decorative molding.
- 14) To install Chimney Extension over ductwork the back stretchers may have to be cut. Cut away just enough of the stretcher to fit around the ductwork.
- 15) Secure the Chimney Extension to the Chimney Hood by toe nailing the base of the extension to the hood with brad nails.



*Removable Access Upper Section*



*Removable Access Lower Section*

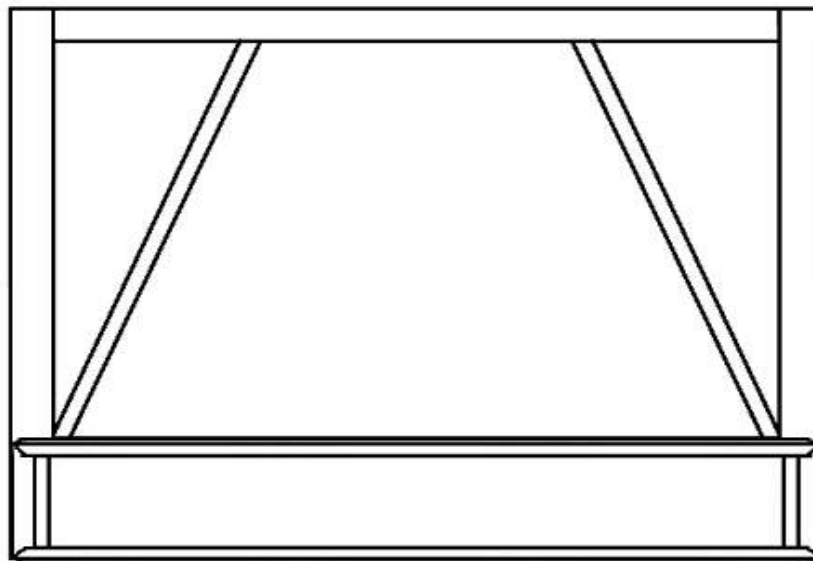


# Range Hood Front Mounting Instructions



## CHIMNEY RANGE HOOD FRONT INSTALLATION INSTRUCTIONS:

- 1) Chimney Range Hood Fronts are designed to be mounted between two wall cabinets.
- 2) Mount wall cabinets as outlined by manufacturer allowing 1/8" more space than the specified range hood width (i.e.; for 30" hood front use 30-1/8" spacing).
- 3) Exposed wood edges should be no less than 30" above cooking surface.
- 4) Drill 2-3 pilot holes horizontally through wall cabinet face frame on each side where range hood front is to be mounted.
- 5) Mount Ventilation Power Pack securely to T-Shaped Steel Liner as outlined in ventilator instruction packet.
- 6) Choose appropriate height and locate Liner/Ventilator assembly between two adjacent wall cabinets so that liner is a minimum of 30" above cooking surface and touching rear wall. The narrow portion of the T-Liner is to be facing forward with the ventilator duct opening pointed up.
- 7) Secure Liner/Ventilator assembly to adjacent wall cabinets with wood screws. Use two screws on each side (#6 x 1/2").
- 8) Fasten Liner assembly to rear wall, screwing into studs where available. If studs are not available, install using drywall anchors.
- 9) Install duct work or ductless kit to ventilator power pack according to manufacturer's guidelines.
- 10) Fit Chimney Range Hood Front into opening between adjacent wall cabinets so it is flush with wall cabinet face frame and covering Liner/Ventilator assembly.
- 11) Secure Chimney Range Hood Front to adjacent wall cabinets on both sides using framing screws (#8 x 2-1/2").

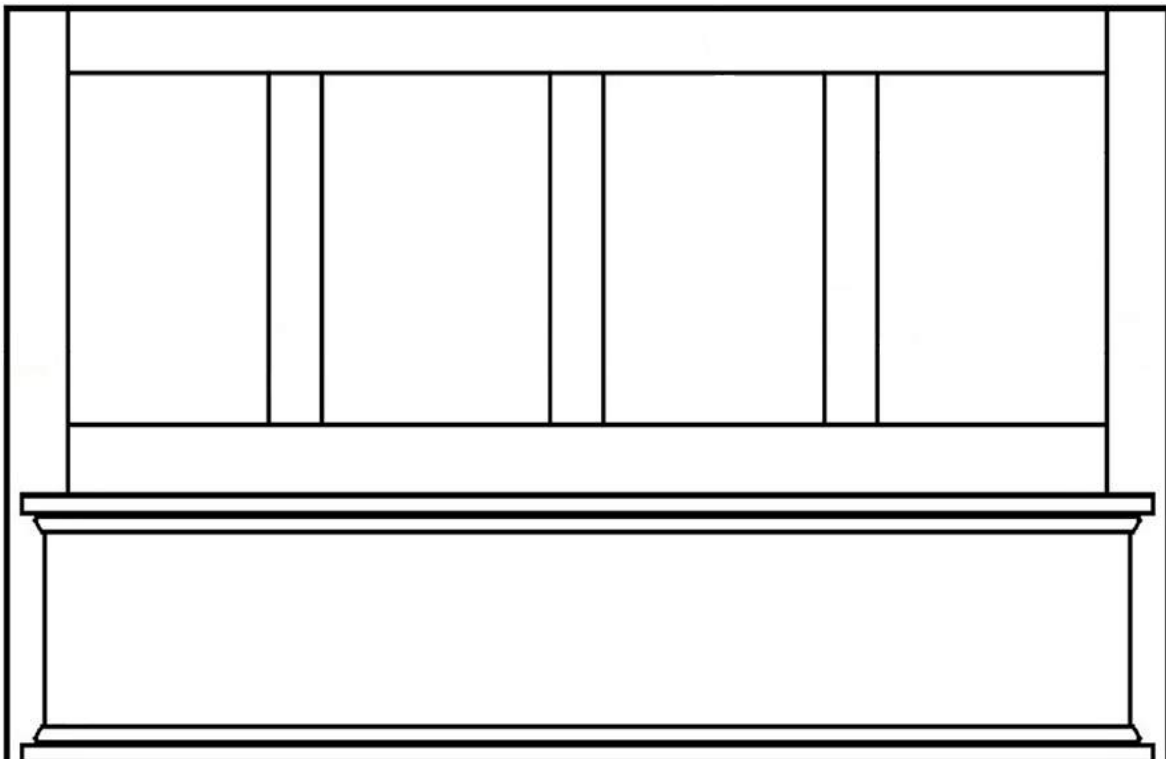




## Mantel Hood Mounting Instructions

### MANTEL RANGE HOOD INSTALLATION INSTRUCTIONS:

- 1) Remove range hood from carton.
- 2) Remove detachable panel (*if applicable*) by grabbing top of panel and pulling forward. Be sure to hold the panel securely to prevent dropping and any resulting damage.
- 3) Locate available studs in area where the Mantel Range Hood is to be installed.
- 4) Measure for desired height keeping in mind that exposed wood edges should be no less than 30" above cooking surface.
- 5) Align mounting strip with beveled edge pointing up and away from wall so that desired installed height of range hood is achieved.
- 6) Secure mounting strip to wall with at least two #8 x 2-1/2" framing screws.
- 7) Lift and hang range hood on mounting strip and finish by installing at least two framing screws thru each plywood mounting rail on back of range hood and into available wall studs.
- 8) Be sure that range hood is securely fastened to wall before attempting to install ventilation unit.
- 9) Install ventilation power pack into steel liner as outlined in ventilator instructions.
- 10) Mount liner/ventilator assembly to inside of hood opening using available mounting holes and secure unit with wood screws (#6 x 1/2").
- 11) Install ductwork or ductless kit according to ventilation manufacturer's guidelines.
- 12) Reinstall detachable panel (*if applicable*) by first seating panel bottom on top of mantel shelf, then aligning clips and applying pressure, first at bottom and then at the top, being careful to keep fastening clips aligned throughout.
- 13) Rehang doors (*if applicable*).

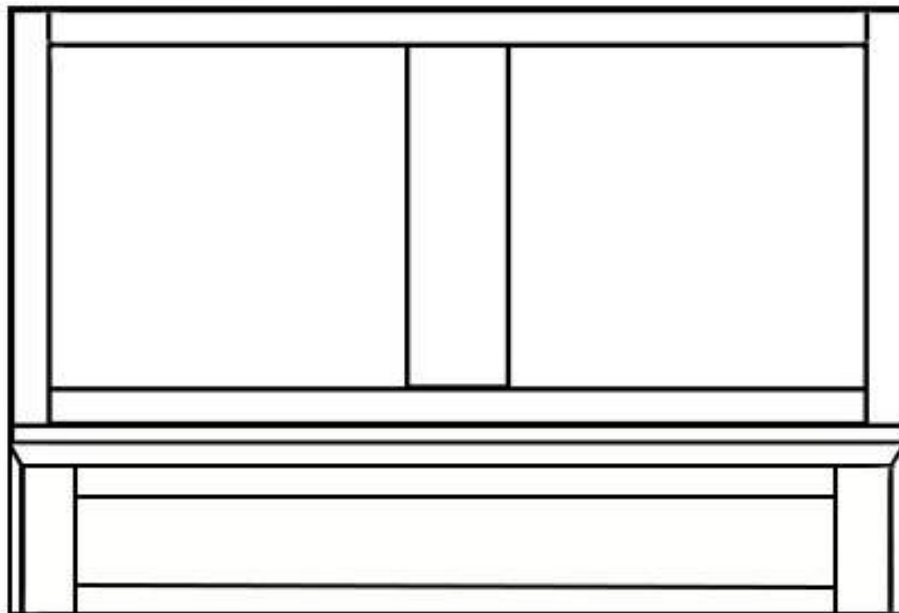


# Mantel Hood Front Mounting Instructions



## MANTEL RANGE HOOD FRONT INSTALLATION INSTRUCTIONS:

- 1) Mantel Range Hood Fronts are designed to be mounted between two wall cabinets.
- 2) Mount wall cabinets as outlined by manufacturer allowing 1/8" more space than the specified range hood width (i.e.; for 30" hood front use 30-1/8" spacing).
- 3) Exposed wood edges should be no less than 30" above cooking surface.
- 4) Drill 2-3 pilot holes horizontally through wall cabinet face frame on each side where range hood front is to be mounted.
- 5) Mount Ventilation Power Pack securely to T-Shaped Steel Liner as outlined in ventilator instruction packet.
- 6) Choose appropriate height and locate Liner/Ventilator assembly between two adjacent wall cabinets so that liner is a minimum of 30" above cooking surface and touching rear wall. The narrow portion of the T-Liner is to be facing forward with the ventilator duct opening pointed up.
- 7) Secure Liner/Ventilator assembly to adjacent wall cabinets with wood screws. Use two screws on each side (#6 x 1/2").
- 8) Fasten Liner assembly to rear wall, screwing into studs where available. If studs are not available, install using drywall anchors.
- 9) Install duct work or ductless kit to ventilator power pack according to manufacturer's guidelines.
- 10) Fit Mantel Range Hood Front into opening between adjacent wall cabinets so it is flush with wall cabinet face frame and covering Liner/Ventilator assembly.
- 11) Secure Chimney Range Hood Front to adjacent wall cabinets on both sides using framing screws (#8 x 2-1/2").
- 12) Install doors or decorative panels using hinges or false front clips (H-1083).

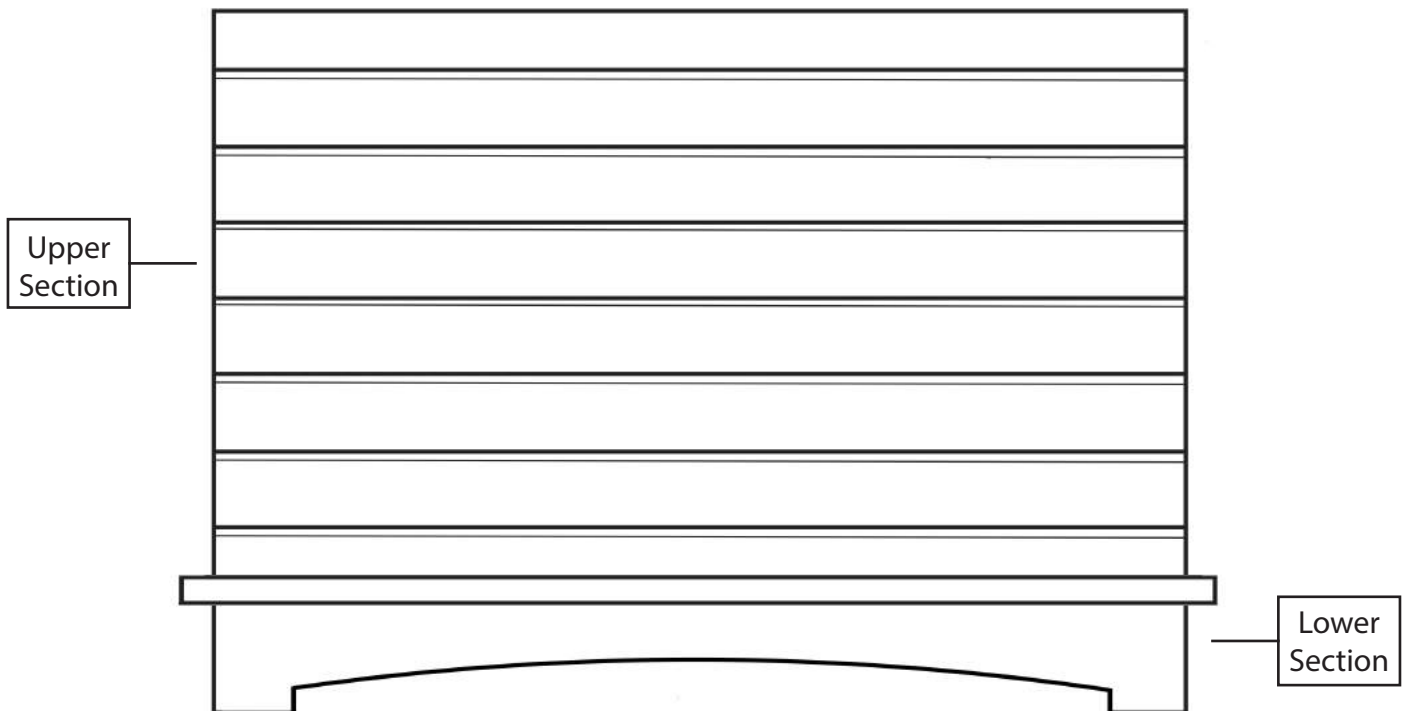




## Box Hood Mounting Instructions

### BOX RANGE HOOD INSTALLATION INSTRUCTIONS:

- 1) Remove range hood from carton.
- 2) Remove detachable panel (*if applicable*) by grabbing top of panel and pulling forward. Be sure to hold the panel securely to prevent dropping and any resulting damage.
- 3) Lift upper hood section up and off hood base assembly and set aside.
- 4) Locate available studs in area where the Box Range Hood is to be installed.
- 5) Measure for desired height keeping in mind that exposed wood edges should be no less than 30" above cooking surface.
- 6) Secure range hood base to wall studs with at least four #8 x 2-1/2" framing screws.
- 7) Be sure that range hood is securely fastened to wall before attempting to install ventilation unit.
- 8) Install ventilation power pack into steel liner as outlined in ventilator instructions.
- 9) Mount liner/ventilator assembly to inside of hood base opening using available mounting holes and secure unit with wood screws (#6 x 1/2").
- 10) Install ductwork or ductless kit according to ventilation manufacturer's guidelines.
- 11) Install upper hood section by lifting and placing on top of the mounted box range hood base.
- 12) Upper box hood section should nest with base assembly. Be sure that top section is aligned with base and flush with back wall.
- 13) Reinstall detachable panel (*if applicable*) by first seating panel bottom on top of mantel shelf, then aligning clips and applying pressure, first at bottom and then at the top, being careful to keep fastening clips aligned throughout.



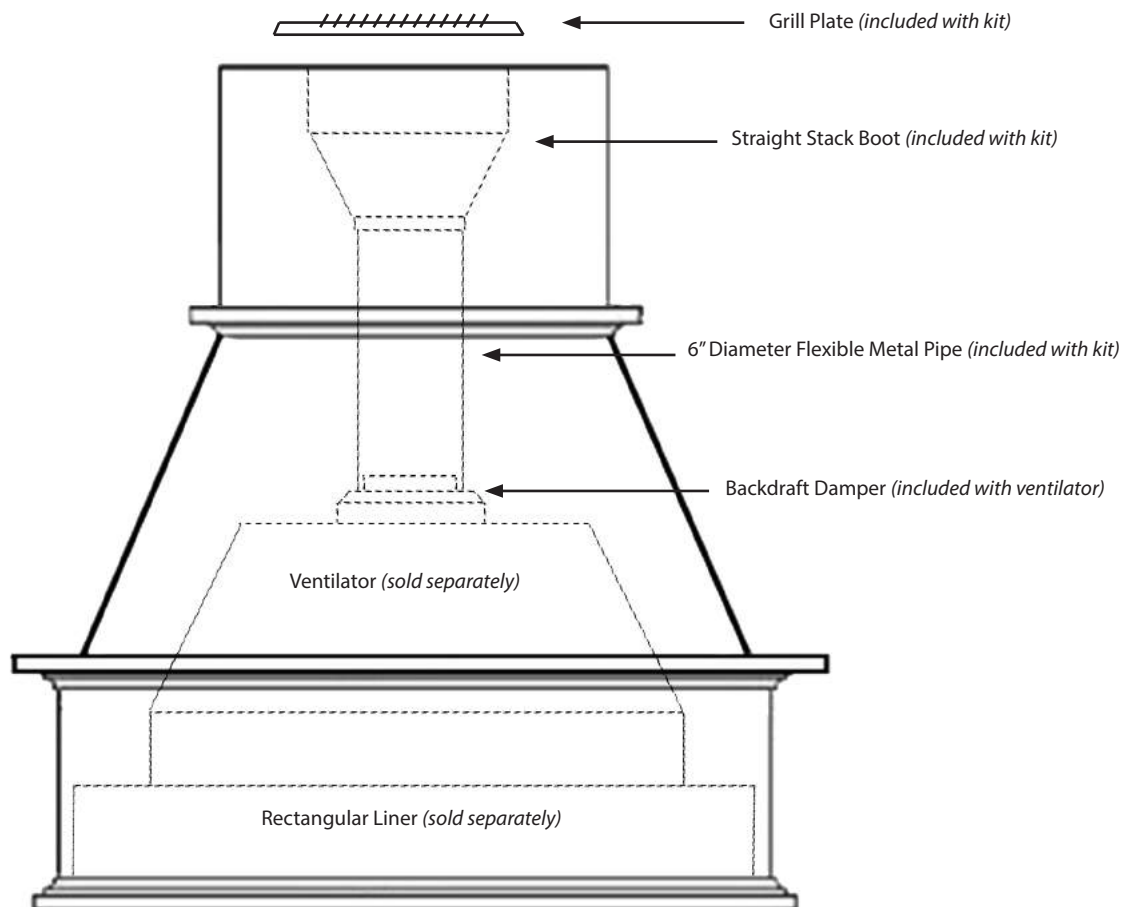
# *SY-HVA-SDK Recirculating Kit Installation for Chimney Range Hoods*



## INSTALLATION INSTRUCTIONS

### SY-HVA-SDK RECIRCULATING KIT FOR OUT THE TOP VENTING USED WITH SY-HVA-350-SL, SY-HVA-350-SS, SY-HVA-500-SS POWER PACKS (Consult local building codes)

- 1) Install SY-HVA-350-SL, SY-HVA-350-SS or SY-HAV-500-SS per installation instructions shipped with unit.
- 2) Remove aluminum filter or baffle filter and insert **charcoal filter** (SY-H-SCF124), reposition aluminum filter or baffle filter over charcoal filter and snap into place.
- 3) Connect **6" Round Flexible Metal Duct Pipe** to backdraft damper with UL listed aluminum foil duct tape. Pipe may need to be trimmed to desired length.
- 4) Connect Straight **Stack Boot** to top of 6" diameter duct pipe. Secure with UL listed aluminum foil duct tape.
- 5) If chimney hood being mounted includes **Chimney Extension**, install extension. A plywood cap may be needed on top of the chimney extension to keep stack boot in place. Cut a 4" x 10" opening in plywood cap aligned with location of stack boot opening.
- 6) Position **Grill Plate** on top of Stack Boot to cover opening.



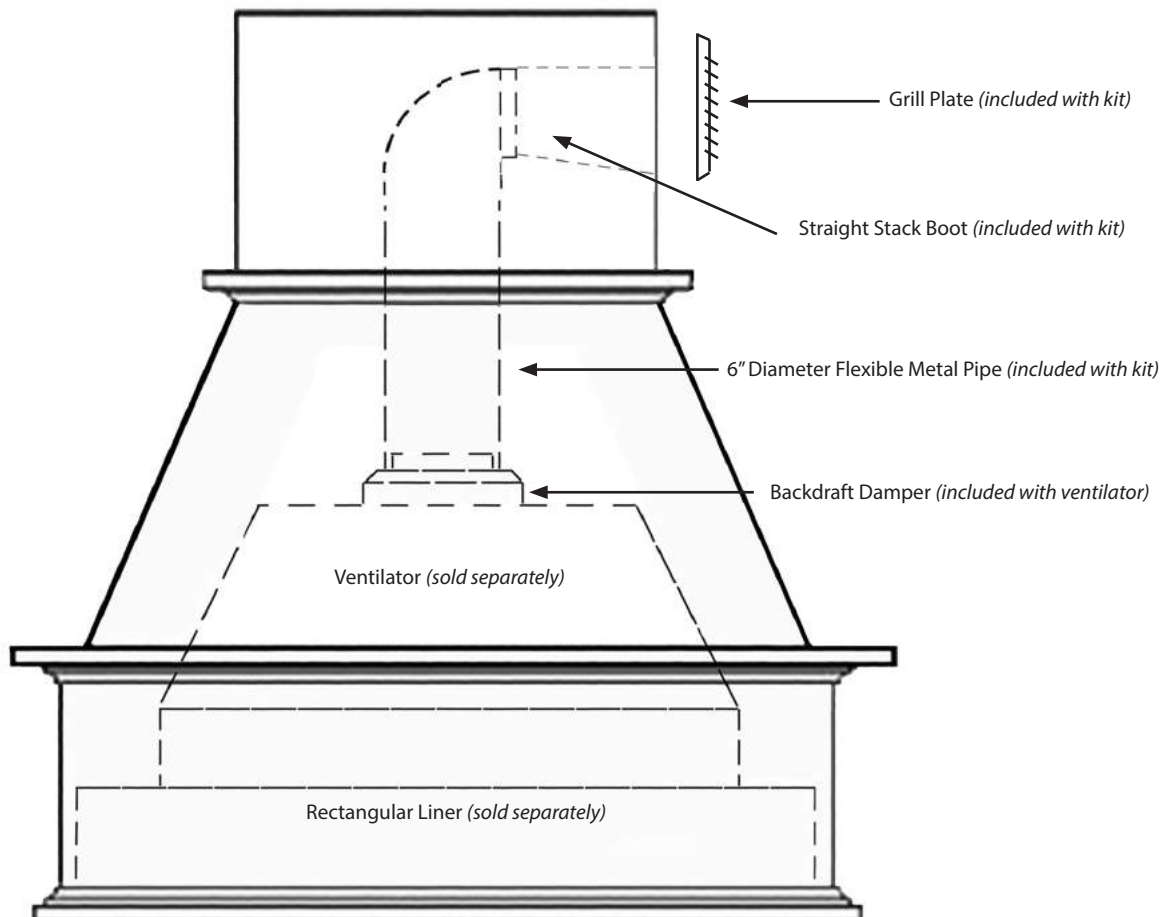
## *SY-HVA-SDK Recirculating Kit Installation for Chimney Range Hoods*

### INSTALLATION INSTRUCTIONS

#### SY-HVA-SDK DUCTLESS CONVERSION KIT FOR OUT THE SIDE VENTING USED WITH SY-HVA-350-SL AND SY-HVA-350-SS POWER PACKS

*(Consult local building codes)*

- 1) Install SY-HVA-350-SL or SY-HVA-350-SS per installation instructions shipped with unit.
- 2) Remove aluminum filter or baffle filter and insert **charcoal filter** (SY-H-SCF124), reposition aluminum filter or baffle filter over charcoal filter and snap into place.
- 3) Connect **6" Round Flexible Metal Duct Pipe** to backdraft damper with UL listed aluminum foil duct tape. Pipe may need to be trimmed to desired length.
- 4) Connect Straight **Stack Boot** to 90° **Elbow**. Secure with UL listed aluminum foil duct tape.
- 5) Carefully bend Flexible Metal Duct Pipe and Stack Boot assembly so that it alligns with desired discharge point making sure bend is gradual and ducting is not kinked.
- 6) Measure and cut a 4" x 10" hole in right or left side of the **Chimney Extension**, positioned in line with the stack boot opening.
- 7) Install Chimney Extension.
- 8) Position **Grill Plate** over opening on side of Chimney Extension.



**Follow these instructions to ensure proper mounting of Floating Shelves and to provide maximum weight capacity.**



## Floating Shelf Bracket Installation Instructions

### Tools Needed

Measuring tape	Pencil	T10 torx drive bit
Laser level (optional)	Impact driver	#1 square drive bit
Level	T25 torx drive bit	Drill
Stud finder		

### Parts Included

[2] Shelf bracket arms	[2] 1.5" self-tapping trim screws
[2] Base plates	[2] 1" self-tapping trim screws
[4] Cabinet screws	[1] 5/32" drill bit
[4] 1-5/8" trim screws	

## Installation Instructions

**Step 1:** Using a laser level or level as a guide, draw a horizontal line on the selected wall or area at the desired installation height taking into account the thickness of the shelf. The line must be as long as the shelf that's being installed.

**Step 2:** Use a stud finder to find wall studs to mount your brackets on within the length of the horizontal line. Use a pencil to draw a vertical line in the center of each stud up 1" from the horizontal line.

**Step 3:** Place the provided adhesive mounting template on the wall where the shelf bracket will be fastened. The top edge of the template should be on the horizontal line and the vertical center line should match the vertical line on the wall.

**Step 4:** With an impact and a T25 drive bit, drive a cabinet screw into the lower indicator on the mounting template, leaving approximately 1/8" between the head of the screw and the wall.

**Step 5:** Fit the base plate on the lower screw and drive the top screw through the upper hole in the base plate.

**Step 6:** Lock the shelf bracket arm into the base plate.

**Step 7:** To level the bracket, place a level on top of the bracket arm and, using an impact with a T25 bit, rotate the bottom screw clockwise or counter-clockwise. Pitch the bracket arm up slightly to compensate for the weight of the shelf. Make sure to level the brackets with each other.

**Step 8:** With an impact and T10 drive bit, drive the 1-5/8" trim screws into the lower two holes in the base plate.

**Repeat steps 3-8 for each shelf bracket.**

**Step 9:** Slide the shelf onto the shelf brackets and push it firmly against the wall. Measure 2" out from the lines drawn in step 2 and use a drill with the 5/32" bit to drill to, but not through, the brackets. Use an impact with a #1 square drive bit to drive a 1" self-tapping screw (for shelves with 1/2" top thickness) or a 1.5" self-tapping screw (for shelves with more than 1/2" top thickness) through each hole and into the brackets to secure the shelf to the wall.



**Follow these instructions to properly replace the control switch assembly in Ascension 350 and 500 CFM ventilation units.**

Installation instructions for replacing push button switch in a SY-HVA-350 ventilator

**Tools required:** Phillips Screwdriver (*preferably with Magnetic Tip*)

- 1) Switch off power to unit by turning off Circuit Breaker.
- 2) Remove Liner/Ventilator Assembly from wooden range hood.
- 3) Remove Ventilator from Liner.
- 4) Remove Light Bulbs.
- 5) Remove Face Plate.
- 6) Remove 2 screws from Switch Housing Bracket located on right side of unit.
- 7) Remove Switch from Switch Housing.
- 8) Remove 2 screws from Electrical Junction Box.
- 9) Make note of Colored Wires.
- 10) Undo Wire Harness one wire at a time and reattach corresponding colored wires from the Replacement Switch using the existing Wire Nuts.

**FROM NEW SWITCH**

GREY TO  
 BLACK TO  
 RED TO  
 YELLOW TO  
 BROWN TO

**FROM MOTOR/LIGHTS/ELECTRICAL CORD**

GREY FROM MOTOR  
 BLACK FROM MOTOR \*(White on SY-HVA-500-SS unit)  
 BROWN FROM MOTOR \*(Black on SY-HVA-500-SS unit)  
 BLACK FROM LIGHTS  
 BLACK FROM ELECTRICAL CORD

- 11) Attach New Switch to Switch Housing Bracket.
- 12) Reinstall Switch Housing Bracket by fastening 2 screws to the Right side of unit.
- 13) Reinstall Electrical Junction Box Cover.
- 14) Reattach Face Plate.
- 15) Reinstall Light Bulbs.
- 16) Plug in Unit and Test.
- 17) Reinstall Liner/Ventilator assembly into wooden range hood.
- 18) Turn on Circuit Breaker.



\* This Switch assembly can also be used on the SY-HVA-500-SS unit.

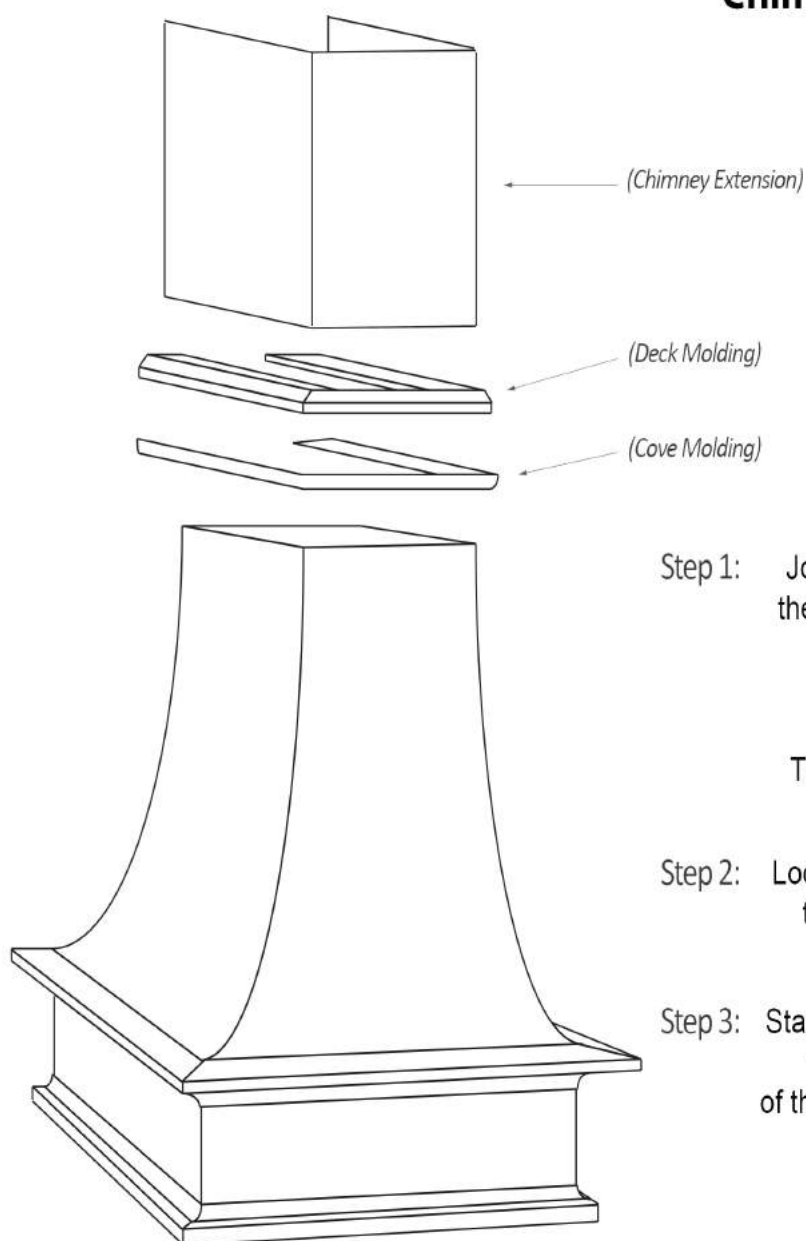




Follow these instructions to properly locate and attach Chimney Extension Trim Kits.



## Chimney Trim Kit Installation



- Step 1: Join the three **deck molding** pieces together at the miters to create a frame and sit the assembly atop chimney hood so the outside edge of the unit overhangs the top edge of the hood by approximately 3/4". The assembled frame may need to be trimmed at the back to achieve the desired depth.
- Step 2: Locate the **decorative cove molding** underneath the deck molding and apply against the body of the range hood.
- Step 3: Stack the **chimney extension** atop the assembled trim kit and set back so approximately 3/4" of the trim kit sticks out past the chimney extension.







Castlewood by AMS  
P.O. Box 788  
Haleyville, AL 35565  
[www.castlewood.com](http://www.castlewood.com)  
[info@castlewood.com](mailto:info@castlewood.com)



*Copyright © 2023 Castlewood by AMS, All rights reserved.*