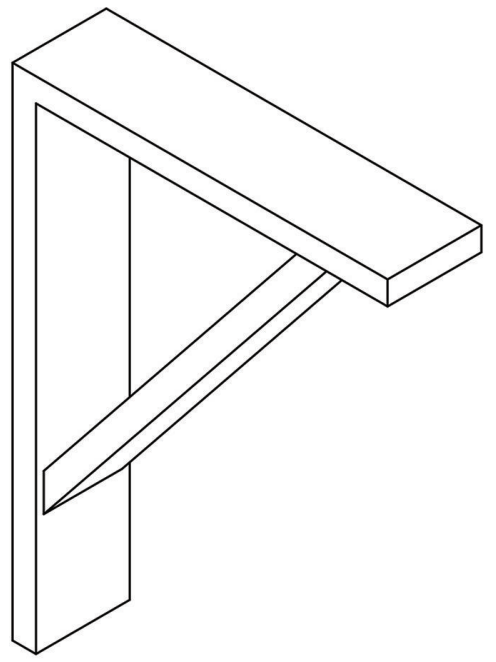
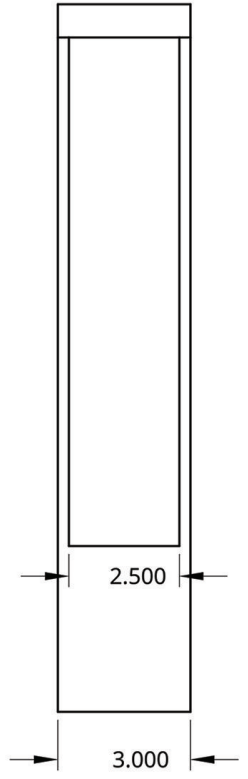
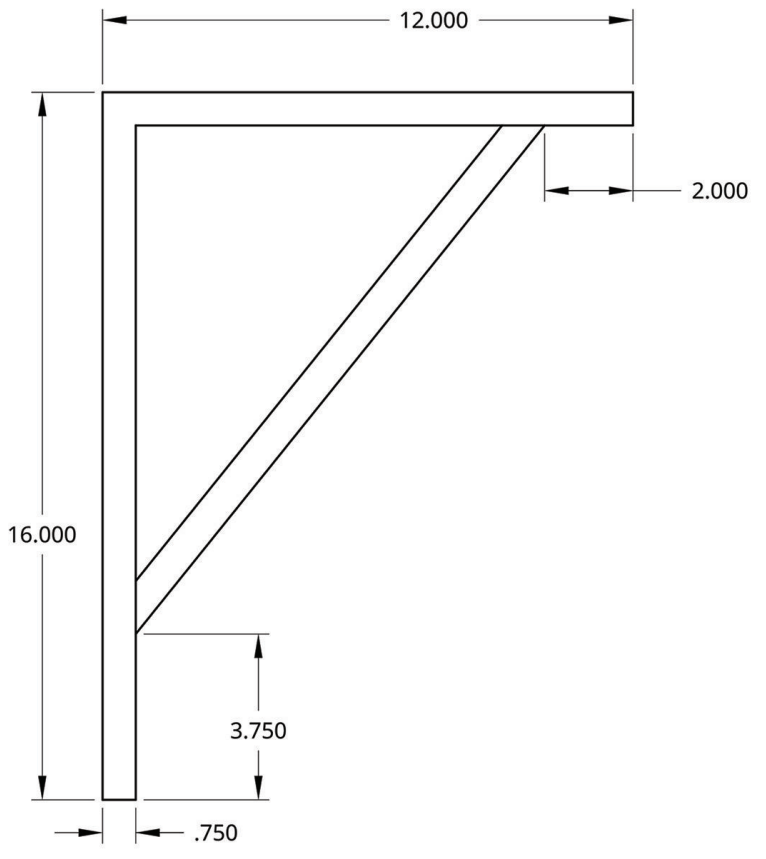



4

3

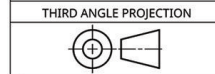
2

1



UNLESS OTHERWISE SPECIFIED,
DIMENSIONS ARE IN INCHES
.XX = ±.0-
.XXX = ±.00-
XXXX = ±.000-
SURFACE FINISH 

DO NOT SCALE DRAWING
BREAK ALL SHARP EDGES AND
REMOVE BURRS



	NAME	DATE
DRAWN	JUSTIN PICKARD	08/27/2020
CHECKED		
APPROVED		

SY-JLBB20		
TITLE		
SIZE	DWG NO.	REV.
B		
SCALE	WEIGHT	SHEET
1:4		1 of 1

4

3

2

1

D

D

C

C

B

B

A

A