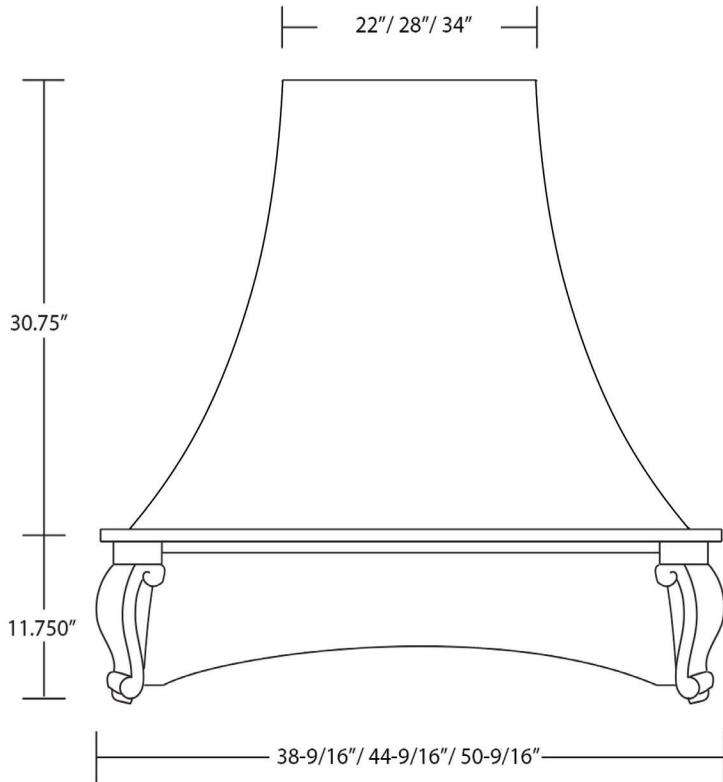


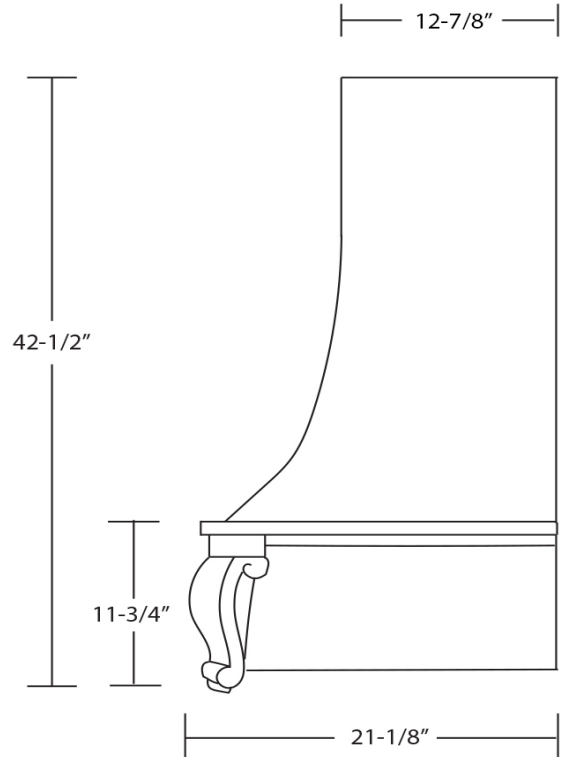
# Epicurean Elite Range Hood



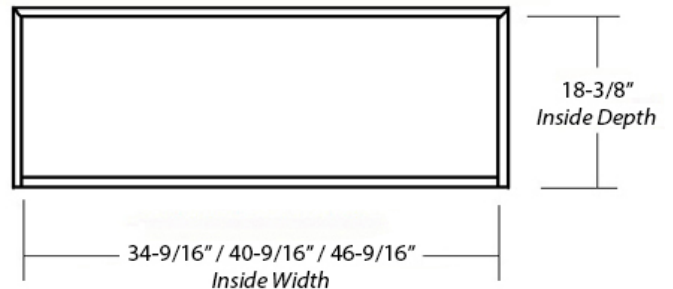
**Front View**



**Side View**



Item #	Dimensions (h) x (w) x (d)	Liner
SY-WCVAC-36	42-1/2" x 38-9/16" x 21-1/8"	SY-HLB-36
SY-WCVAC-42	42-1/2" x 44-9/16" x 21-1/8"	SY-HLB-42
SY-WCVAC-48	42-1/2" x 50-9/16" x 21-1/8"	SY-HLB-48



- Veneer, Hardwood Plywood and Solid Lumber Construction
- 1/2" Rear Plywood Stretchers for wall mounting
- Accepts SY-HLB series Powder Coated or Stainless Steel Liners *(sold separately)*
- Select from 300, 400 and 600 CFM Broan Ventilation power packs *(sold separately)* or
- *Ascension 350SL, 350SS, 500SS and 620SS CFM Ventilation power packs (sold separately)*
- Available in Cherry, Maple and Red Oak
- Optional Detachable Upper Access available
- Optional 14", 24" and 36" height Chimney Extensions available *(requires trim kit)*