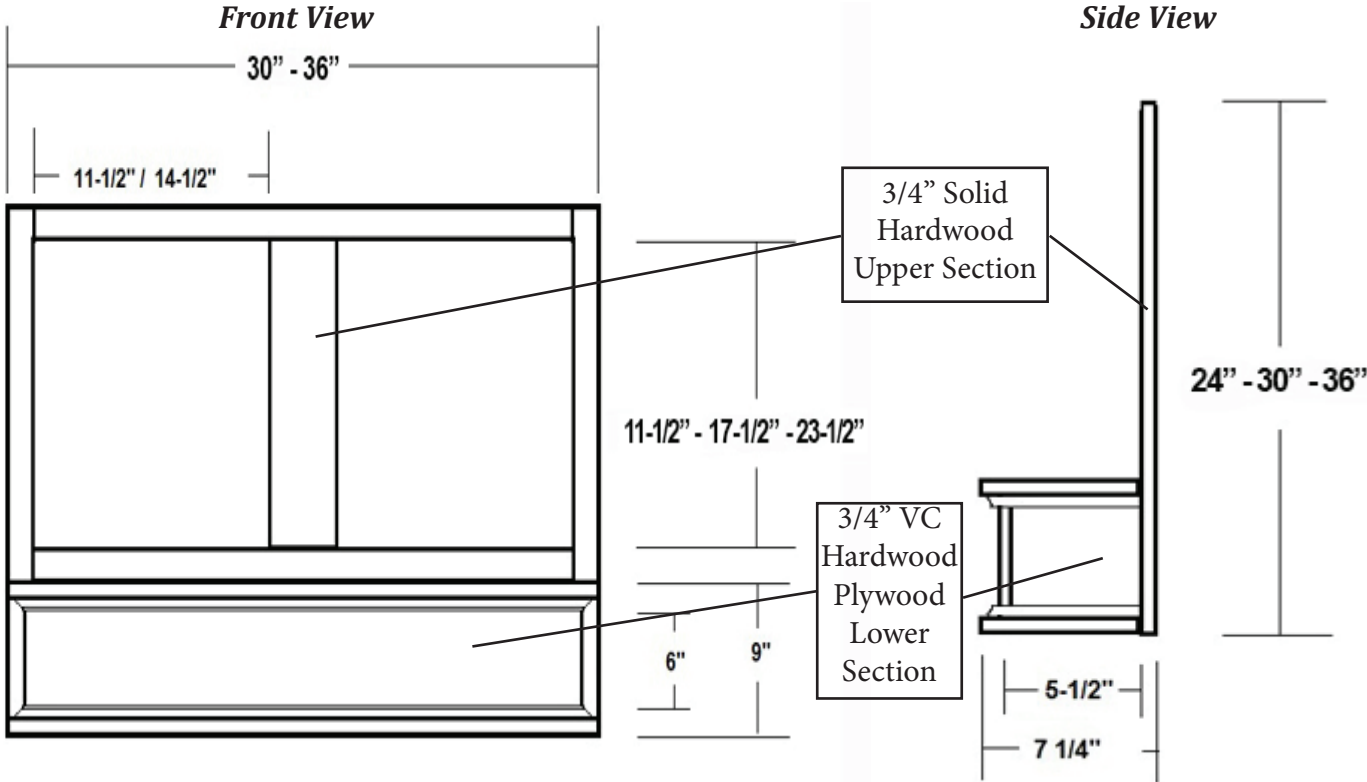
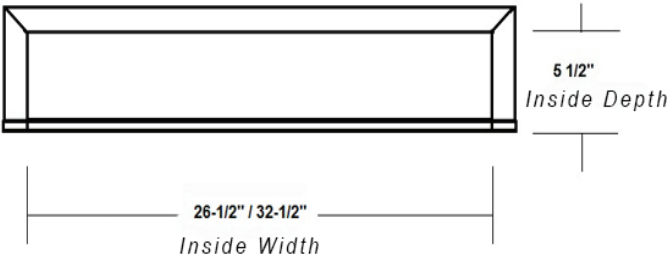




Mantel Style Range Hood Front



Item #	Dimensions (h) x (w) x (d)	Liner
SY-JSVHF3024	24" x 30" x 7-1/4"	SY-HLT-30
SY-JSVHF3030	30" x 30" x 7-1/4"	SY-HLT-30
SY-JSVHF3036	36" x 30" x 7-1/4"	SY-HLT-30
SY-JSVHF3624	24" x 36" x 7-1/4"	SY-HLT-36
SY-JSVHF3630	30" x 36" x 7-1/4"	SY-HLT-36
SY-JSVHF3636	36" x 36" x 7-1/4"	SY-HLT-36



- Hardwood Plywood and Solid Lumber Construction
- Internal bracing with cleats, glue and pocket screws
- Accepts SY-HLT series T-shape Powder Coated Steel Liners (sold separately)
- Select from 250, or 390 CFM Broan Ventilation power packs (sold separately)
- Available in Cherry, Hickory, Maple and Red Oak
- Must be mounted between two wall cabinets
- Base section will accommodate ornaments up to 5" x 24"

