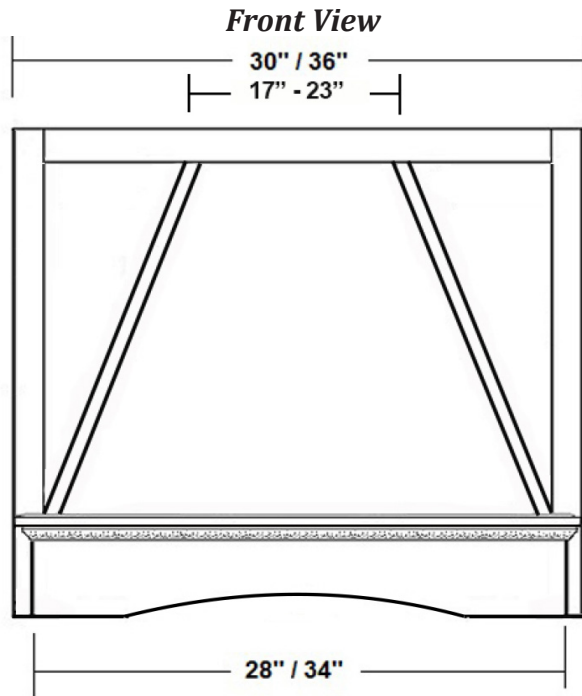
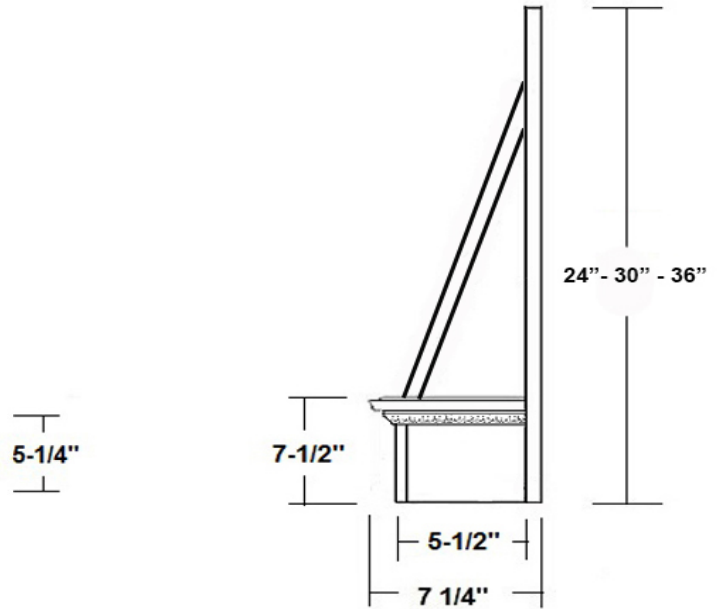




# Applied Molding Chimney Hood Front



Side View



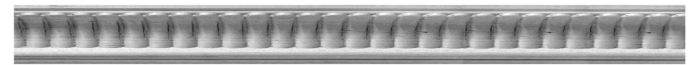
Item #	Dimensions (h) x (w) x (d)	Liner
SY-JCHFA3024	24" x 30" x 7-1/4"	SY-HLT-30
SY-JCHFA3030	30" x 30" x 7-1/4"	SY-HLT-30
SY-JCHFA3036	36" x 30" x 7-1/4"	SY-HLT-30
SY-JCHFA3624	24" x 36" x 7-1/4"	SY-HLT-36
SY-JCHFA3630	30" x 36" x 7-1/4"	SY-HLT-36
SY-JCHFA3636	36" x 36" x 7-1/4"	SY-HLT-36
SY-JCHFE3024	24" x 30" x 7-1/4"	SY-HLT-30
SY-JCHFE3030	30" x 30" x 7-1/4"	SY-HLT-30
SY-JCHFE3036	36" x 30" x 7-1/4"	SY-HLT-30
SY-JCHFE3624	24" x 36" x 7-1/4"	SY-HLT-36
SY-JCHFE3630	30" x 36" x 7-1/4"	SY-HLT-36
SY-JCHFE3636	36" x 36" x 7-1/4"	SY-HLT-36
SY-JCHFR3024	24" x 30" x 7-1/4"	SY-HLT-30
SY-JCHFR3030	30" x 30" x 7-1/4"	SY-HLT-30
SY-JCHFR3036	36" x 30" x 7-1/4"	SY-HLT-30
SY-JCHFR3624	24" x 36" x 7-1/4"	SY-HLT-36
SY-JCHFR3630	30" x 36" x 7-1/4"	SY-HLT-36
SY-JCHFR3636	36" x 36" x 7-1/4"	SY-HLT-36



Acanthus Molding Detail



Egg & Dart Molding Detail



Reeded Molding Detail



26-1/2" / 32-1/2"

Inside Width

5 1/2"

Inside Depth

- Hardwood Plywood and Solid Lumber Construction
- Accepts SY-HLT series T-shape Powder Coated Steel Liners (sold separately)
- Select from 300, 400 and 600 CFM Broan Ventilation power packs (sold separately) or Ascension 350SL, 350SS, 500SS and 620SS CFM Ventilation power packs (sold separately)
- Available in Cherry, Maple and Red Oak
- Must be mounted between two wall cabinets
- Choose Acanthus (A), Egg & Dart (E) or Reeded (R) Moldings

