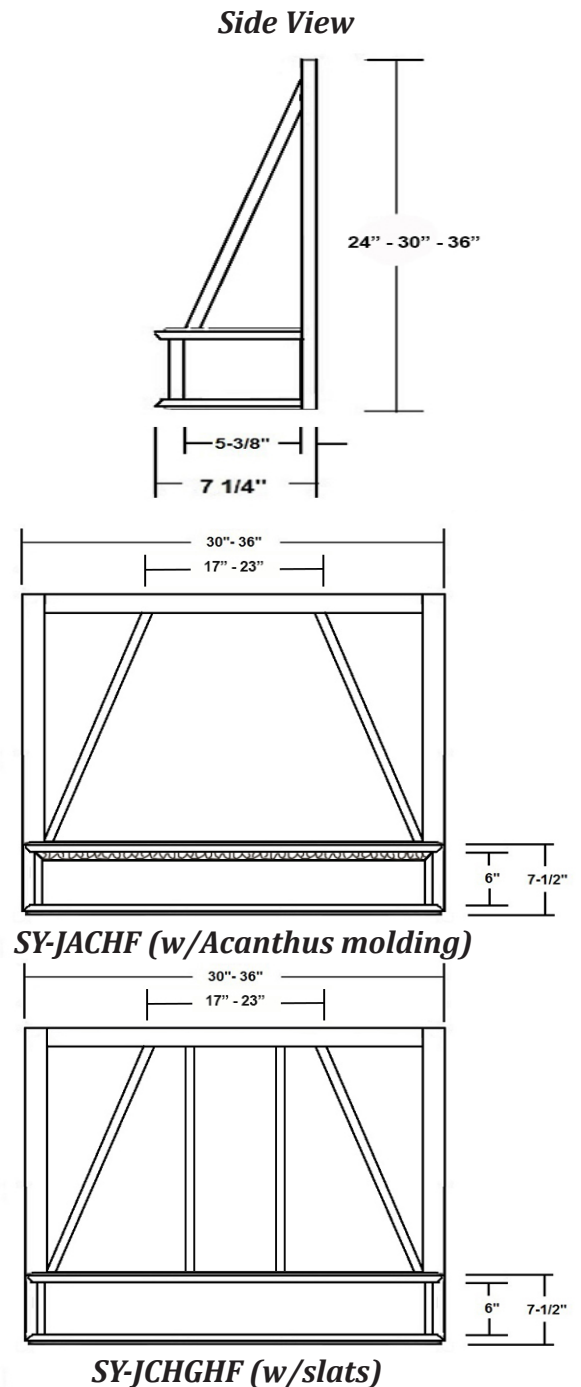
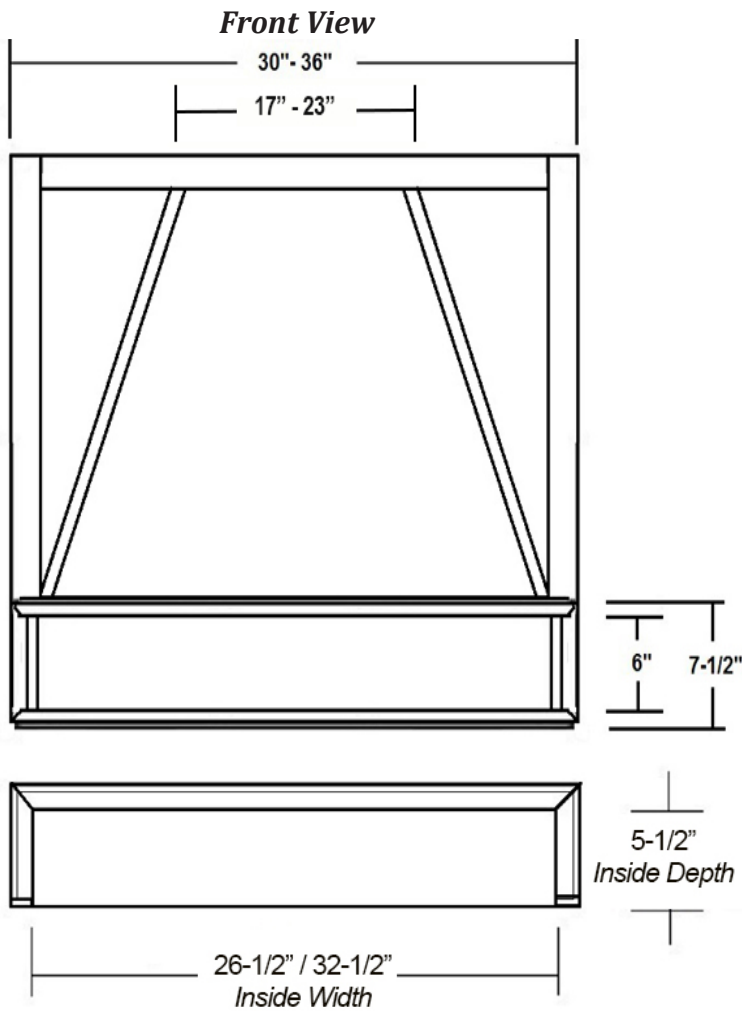


Chimney Style Range Hood Front



Item #	Dimensions (h) x (w) x (d)	Liner
SY-JCHF3024	24" x 30" x 7-1/4"	SY-HLT-30
SY-JCHF3030	30" x 30" x 7-1/4"	SY-HLT-30
SY-JCHF3036	36" x 30" x 7-1/4"	SY-HLT-30
SY-JCHF3624	24" x 36" x 7-1/4"	SY-HLT-36
SY-JCHF3630	30" x 36" x 7-1/4"	SY-HLT-36
SY-JCHF3636	36" x 36" x 7-1/4"	SY-HLT-36

- Hardwood Plywood and Solid Lumber Construction
- Accepts SY-HLT series T-shape Powder Coated Steel Liners (sold separately)
- Select from 300, 400 and 600 CFM Broan Ventilation power packs (sold separately) or Ascension 350SL, 350SS, 500SS and 620SS CFM Ventilation power packs (sold separately)
- Available in Alder, Cherry, Hickory, Maple and Red Oak
- Must be mounted between two wall cabinets
- Optional Acanthus molding available (SY-JACHF)
- Optional vertical molding strip package available (SY-JCHGHF)

