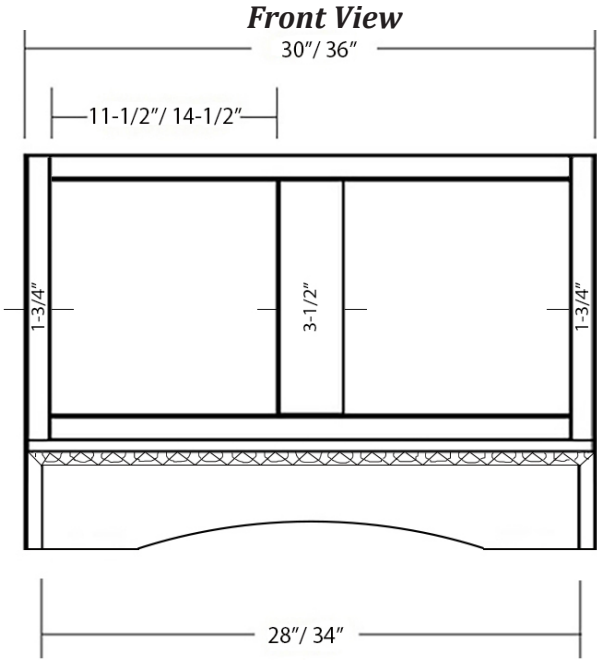
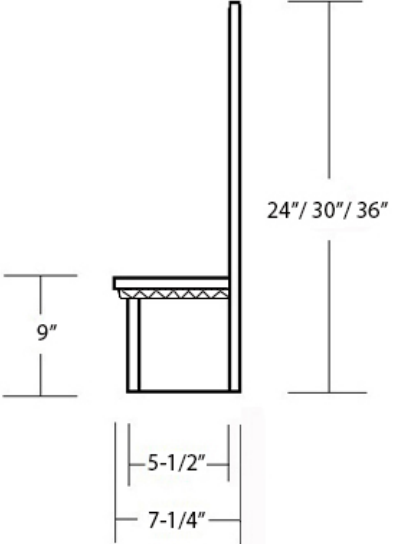




Applied Molding Mantel Hood Front



Side View



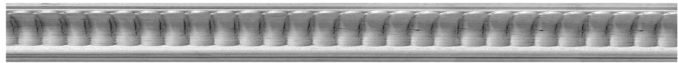
Item #	Dimensions (h) x (w) x (d)	Liner
SY-JAAHF3024	24" x 30" x 7-1/4"	SY-HLT-30
SY-JAAHF3030	30" x 30" x 7-1/4"	SY-HLT-30
SY-JAAHF3036	36" x 30" x 7-1/4"	SY-HLT-30
SY-JAAHF3624	24" x 36" x 7-1/4"	SY-HLT-36
SY-JAAHF3630	30" x 36" x 7-1/4"	SY-HLT-36
SY-JAAHF3636	36" x 36" x 7-1/4"	SY-HLT-36
SY-JEAHF3024	24" x 30" x 7-1/4"	SY-HLT-30
SY-JEAHF3030	30" x 30" x 7-1/4"	SY-HLT-30
SY-JEAHF3036	36" x 30" x 7-1/4"	SY-HLT-30
SY-JEAHF3624	24" x 36" x 7-1/4"	SY-HLT-36
SY-JEAHF3630	30" x 36" x 7-1/4"	SY-HLT-36
SY-JEAHF3636	36" x 36" x 7-1/4"	SY-HLT-36
SY-JRAHF3024	24" x 30" x 7-1/4"	SY-HLT-30
SY-JRAHF3030	30" x 30" x 7-1/4"	SY-HLT-30
SY-JRAHF3036	36" x 30" x 7-1/4"	SY-HLT-30
SY-JRAHF3624	24" x 36" x 7-1/4"	SY-HLT-36
SY-JRAHF3630	30" x 36" x 7-1/4"	SY-HLT-36
SY-JRAHF3636	36" x 36" x 7-1/4"	SY-HLT-36



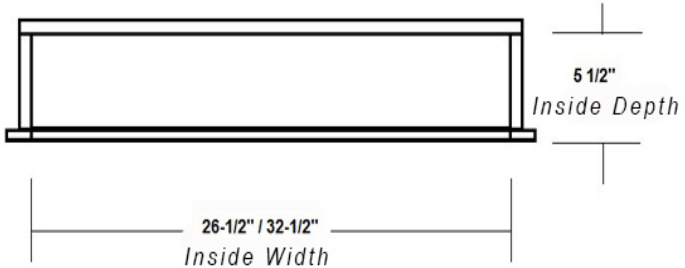
Acanthus Molding Detail



Egg & Dart Molding Detail



Reeded Molding Detail



- Hardwood Plywood and Solid Lumber Construction
- Accepts SY-HLT series T-shape Powder Coated Steel Liners (sold separately)
- Select from 300, 400 and 600 CFM Broan Ventilation power packs (sold separately) or Ascension 350SL, 350SS, 500SS and 620SS CFM Ventilation power packs (sold separately)
- Available in Cherry, Maple and Red Oak
- Designed to be used with customer supplied cabinet doors
- Must be mounted between two wall cabinets
- Choose Acanthus (A), Egg & Dart (E) or Reeded (R) Moldings

