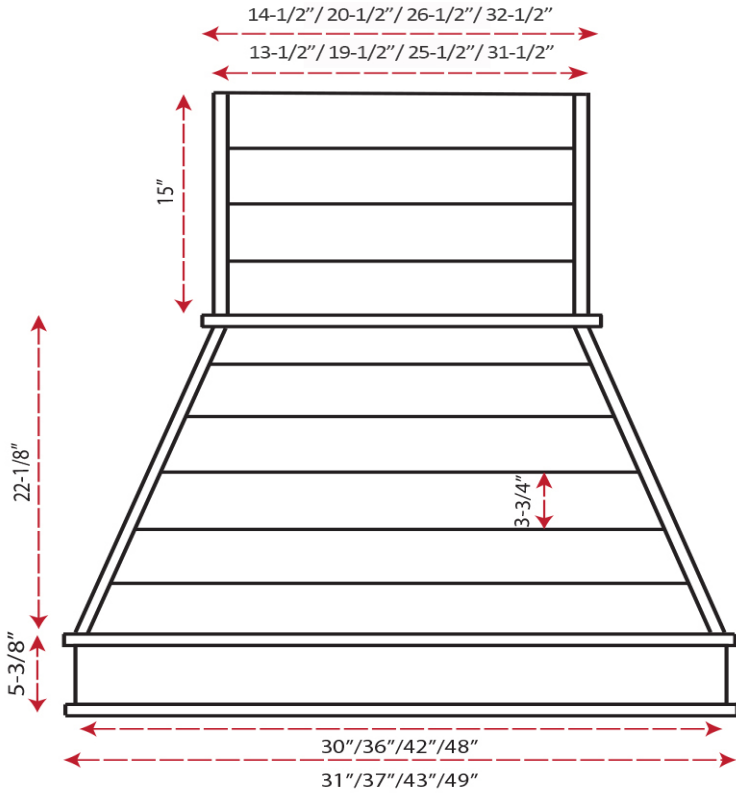


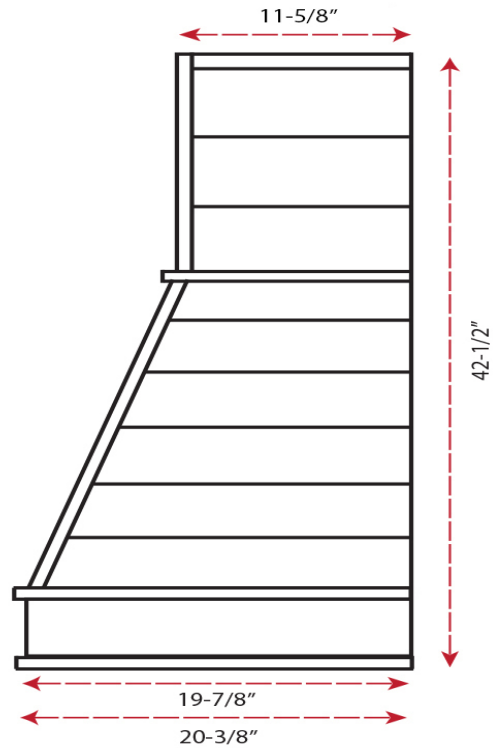
Shiplap Chimney Range Hood



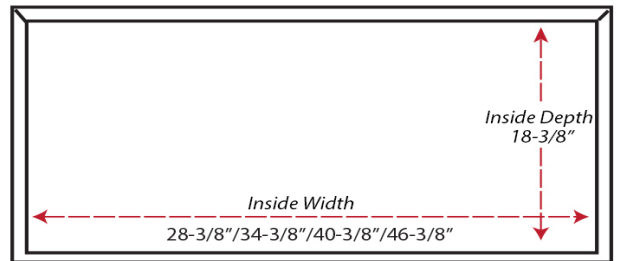
Front View



Side View



Item #	Dimensions (h) x (w) x (d)	Liner
SY-WCSL-30	42-1/2" x 31" x 20-3/8"	SY-HLB-30
SY-WCSL-36	42-1/2" x 37" x 20-3/8"	SY-HLB-36
SY-WCSL-42	42-1/2" x 43" x 20-3/8"	SY-HLB-42
SY-WCSL-48	42-1/2" x 49" x 20-3/8"	SY-HLB-48



- Solid Hardwood Lumber Construction
- 1/2" Rear Plywood Stretchers for wall mounting
- Accepts SY-HLB series Powder Coated or Stainless Steel Liners (sold separately)
- Select from 300, 400 and 600 CFM Broan Ventilation power packs (sold separately) or
- Ascension 350SL, 350SS, and 500SS CFM Ventilation power packs (sold separately)
- Ascension 620SS Ventilation power pack (36" and greater models only)
- Available in Alder, Cherry, Hickory, Maple, Red Oak, and White Oak
- Includes standard Chimney Extension (see drawing)
- Optional Removable Access Panel available
- Optional 26-1/4" and 37-1/2" height Chimney Extensions available