

Castlewood®

ECO 1280-8 Installation Instructions

Tools Needed

- Measuring tape
- Laser level (optional)
- Level
- Stud finder
- Pencil
- Cordless impact driver
- T30 torx drive bit
- Cordless drill
- 1/8" drill bit
- 1/4" drill bit
- 1/2" wrench

Parts Included

- Shelf bracket
- Poly-block
- Double headed lag
- 3.5" structural screw
- 1.5" trim screw

Instructions

Step 1: Using a level or laser level as a guide, draw a horizontal line on the selected wall or area at the desired installation height (don't forget to compensate for the shelf thickness). The line must be as long as the shelf that's being installed. Ensure that the line is level (don't measure from the ceiling or floor as these may not be level).

Step 2: Using a stud finder, find wall studs to mount your brackets on within the length of the horizontal line. After locating the studs, it is important to find the center of the studs for maximum strength. To find the center, either use a stud-finder or use a drill with a 1/8" drill bit to drill holes to the left and right of the stud until you find the edges. Use a pencil to draw a vertical line in the center of each stud up 1/2" from the horizontal line.

Step 3: Place the provided adhesive mounting template on the wall where the shelf bracket will be fastened. The top edge of the template should be on the horizontal line and the vertical center line should match the vertical line on the wall.

Step 4: Use a pencil to extend the poly-block lines on the mounting template up 1".

Step 5: Pre-drill the bottom hole using a drill with a 1/4" bit, drilling through the center of the bottom dot on the mounting template. Drill approximately 3" deep (the hole must be as level as possible).

Step 6: Thread the double headed lag into the pre-drilled hole until the first head on the lag touches the wall.

Step 7: Slip the shelf bracket onto the double headed lag. Hold it so the top is parallel with the top of the template. Fasten the bracket to the wall by using the impact with the T30 bit to drive the 3.5" structural screw through the upper hole of the bracket (this hole may be pre-drilled with a 1/8" drill bit if desired).

Step 8: Repeat steps 3-7 for each shelf bracket.

Step 9: Insert a poly-block into the slot on the side of each shelf bracket, then slide the shelf onto the shelf brackets, leaving a 1.5" gap between the shelf and the wall.

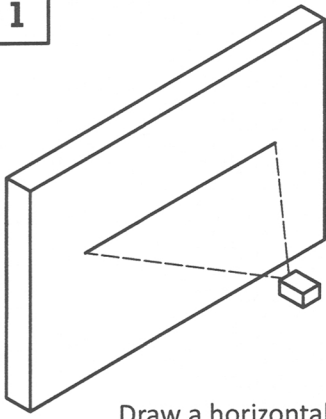
Step 10: To level the shelf, place a level on top of the shelf and, using a 1/2" wrench, rotate the double headed lags clockwise or counter-clockwise. Make sure to level the brackets with each other and level the shelf perpendicular to the wall.

Step 11: Once the shelf is level, push it firmly against the wall. Measure 2" out from the mark you made in step 5 and secure the shelf with the provided 1.5" trim screw (you want this fastener to be as inconspicuous as possible).

If you love your brackets (and we hope you do!), discover more products by visiting us online. Just scan this **QR code** or visit **Castlewood.com**. There you'll find inspiration photos, bracket specs, other products (floating shelves, shelf systems, more brackets, etc.), and information about purchasing more brackets or buying wholesale.



Step 1



Draw a horizontal line at the installation height

Step 2

Find the stud center and draw a 1/2" vertical line

Horizontal line

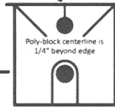
Step 3

Align the template with the lines

Vertical line (stud center)

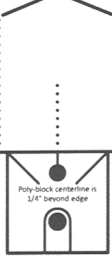
Horizontal line

Mounting template



Step 4

Extend the poly-block lines 1"



Step 5

Pre-drill with 1/4" bit



Step 6

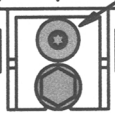
Thread in the double-headed lag



Step 7

Slide on the bracket and align it with the template

Drive the 3.5" screw through the top hole



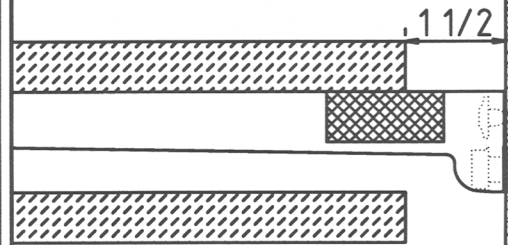
Step 9A

Insert the poly-block



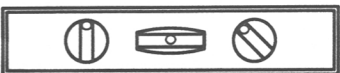
Step 9B

Install the floating shelf, leaving a 1.5" gap between the shelf and the wall



Step 10

Level the shelf



Adjust angle with 1/2" wrench

Step 11

Seat the shelf against the wall and fasten it with the 1.5" trim screw

2

