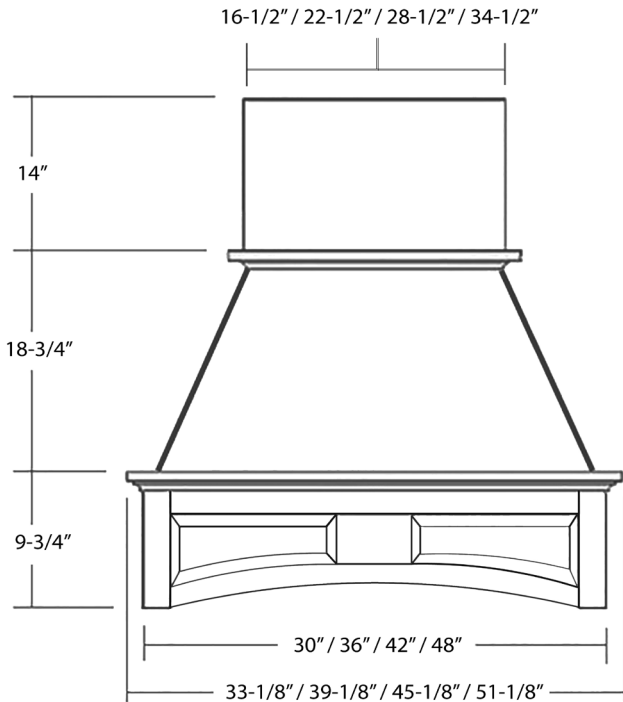


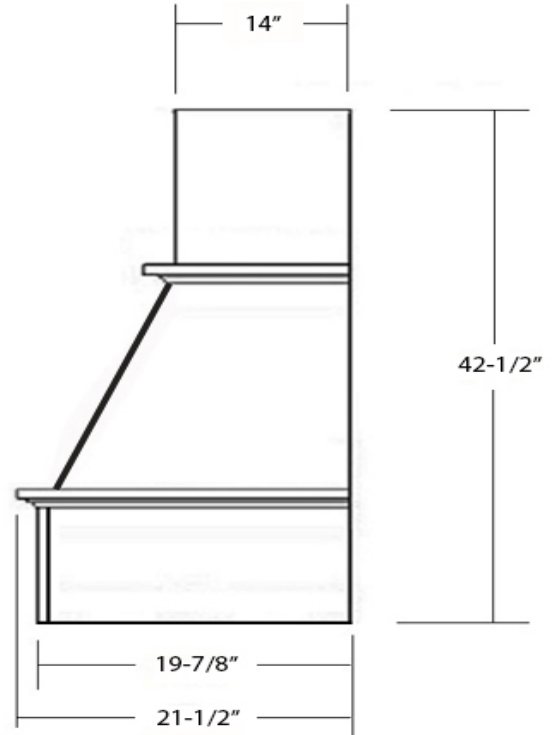
Arched Valance Chimney Range Hood



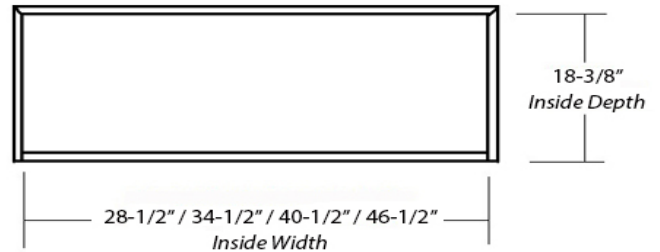
Front View



Side View



Item #	Dimensions (h) x (w) x (d)	Liner	Liner
SY-WCHAP-30	42-1/2" x 33-1/8" x 21-1/2"	SY-HLB-30	SY-HLZ-30
SY-WCHAP-36	42-1/2" x 39-1/8" x 21-1/2"	SY-HLB-36	SY-HLZ-36
SY-WCHAP-42	42-1/2" x 45-1/8" x 21-1/2"	SY-HLB-42	SY-HLZ-42
SY-WCHAP-48	42-1/2" x 51-1/8" x 21-1/2"	SY-HLB-48	SY-HLZ-48



- Hardwood Plywood and Solid Lumber Construction
- 1/2" Rear Plywood Stretchers for wall mounting
- Accepts SY-HLB series Powder Coated or Stainless Steel Liners *(sold separately)*
- Select from 250, 390, and 500 CFM Broan Ventilation power packs *(sold separately)* or
- Ascension 350SL, 350SS and 500SS CFM Ventilation power packs *(sold separately)* or
- 30" and 36" models accept Z-Line 900 CFM Professional Ventilators *(requires HLZ series Liners)*
- 42" and 48" models accept Z-Line 1200 CFM Professional Ventilators *(requires HLZ series Liners)*
- Available in Cherry, Maple and Red Oak
- Includes standard 14" height Chimney Extension *(packaged separately)*
- Optional 24" and 36" height Chimney Extensions available

