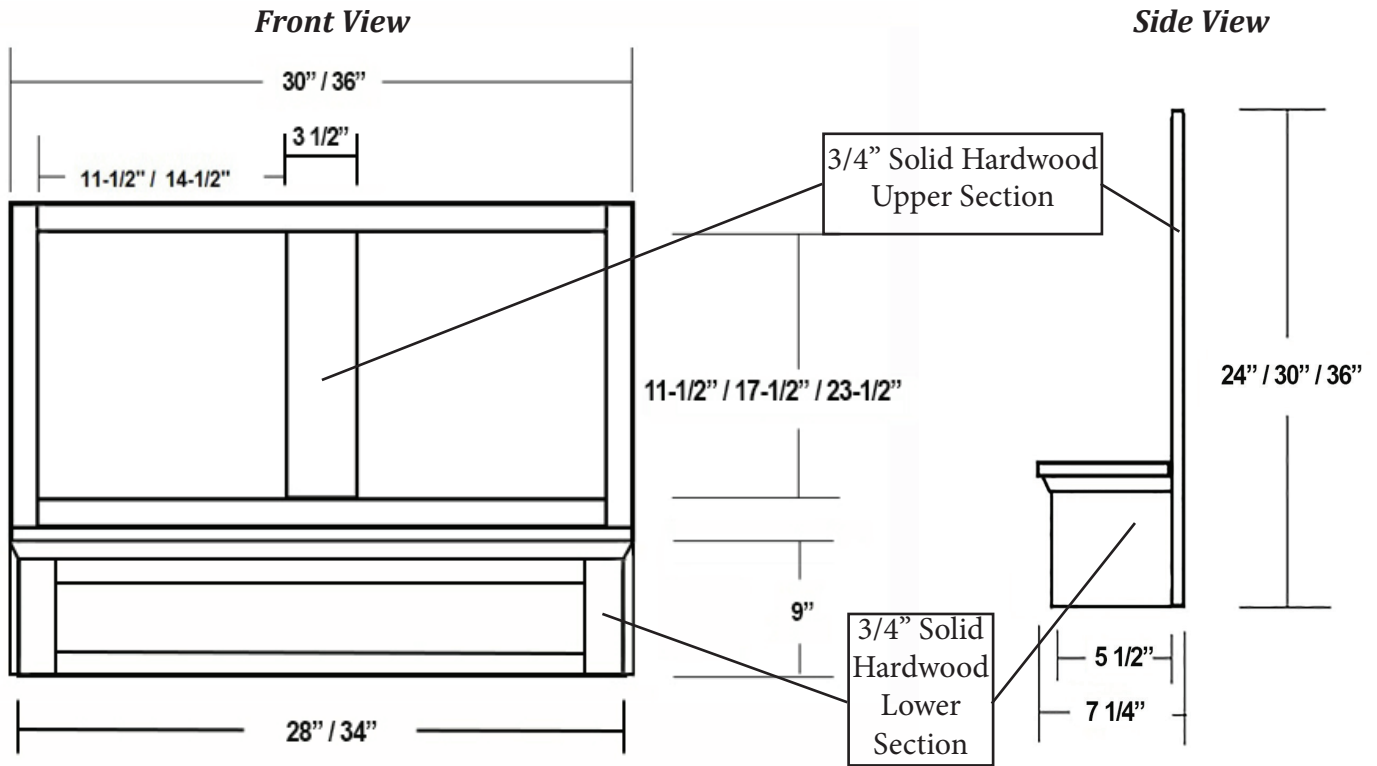
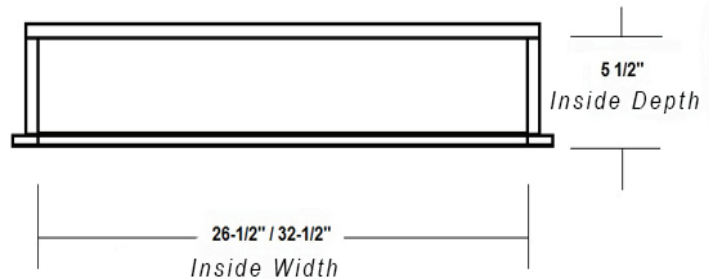


Shaker Mantel Range Hood Front



Item #	Dimensions (h) x (w) x (d)	Liner
SY-JSMHF3024	24" x 30" x 7-1/4"	SY-HLT-30
SY-JSMHF3030	30" x 30" x 7-1/4"	SY-HLT-30
SY-JSMHF3036	36" x 30" x 7-1/4"	SY-HLT-30
SY-JSMHF3624	24" x 36" x 7-1/4"	SY-HLT-36
SY-JSMHF3630	30" x 36" x 7-1/4"	SY-HLT-36
SY-JSMHF3636	36" x 36" x 7-1/4"	SY-HLT-36



- Hardwood Plywood and Solid Lumber Construction
- Internal bracing with cleats, glue and pocket screws
- Accepts SY-HLT series T-shape Powder Coated Steel Liners (*sold separately*)
- Select from 250, or 390 CFM Broan Ventilation power packs (*sold separately*)
- Available in Alder, Cherry, Hickory, Maple and Red Oak
- Must be mounted between two wall cabinets

