

# ASCENSION™

KITCHEN  
VENTILATION

## Installation Guide and User Manual

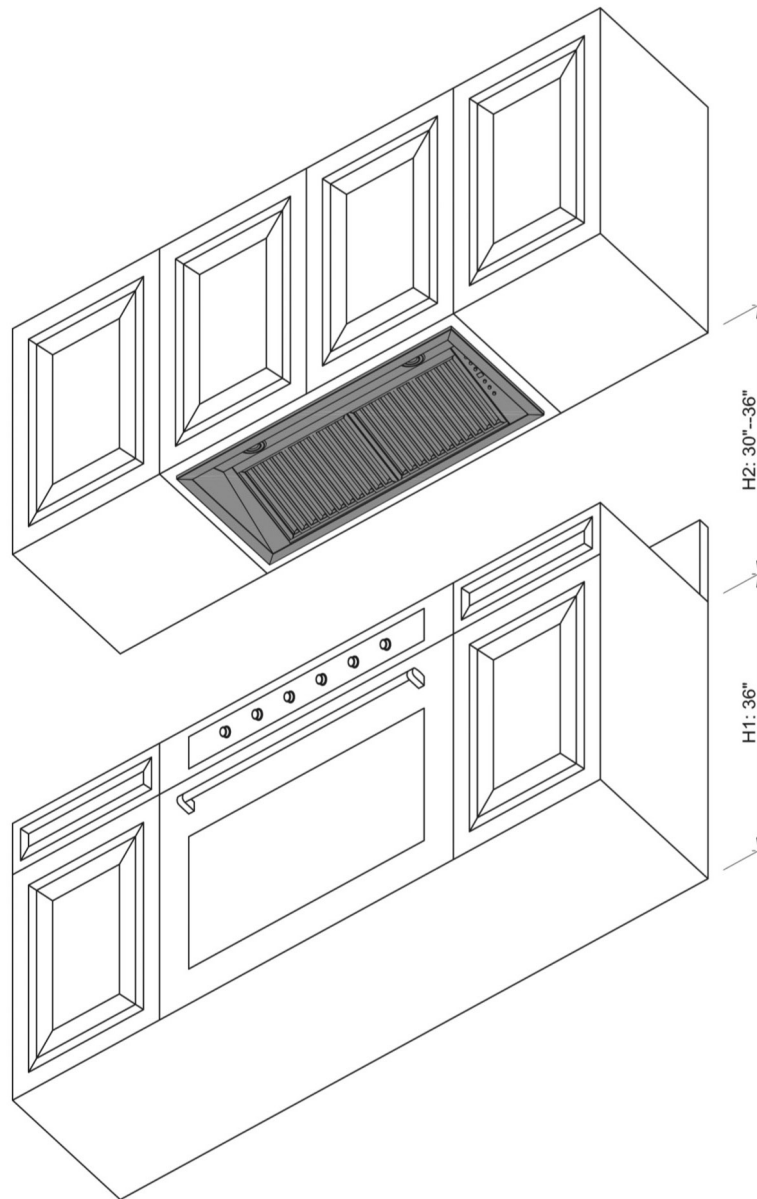
Important: Read and save these instructions.

Notice:

Installer: Leave this guide with homeowner

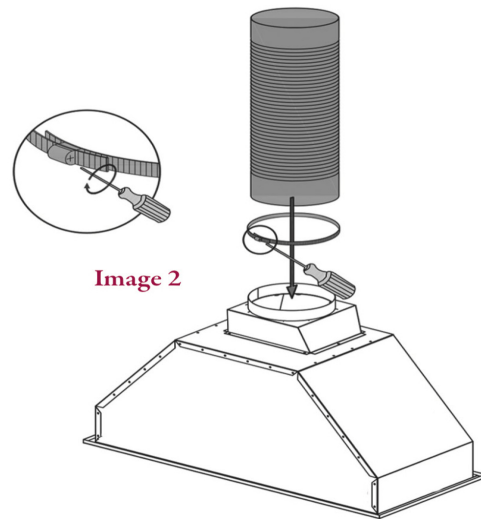
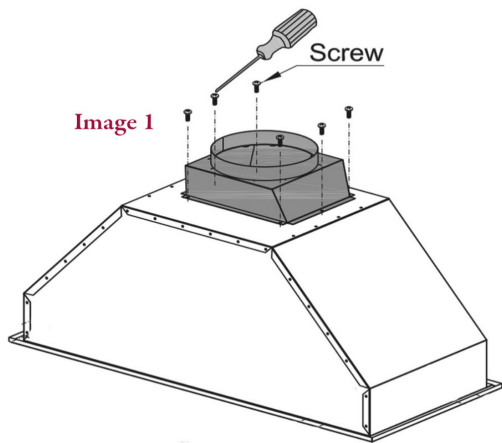
Homeowner: Keep this guide for future reference

# Ventilation Insert Installation Guide



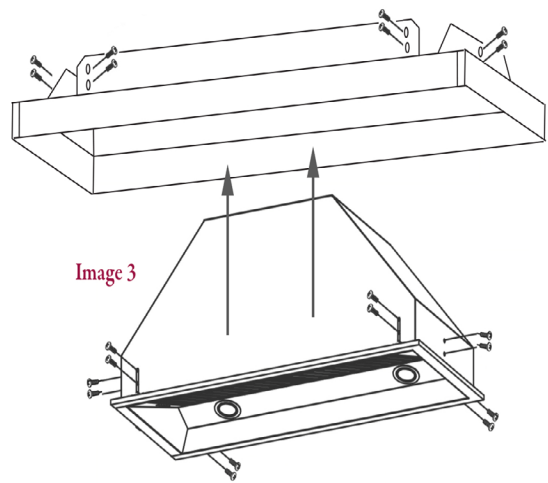
When installing a Ventilation Insert, it is recommended to install the unit a minimum of 30" above the cooktop surface.

For outdoor Ventilation Inserts, it is recommended to install the unit at least 36" above the grill surface.

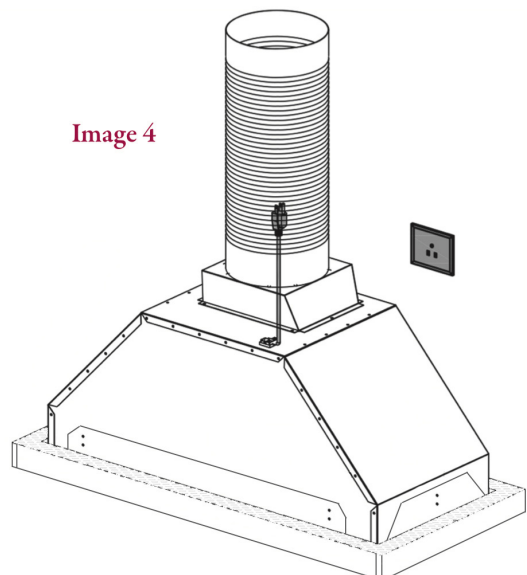


**1)** Unpack all the contents included with the ventilation unit. Attach the Backdraft Damper and Ducting to the top of the ventilation insert.  
(Images 1 and 2)

**2)** Attach the Ventilator to the Liner, bringing it up from the bottom and thru the cutout in the liner. Secure on all four sides with the screws provided.  
(Image 3 and 4)



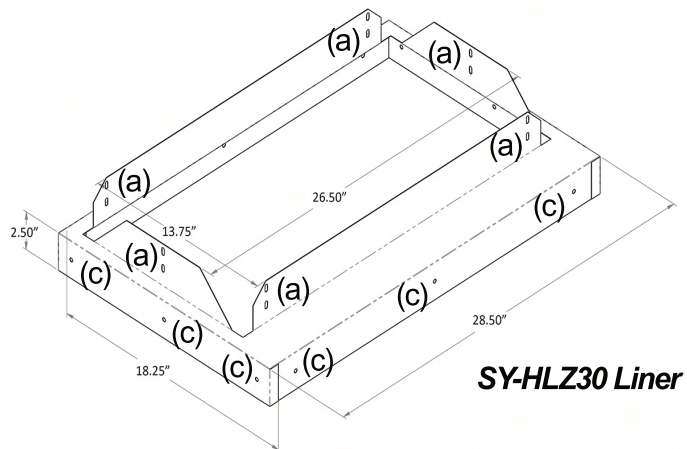
**3)** Secure the ducting section to the outbound ducting. Connect the power cord to the electrical outlet. Lift the Liner-Ventilator assembly into the Range Hood and fasten thru the liner from the inside and into the hood with wood screws.  
(sold separately)



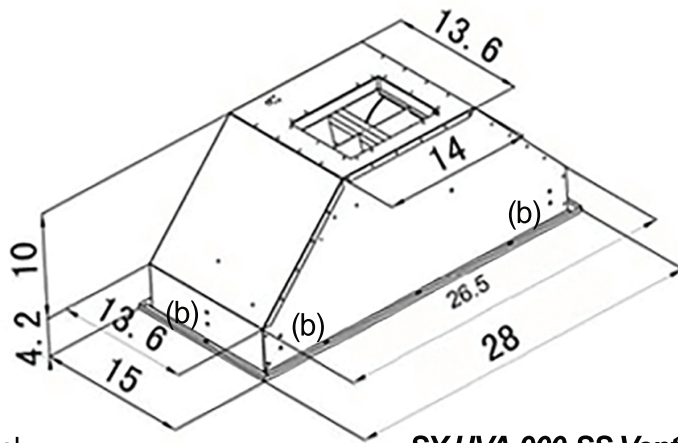
## Installation Instructions for mounting HLZ Liners/Ventilators in wood range hoods

Ventilator must be attached to liner before mounting in range hood.

- 1) Open ventilator carton and locate hardware kit.
- 2) Open Kit and remove installation screws. Disregard mounting brackets (for soffit application only).
- 3) Locate pre-drilled slotted holes on upper flange of liner (a).



- 4) Align holes with threaded inserts on ventilator unit (b).
- 5) There are six sets of threaded inserts, two on each side and one on each end.

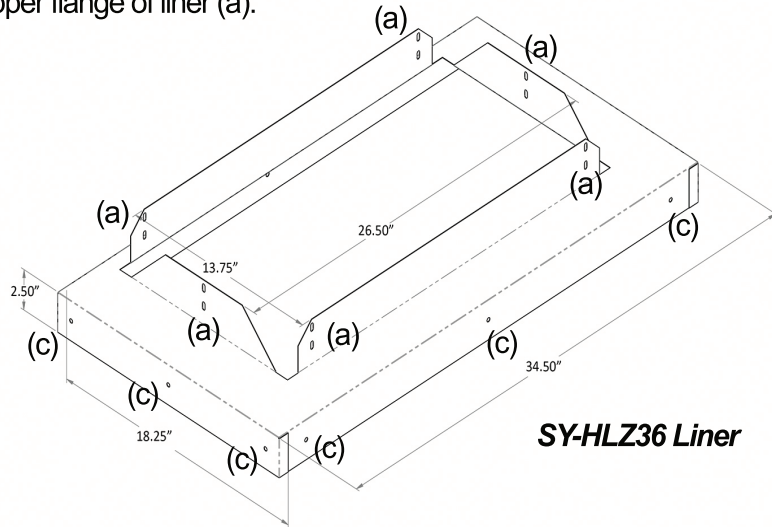


- 6) Insert machine screws and tighten securely.
- 7) Assembled unit can now be installed in wood range hood.
- 8) Attached assembled unit to range hood using 1/2" wood screws into pre-drilled holes (c).

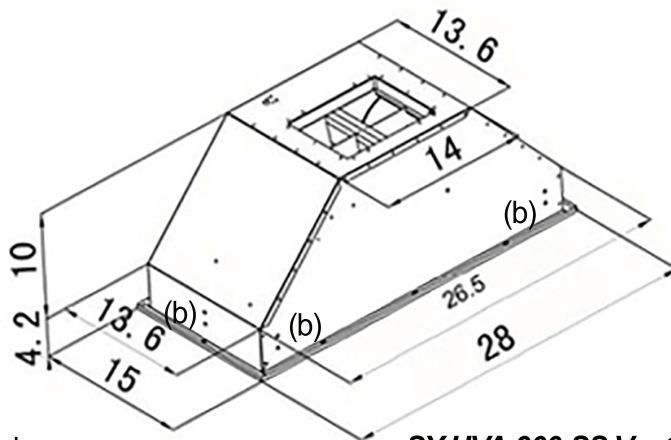
## Installation Instructions for mounting HLZ Liners/Ventilators in wood range hoods

Ventilator must be attached to liner before mounting in range hood.

- 1) Open ventilator carton and locate hardware kit.
- 2) Open Kit and remove installation screws. Disregard mounting brackets (for soffit application only).
- 3) Locate pre-drilled slotted holes on upper flange of liner (a).



- 4) Align holes with threaded inserts on ventilator unit (b).
- 5) There are six sets of threaded inserts, two on each side and one on each end.

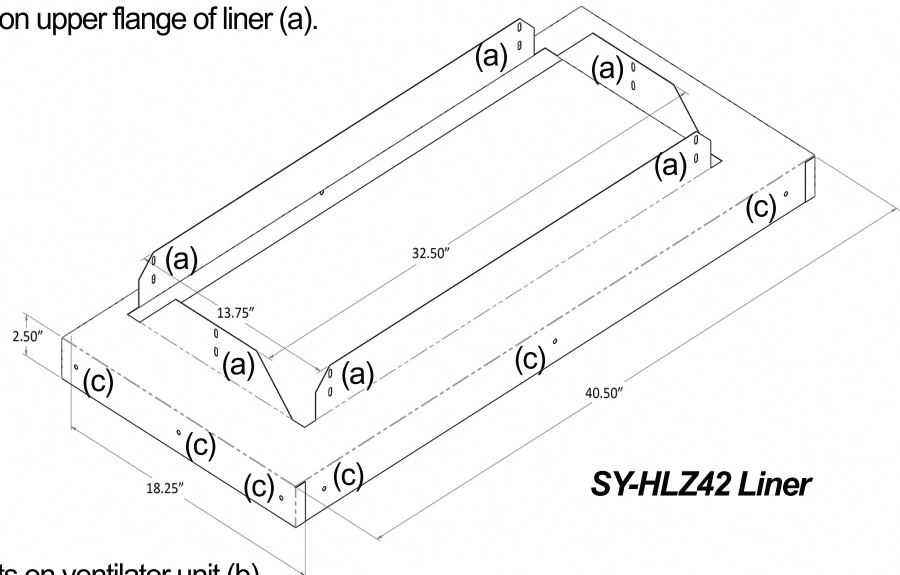


- 6) Insert machine screws and tighten securely.
- 7) Assembled unit can now be installed in wood range hood.
- 8) Attached assembled unit to range hood using 1/2" wood screws into pre-drilled holes (c).

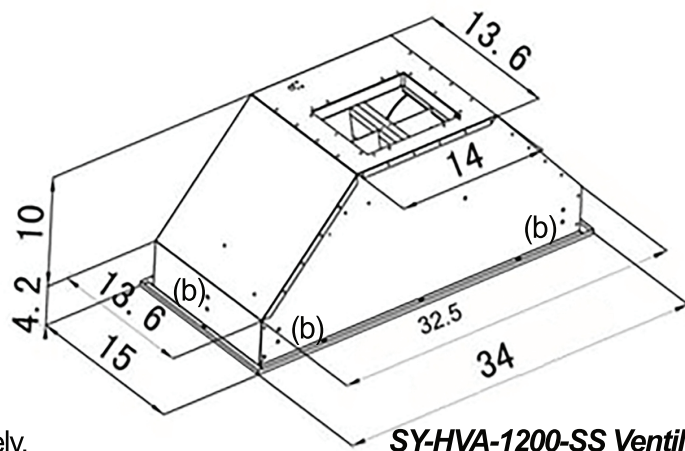
## Installation Instructions for mounting HLZ Liners/Ventilators in wood range hoods

Ventilator must be attached to liner before mounting in range hood.

- 1) Open ventilator carton and locate hardware kit.
- 2) Open Kit and remove installation screws. Disregard mounting brackets (for soffit application only).
- 3) Locate pre-drilled slotted holes on upper flange of liner (a).



- 4) Align holes with threaded inserts on ventilator unit (b).
- 5) There are six sets of threaded inserts, two on each side and one on each end.

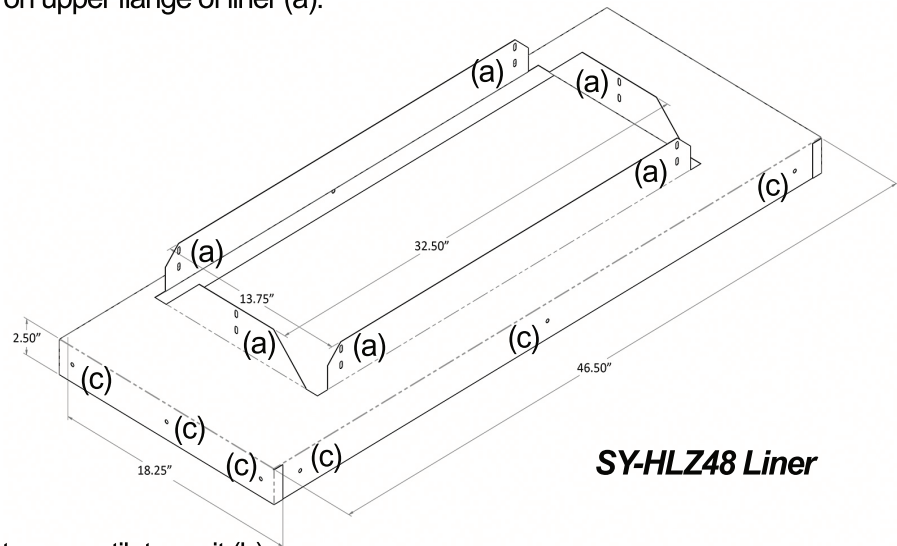


- 6) Insert machine screws and tighten securely.
- 7) Assembled unit can now be installed in wood range hood.
- 8) Attached assembled unit to range hood using 1/2" wood screws into pre-drilled holes (c).

## Installation Instructions for mounting HLZ Liners/Ventilators in wood range hoods

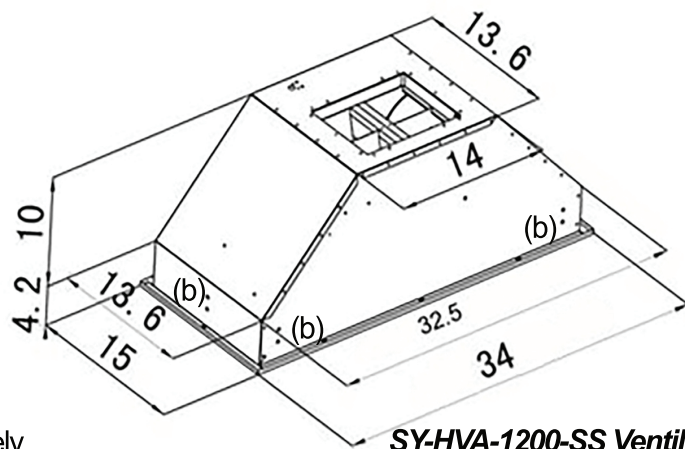
Ventilator must be attached to liner before mounting in range hood.

- 1) Open ventilator carton and locate hardware kit.
- 2) Open Kit and remove installation screws. Disregard mounting brackets (for soffit application only).
- 3) Locate pre-drilled slotted holes on upper flange of liner (a).



**SY-HLZ48 Liner**

- 4) Align holes with threaded inserts on ventilator unit (b).
- 5) There are six sets of threaded inserts, two on each side and one on each end.

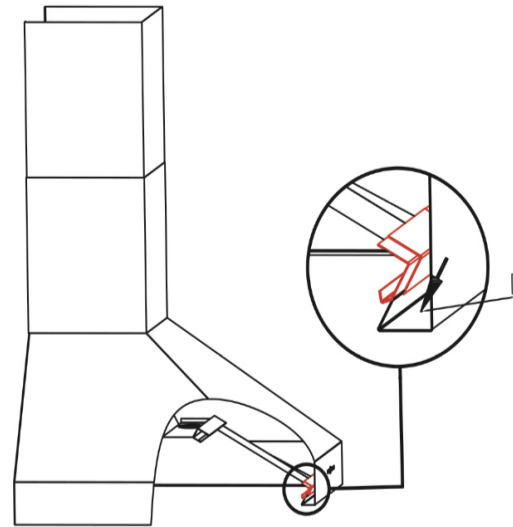


**SY-HVA-1200-SS Ventilator**

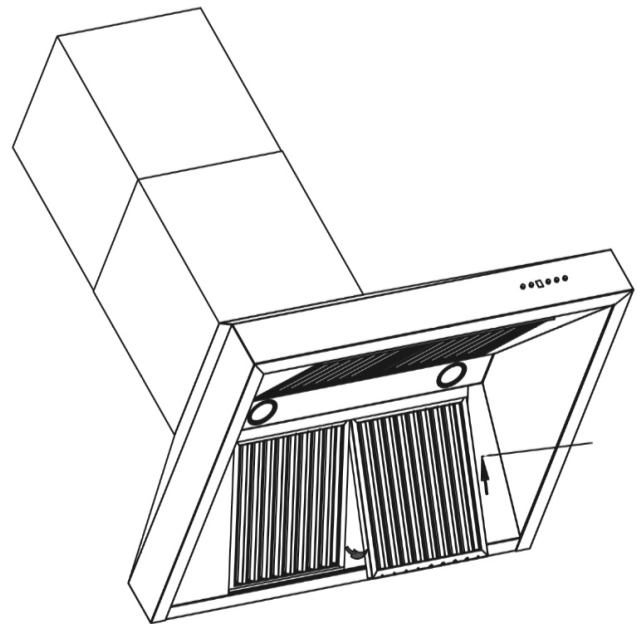
- 6) Insert machine screws and tighten securely.
- 7) Assembled unit can now be installed in wood range hood.
- 8) Attached assembled unit to range hood using 1/2" wood screws into pre-drilled holes (c).

# Professional Series Baffle Installation

Professional series ventilators are equipped with 2 removable dishwasher safe baffle channels that the baffle filters sit into. To install the channel, place inside the ventilator and slide into place with the edge of the ventilator fitting in between the channel and the installation pieces installed on the back of the channel.



To install the filters, first install the removable baffle channel. Next, take the filter and put one end into the permanent baffle channel. Push back into place and pull down sliding the bottom of the filter into the removable baffle channel.



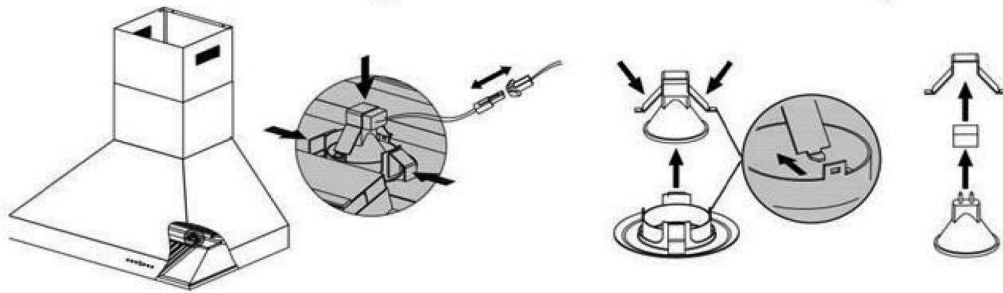
**NOTE: Never work on or clean the ventilator while the power is ON!**  
**Always make sure** the power is switched off or the electrical breaker is set to the off position.



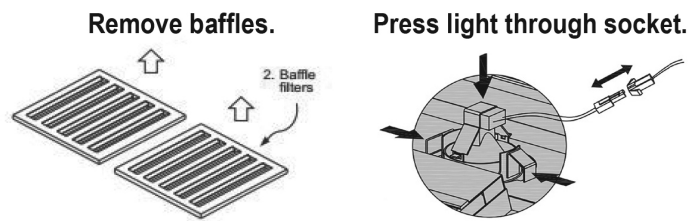
# Light Bulb Replacement

## Replacing the Light Bulbs in Your Range Hood:

Use 20 watt MR11 Halogen Bulb or a 2.5 watt LED Bulb for replacement.



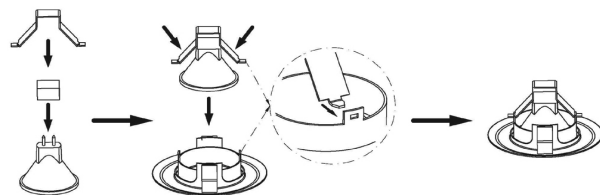
- 1 Remove baffles.
- 2 Gently press light casting out until it falls out of the socket, disconnect the plug wires.
- 3 Press both sides of the mounting clip to remove the light bulb (Be certain not to touch the bulb).
- 4 Pull light from the receptacle plug.
- 5 Replace light into the receptacle plug.
- 6 Press mounting clip back into position.
- 7 Reconnect light plug connection.
- 8 Press light assembly into the socket.



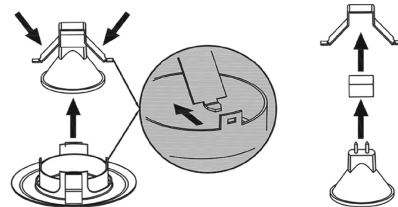
Remove baffles.

Press light through socket.

Remove mounting clip and replace bulb.

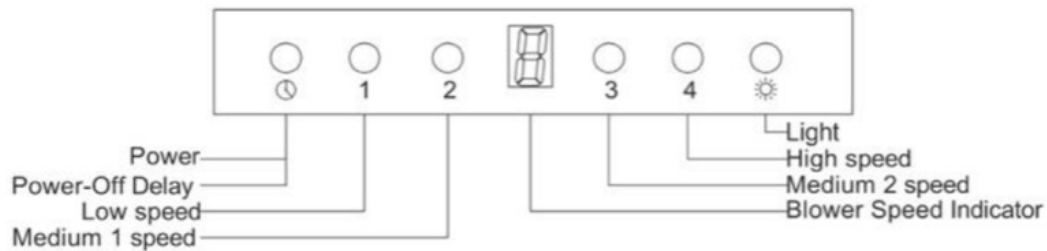


Replace mounting bracket, replace connections before pressing light back into socket.



**NOTE: Never work on or clean the ventilator while the power is ON!**  
Always make sure the power is switched off or the electrical breaker is set to the off position.

# Push Button Control Operation



## Button functions

Power: Power ON/OFF the range hood and activate power-off delay timer.

Light: Turns ON/OFF and dim lights.

Blower Speed Indicator: Shows current blower (motor) speed (1-4).

Low Speed-Light frying/boiling

Medium Speed-Frying/wok cooking/heavy boiling

High-Grilling, intensive frying and wok cooking

## Controls

### Adjusting the blower (motor) speed:

Press power button once to turn on the system.

Press the speed buttons for the desired speed. Speed may be increased and decreased.

The blower speed indicator shows the blower (motor) speed level next to the speed button selected will increase the speed of the blower (motor) from 1 to 4 (quietest to strongest).

### Adjusting the timer function:

Turn the hood on at any speed, press the power-off delay button to enter timer mode, a 3 flashes in the display, power-off delay digital timer will begin countdown. After approximately 3 minutes when it reaches zero, the blower (motor) will shut down.

### Adjusting the light:

Press light button once to turn on the lights, and once again to turn off the lights.



# WARRANTY



## Three Year Parts Warranty

For three years from the date of original purchase, we will provide free of charge, non-consumable replacement parts for the components that failed due to manufacturing defects. Subject to the conditions and limitations set forth below at its option, either repair or replace any part of its products that prove defective by reason of improper workmanship or material. Repaired parts or replacement products will be provided by [www.therangehoodstore.com](http://www.therangehoodstore.com) on an exchange basis and will be either new or refurbished to be functionally equivalent to new. The consumer is responsible for shipping costs. Consumable parts not covered by this warranty include but are not limited to: Light bulbs, metal, aluminum and charcoal filters.

## Who is covered?

This warranty is extended to the original purchaser for products purchased for ordinary home use in the continental USA.

## This warranty will be void when

Product damaged through negligence, improper installation, accident, abuse, misuse, and natural disaster, insufficient or excessive electrical supply. Abnormal mechanical or environmental conditions or any unauthorized disassembly repair, modifications or failure to follow the installation instructions or when product is used commercially or other than its intended purpose or damaged because of improper connection with equipment of other manufacturers. Repaired or modified by anyone other than authorized agents. This limited warranty does not apply to any product on which the original identification information has been altered, obliterated or removed, has not been handled or packaged correctly, has been sold as second-hand or resold contrary to the US regulations.

## What is not covered

Consumable parts such as light bulbs, metal and charcoal filters. The natural wear of finish, and wear due to improper maintenance, use of corrosive and abrasive cleaning products, pads and cleaning products. Chips, dents or cracks due to abuse, misuse, freight damage (not reported), or improper installation. Damage of product caused by accident, fire, flood or act of God, we are not liable for and is not covered by warranty, any loss of properties or any cost associated with removing, servicing, installing or determining the source of problems with our products.

This warranty is valid in the United States. It is non-transferable and applies only to the purchaser and does not extend to subsequent owners of this product, any applicable implied warranties, including the warranty of merchantability are limited in duration to a period of express warranty as provided herein beginning with the date of original purchase at retail and no warranties, whether express or implied shall be applied to this product.