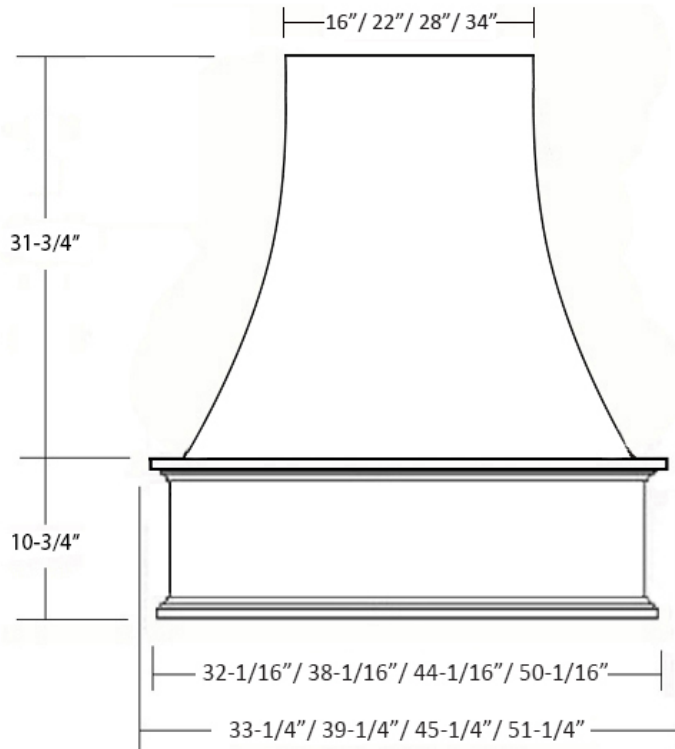


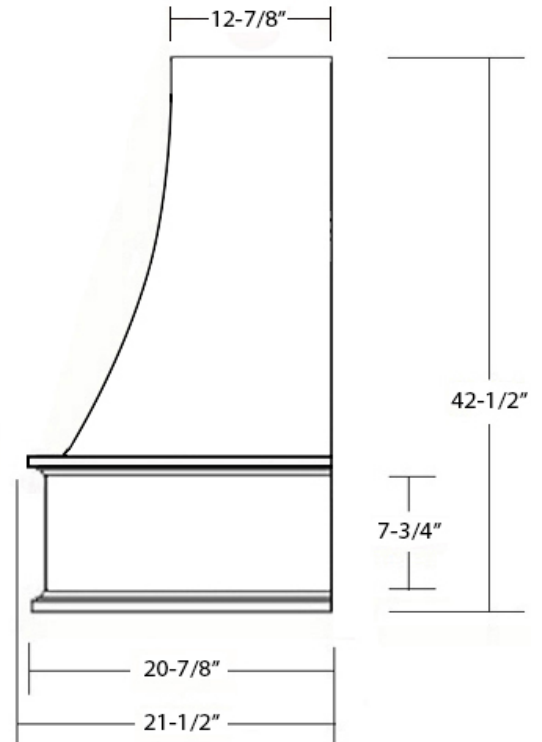
# Epicurean Chimney Range Hood



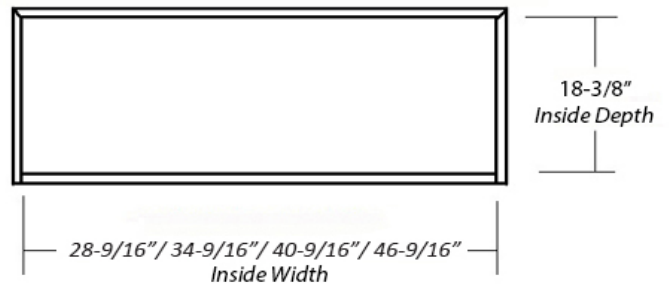
**Front View**



**Side View**



Item #	Dimensions (h) x (w) x (d)	Liner	Liner
SY-WCVH-30	42-1/2" X 33-1/4" X 21-1/2"	SY-HLB-30	N/A
SY-WCVH-36	42-1/2" X 39-1/4" X 21-1/2"	SY-HLB-36	SY-HLZ-36
SY-WCVH-42	42-1/2" X 45-1/4" X 21-1/2"	SY-HLB-42	SY-HLZ-42
SY-WCVH-48	42-1/2" X 51-1/4" X 21-1/2"	SY-HLB-48	SY-HLZ-48



- Veneer, Hardwood Plywood and Solid Lumber Construction
- 1/2" Rear Plywood Stretchers for wall mounting
- Accepts SY-HLB series Powder Coated or Stainless Steel Liners *(sold separately)*
- Select from 300, 400 and 600 CFM Broan Ventilation power packs *(sold separately)* or
- *Ascension 350SL, 350SS, 500SS and 620SS CFM Ventilation power packs (sold separately) or*
- *30" models accept Broan 300SS and Ascension 350SL, 350SS, and 500SS (only)*
- *36" models accept Ascension 900 CFM Professional Ventilators (requires HLZ series Liners)*
- *42" and 48" models accept Ascension 1200 CFM Professional Ventilators (requires HLZ series Liners)*
- Available in Alder, Cherry, Hickory, Maple, Red Oak, and White Oak
- Optional Detachable Upper Access available
- Optional 14", 24" and 36" height Chimney Extensions available *(requires trim kit)*
- Base section will accommodate Ornament sizes up to 6" x 24"

