

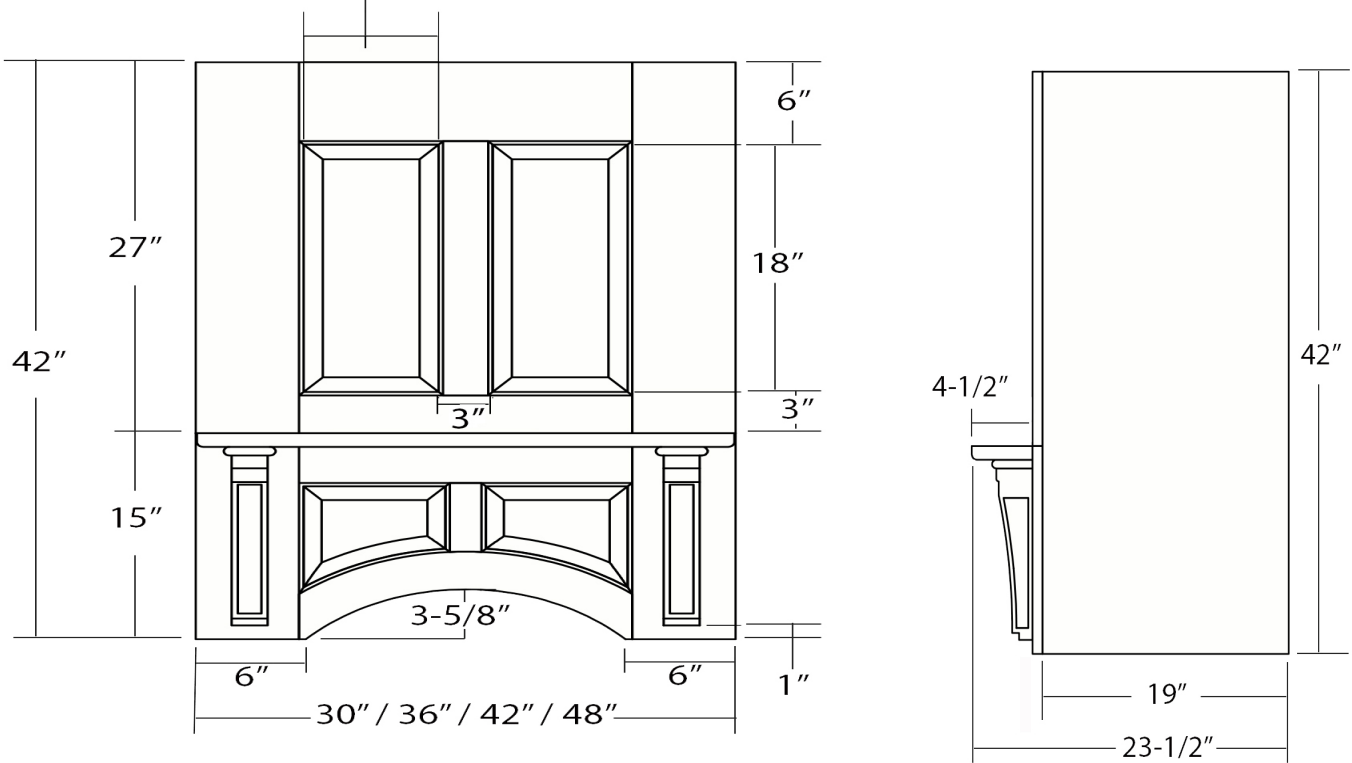


Connoisseur Mantel Range Hood

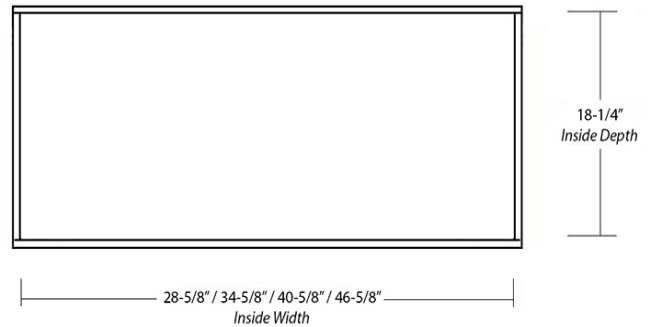
Front View

Side View

7-1/2" / 10-1/2" / 13-1/2" / 16-1/2"



Item #	Dimensions (h) x (w) x (d)	Liner	Liner
SY-WMDP-3042	42" X 30" X 23-1/2"	SY-HLB-30	SY-HLZ-30
SY-WMDP-3642	42" X 36" X 23-1/2"	SY-HLB-36	SY-HLZ-36
SY-WMDP-4242	42" X 42" X 23-1/2"	SY-HLB-42	SY-HLZ-42
SY-WMDP-4842	42" X 48" X 23-1/2"	SY-HLB-48	SY-HLZ-48



- Hardwood Plywood and Solid Lumber Construction
- 1/2" Rear Plywood Stretchers for wall mounting
- Accepts SY-HLB series Powder Coated or Stainless Steel Liners (*sold separately*)
- Select from 300, 400 and 600 CFM Broan Ventilation power packs (*sold separately*) or
- *Ascension 350SL, 350SS, 500SS and 620SS CFM Ventilation power packs (sold separately) or*
- *30" and 36" models accept Ascension 900 CFM Professional Ventilators (requires HLZ series Liners)*
- *42" and 48" models accept Ascension 1200 CFM Professional Ventilators (requires HLZ series Liners)*
- Available in Cherry, Maple and Red Oak
- Detachable front Upper Panel for easy access
- Increased Depth option available
- Alternate Corbel designs available

