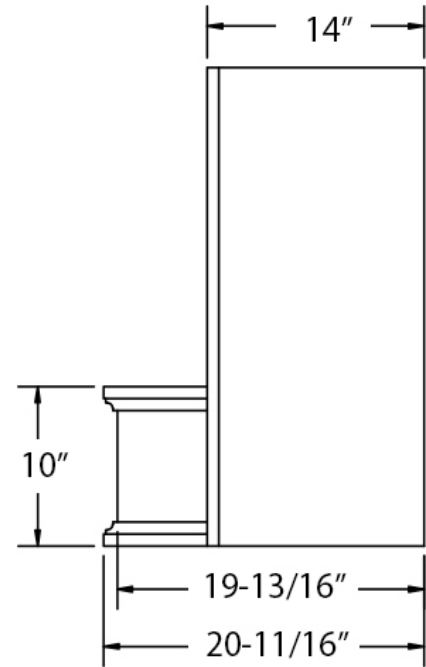
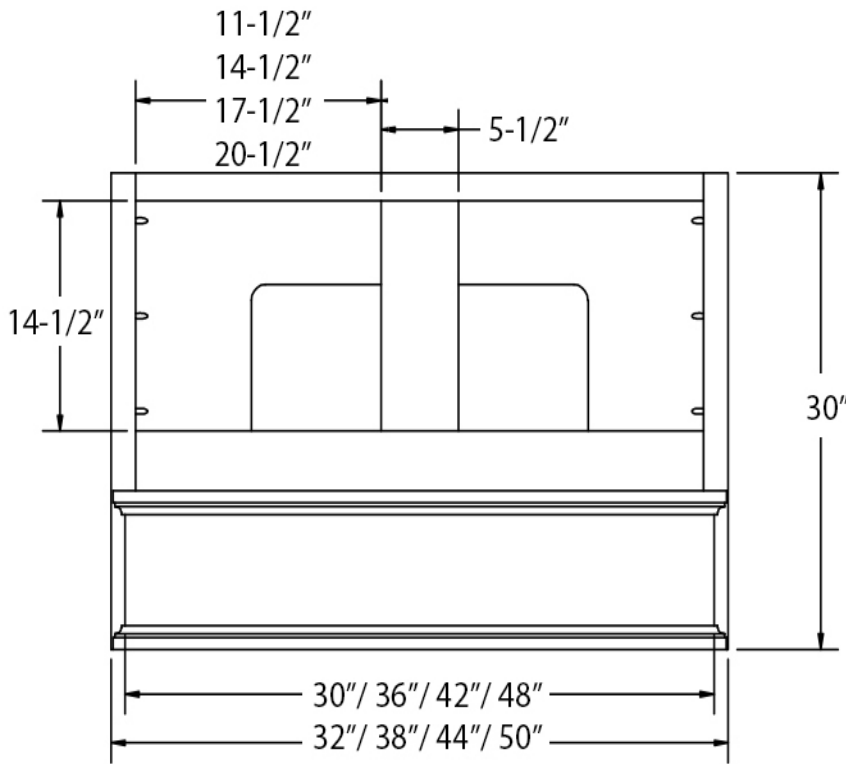


Decorative Mantel Range Hood

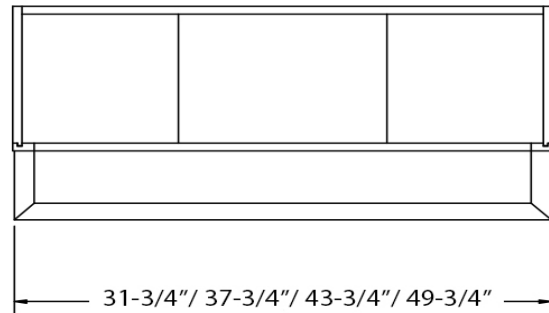


Front View

Side View



Bottom View



Item #	Dimensions (h) x (w) x (d)	Liner	Liner
SY-DMH32	30" x 32" x 20-11/16"	SY-HLB-30	SY-HLZ-30
SY-DMH38	30" x 38" x 20-11/16"	SY-HLB-36	SY-HLZ-36
SY-DMH44	30" x 44" x 20-11/16"	SY-HLB-42	SY-HLZ-42
SY-DMH50	30" x 50" x 20-11/16"	SY-HLB-48	SY-HLZ-48

- Hardwood Plywood and Solid Lumber Construction
- 1/2" Rear Plywood Stretchers for wall mounting
- Accepts SY-HLB series Powder Coated or Stainless Steel Liners (*sold separately*)
- Select from 300, 400 and 600 CFM Broan Ventilation power packs (*sold separately*) or
- *Ascension 350SL, 350SS, 500SS and 620SS CFM Ventilation power packs (sold separately) or*
- *30" and 36" models accept Ascension 900 CFM Professional Ventilators (requires HLZ series Liners)*
- *42" and 48" models accept Ascension 1200 CFM Professional Ventilators (requires HLZ series Liners)*
- Available in Alder, Cherry, Hickory, Maple and Red Oak
- Designed to be used with customer supplied cabinet doors
- Increased Height and Depth options available

