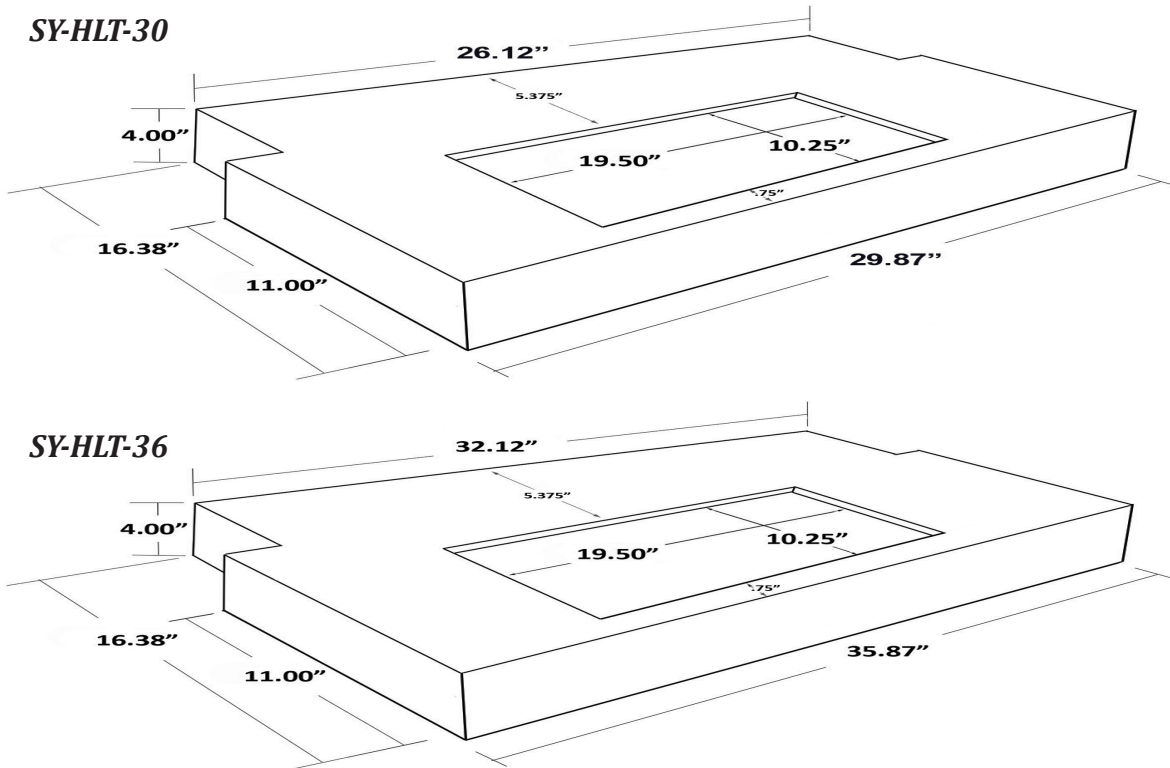


T-Shape Steel Hood Liners

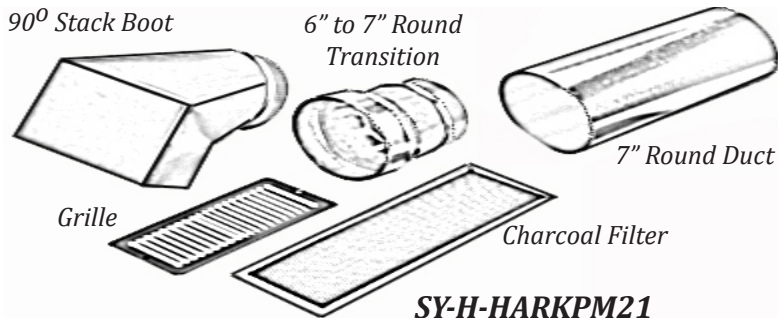


Item #	Dimensions (h) x (w) x (d)
SY-HLT-30	4" X 29-7/8" X 16-3/8"
SY-HLT-36	4" X 35-7/8" X 16-3/8"
SY-H-HARKPM21	6" to 7" Round Transition
SY-HVA-SDK	for 6" Round Duct
SY-H-SCF124	Charcoal Filter for Ascension
SY-H-S99010464	Charcoal Filter for Broan

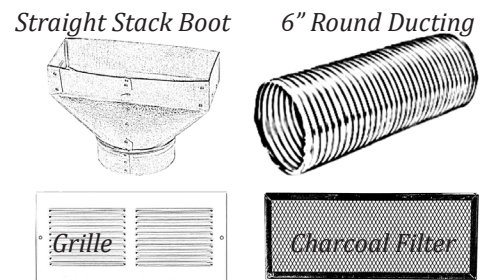
*SY-H-HARKPM21 works with SY-HV-300SS, SY-HV-400SS and SY-H-600SS units.
SY-HVA-SDK works with SY-HVA-350SL, SY-HVA-350SS and SY-HVA-500SS units.*

- Cold Rolled Steel Construction
- Silver Metallic powder coated finish
- For use in all Range Hood FRONTS
- Accepts Ascension and Broan ventilators
- SY-HV-300SS
- SY-HVA-350SL
- SY-HVA-350SS
- SY-HV-400SS
- SY-HVA-500SS
- SY-HV-600SS
- SY-HVA-620SS

Recirculating Kits



SY-H-HARKPM21



SY-HVA-SDK

