

ASCENSION™

KITCHEN
VENTILATION

Range Hood Ventilator Instruction Manual



SY-HVA-620-SS

READ AND SAVE THESE INSTRUCTIONS

Copyright © 2021 Castlewood by AMS, All rights reserved.

To All Consumers:

Following the recommendations contained in this **Instruction Manual** will ensure this appliance gives you many years of high efficiency and performance.

CONTENTS:

RECOMMENDATIONS AND SUGGESTIONS

CHARACTERISTICS

INSTALLATION & USE

MAINTENANCE

RECOMMENDATIONS AND SUGGESTIONS

INSTALLATION:

- * The manufacturer will not be held liable for any damages resulting from incorrect or improper installation.
- * Please read this entire instruction manual before installing and using this ventilation unit. Keep this instruction manual in a safe place for future reference.
- * This ventilation unit can be used in the Ducted Mode only (ducting of fumes to the outside of dwelling only).
- * Only a qualified and trained service technician should undertake the work of service and installation regarding this unit.
- * Check that the main voltage corresponds to the one indicated on the rating plate fixed inside the ventilator unit.
- * Do not connect this unit to exhaust ducts carrying combustion fumes (boilers, fireplaces, etc.).
- * If the unit is used in conjunction with non-electrical appliances (i.e natural gas burning appliances), a sufficient degree of ventilation must be guaranteed in the room in order to prevent the backflow of exhaust gas. The kitchen must have a direct opening with open flow in order to guarantee the entry of clean air.
- * The minimum installed distance is to be 30" to 32" from the ventilation unit to a gas cooktop, and 28" to 30" from the ventilation unit to an electric cooktop. If the installation instructions for a gas cooktop specifies a greater distance, use the distance specified by the cooktops manufacturer.

NOTICE:

Two or more people are required to install or move this appliance. Failure to do so could cause physical injuries.

USE:

- * This ventilation unit has been designed only for domestic use to eliminate kitchen fumes.
- * Never use the ventilator for purposes other than what it has been designed for.
- * Never leave high naked flames under the ventilator when it is in operation.
- * Adjust the flame intensity to direct it onto the bottom of the pan or pot only; making sure that it does not engulf the pan/pot sides.
- * Deep fat fryer must be continuously monitored during use: overheated oil can burst into flames.
- * The ventilator should not be used by children or persons not instructed in its proper use.

MAINTENANCE:

- * Proper maintenance of the ventilator will assure efficient performance of this unit.
 - * Disconnect the ventilator from the main power supply before carrying out any maintenance work.
 - * Clean and/or replace baffle filters periodically as needed.
 - * Clean the ventilator unit using a damp cloth and a neutral liquid detergent.
 - * **DISPOSAL:** Do not dispose of this product as unsorted municipal waste.
- Conduct collection and disposal of this unit according to local code.

WARNING!!!

In certain circumstances electrical appliances may be a hazard.

- * Do not check the status of the filters while the ventilator is in operation.
- * Do not touch the light bulbs after appliance use.
- * Do not disconnect the appliance with wet hands.
- * Avoid free flame, as it is damaging for the filters and a fire hazard.
- * Constantly check food frying to avoid overheated oil from becoming a fire hazard.
- * Disconnect the electrical plug prior to any maintenance.
- * Children don't recognize the risks of electrical appliances. Therefore use or keep the appliance only under supervision of adults and out of the reach of children.
- * Do not use the unit outdoors.
- * This appliance is not intended for use by persons (including children) with reduced physical, sensory or mental capabilities, or lack of experience and knowledge, unless they have been given supervision or instruction, concerning use of the appliance by a person responsible for their safety. Children should be supervised to ensure that they do not play with the appliance.
- * There shall be adequate ventilation of the room when the unit is used at the same time as appliance burning gas or other fuels.
- * There is a fire risk inherent if cleaning is not carried out in accordance with instructions.
- * Do not flambe under this ventilation unit.
- * The discharge air must not be discharged into a flue which is used for exhausting fumes from appliances burning gas or other fuels.

GROUNDING INSTRUCTIONS:

This appliance must be grounded. In the event of an electrical short circuit, grounding reduces the risk of electric shock by providing an escape wire for the electric current. This appliance is equipped with a cord having a grounding wire with a grounding plug. The plug must be plugged into an outlet that is properly installed and grounded.

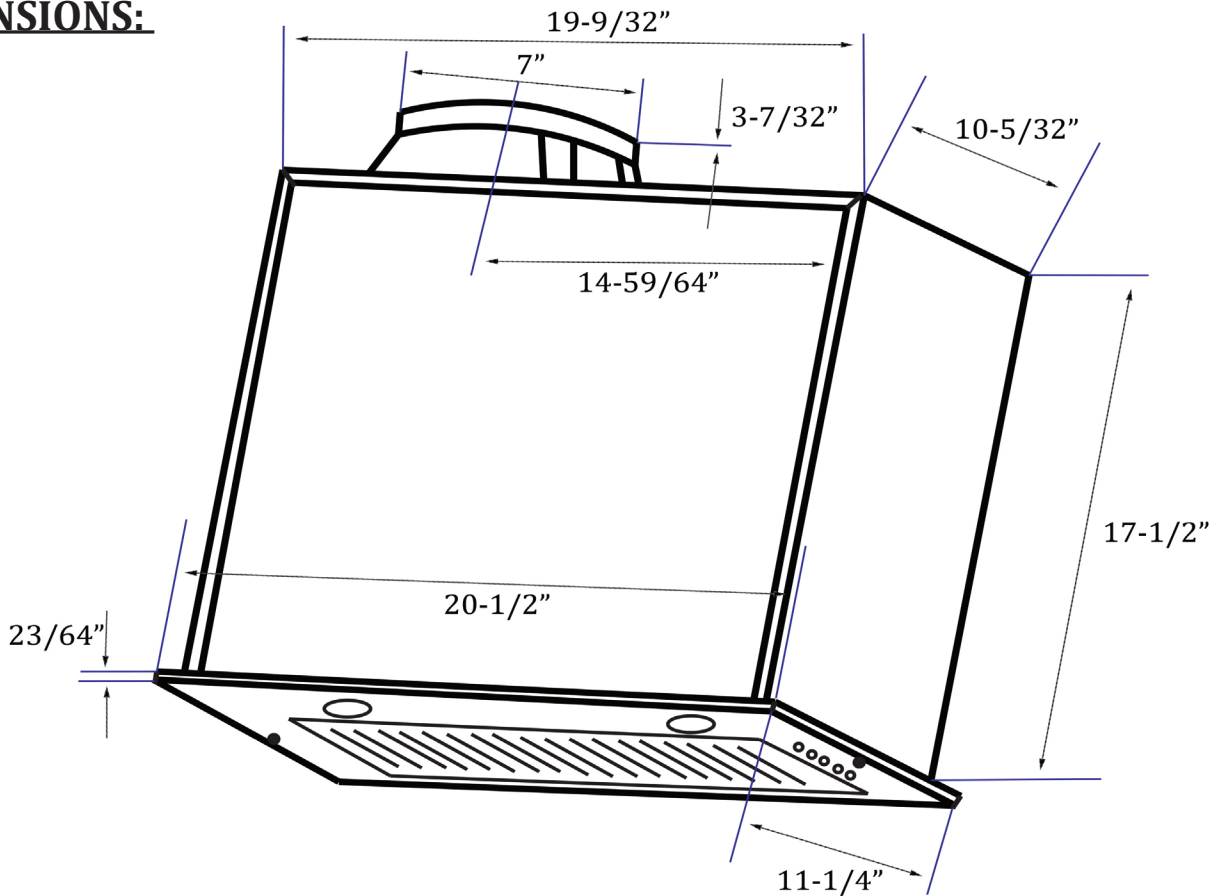
WARNING - Improper grounding can result in a risk of electric shock. Consult a qualified electrician if the grounding instructions are not completely understood, or if doubt exists as to whether the appliance is properly grounded. Do not use an extension cord. If the power supply cord is too short, have a qualified electrician install an outlet near the appliance.

NOTICE:

NEVER CUT THE PLUG FROM THE ELECTRICAL CORD AND ALWAYS ENSURE THE OUTLET IS GROUNDED. CUTTING THE CORD WILL VOID THE WARRANTY.

CHARACTERISTICS

DIMENSIONS:



INSTALLATION & USE

Before the final installation is made check that all parts are in the box. The unit comes with a face plate/ filter, duct outlet adapter, light bulbs and mounting screws. Check the finish of the ventilation unit for scratches or dents, check the operation of the ventilator. If any issues are present, Do Not Install the Unit. Bring it back to the store where it was purchased.

Note 1: On stainless steel units, carefully remove the protective plastic film from the face plate and both sides of the filter prior to installation.

Note 2: At least two people will be required to mount this unit.

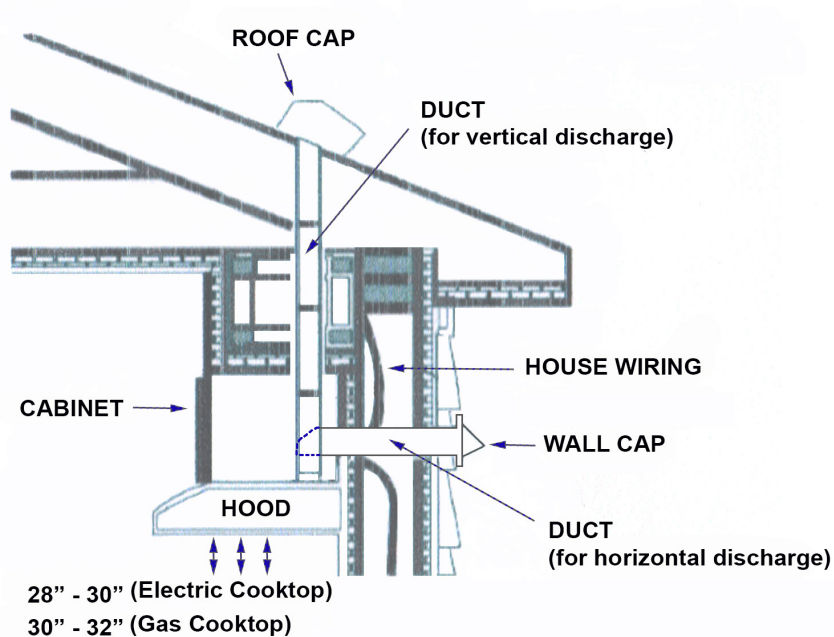
DESCRIPTION/CONNECTIONS:

* The unit is only to be installed in the ducting version.

* The unit aspirates the kitchen air saturated with fumes and odors, passes it through grease filters and expels it to the outside through an outlet pipe.

Caution: To reduce the risk of fire, use metal ductwork.

1. Decide where the ductwork will run between the ventilator unit and the outside.
2. A straight, short duct run will allow the ventilator to perform most efficiently.
3. Long duct runs, elbows, and transitions will reduce the performance of the ventilator. Use as few of them as possible. Larger ducting may be required for best performance with longer duct runs.
4. It is recommended that a 6" round metal duct be used.



5. The air must not be discharged into a flue that is used for exhausting fumes from appliances burning gas or other fuels. Regulations concerning the discharge of air must be fulfilled.
6. Install a roof/wall cap. Connect round ductwork to cap and work back towards hood location. Use duct tape to seal the joints between ductwork sections.

ELECTRICAL CONNECTIONS:

* Electrical wiring must be done by a qualified person(s) in accordance with all applicable local building codes and standards.

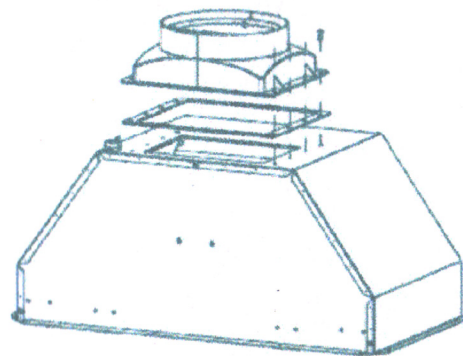
TURN OFF ELECTRICAL POWER AT SERVICE ENTRANCE BEFORE WIRING

* If the supply cord is damaged, it must be replaced by the manufacturer, its service agent or similarly qualified persons in order to avoid a hazard.

* Do not use the plug and an extension cord other than the ones initially provided with the unit.

INSTALLATION:

1. Attach the duct outlet adapter to the top of the ventilator with the four screws provided. Tighten securely.
2. The ventilator is designed to be operated with a 7" exhaust duct.

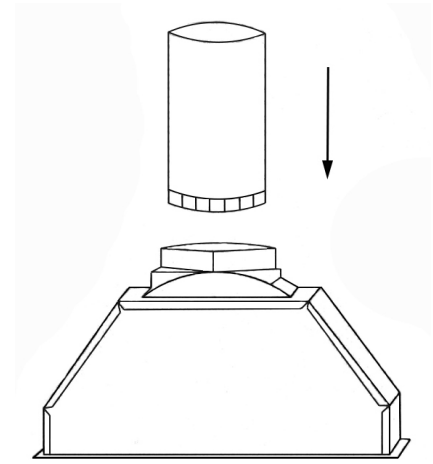


DUCT INSTALLATION:

Before fixing, the outlet exhaust duct for air evacuation to the outside must be installed. Use an outlet exhaust duct with: minimal length, minimal possible bends (maximum angle of bend 90°), certified material (according to local building code), if flexible ducting is used it should be metallic and as smooth as possible inside.

It is also advisable to avoid any drastic changes in duct cross-section (recommended diameter = 7").

Use fasteners to secure duct.



FITTING UNDER SOFFIT OR CABINET:

1. Before affixing the ventilator under soffit or cabinet, cutout a rectangle according to the dimensions of the unit (19-1/2" wide X 10-1/4" deep) and in the appropriate location. There will need to be adequate room to run the 7" diameter exhaust ducting. In any case, check the position of the power outlet and consider where the power cable will run, since a hole might have to be made in the wall to accommodate it.
2. Unscrew the 2 visible screws located on the face plate of the ventilator unit, the eight mounting holes around the perimeter of the unit are now accessible.
3. Lift the ventilator and fit through the opening of the cabinet or soffit. Secure unit using 8 long mounting screws. Fit the face plate on the ventilator and secure using the 2 screws provided.
4. Make electrical connections.

Installation is now completed.

NOTICE:

- Exhaust air must not be discharged into a flue which is used for exhausting fumes from an appliance burning gas or other fuels.
- If the instructions for installation for the gas cooktop specify a greater distance than 30" from surface, this must be taken into account and adjusted accordingly.
- Local building codes regarding discharge of exhaust air must be followed.

OPERATION:

This ventilator may be operated using the push button switch on the front panel.

The light switch turns the lamps on and off.

The fan switches turn the blower on to one of the selected speed settings.

MAINTENANCE

LAMP CONTROLS:

This ventilator may require two 50W GU10 halogen or two 3W GU10 LED lamps.

WARNING: Always switch off the electrical supply before carrying out any service on the appliance.

HALOGEN LAMPS OR LED GU10 BULBS:

To change bulbs:

1. Turn off unit and wait for lamps to cool down before removing.
2. Rotate the lamp by turning counter clockwise, pull out bulb.
3. Replace with GU10 Halogen (50W) or GU10 LED (3W) bulbs.

CAUTION:

1. Halogen bulbs can be especially hot. Care must be taken when removing to prevent injury.
2. Use only lamps as specified above.

VENTILATOR CLEANING

Stainless steel is one of the easiest materials to keep clean. Occasional care will help preserve its fine appearance.

- Hot water with soap or detergent is all that is usually needed.
- Follow all cleaning by rinsing with clear water. Wipe dry with a clean, soft cloth to avoid water marks.
- For discolorations or deposits that persist, use a non-scratching household cleanser or stainless steel polishing powder with a little water and a soft cloth.
- For stubborn cases use a plastic scouring pad or soft bristle brush together with a cleanser and water. Rub lightly in direction of the grain of the stainless finish. Avoid using too much pressure that may mar the surface.
- Do not allow deposits to remain for long periods of time.
- Do not use ordinary steel wool or steel brushes. Small bits of steel may adhere to the surface causing rust to form.
- Do not allow salt solutions, disinfectants, bleaches, or cleaning compounds to remain in contact with stainless steel for extended periods. Many of these compounds contain chemicals that may be harmful. Rinse with water after exposure and wipe dry with a clean cloth.
- Painted surfaces should be cleaned with warm water and mild detergent only.

WARRANTY

CASTLEWOOD by AMS, Inc. **Ascension Ventilation** *ONE YEAR LIMITED WARRANTY*

Castlewood by AMS warrants to the original consumer of this product that it will be free of defects in materials and workmanship for a period of one year from the date of original purchase. THERE ARE NO OTHER WARRANTIES, EXPRESSED OR IMPLIED, INCLUDING, BUT NOT LIMITED TO, IMPLIED WARRANTIES OR MERCHANT ABILITY OR FITNESS FOR A PARTICULAR PURPOSE.

During the one year period, Castlewood by AMS, Inc. will, at its discretion, repair or replace, without charge, any product or part which is found to be defective under normal use and service.

THIS WARRANTY DOES NOT EXTEND TO HALOGEN OR LED LIGHT BULBS. This warranty does not cover labor, normal maintenance and service, any products or parts which have been subject to misuse, negligence, accident, improper maintenance or repair, faulty installation or installation contrary to recommended installation instructions.

The duration of any implied warranty is limited to the one year period as specified in the expressed warranty. CASTLEWOOD by AMS, Inc.'s OBLIGATION TO REPAIR OR REPLACE, AT IT'S DISCRETION, SHALL BE THE PURCHASER'S SOLE AND EXCLUSIVE REMEDY UNDER THIS WARRANTY. CASTLEWOOD by AMS, Inc. SHALL NOT BE LIABLE FOR INCIDENTAL, CONSEQUENTIAL OR SPECIAL DAMAGES ARISING OUT OF OR IN CONNECTION WITH PRODUCT USE OR PERFORMANCE. Some states do not allow the exclusion or limitation of incidental or consequential damages, so the above limitation or exclusion may not apply.

This warranty gives the purchaser specific legal rights, and there may be other rights, which vary from state to state. This warranty supersedes all prior warranties.

To qualify for warranty service, purchaser must notify Castlewood by AMS, Inc. at the address stated below or telephone: 1-800-346-4042, give the model number and part identification, and describe the nature of any defect in the product or part. At the time of requesting warranty service, purchaser must present evidence of the original purchase date.

Submit claims to:

CASTLEWOOD by AMS, Inc. 1772 Airport Road, Haleyville, AL 35565 (1-800-346-4042)



Castlewood by AMS
1772 Airport Road
Haleyville, AL 35565
800-346-4042
info@castlewood.com