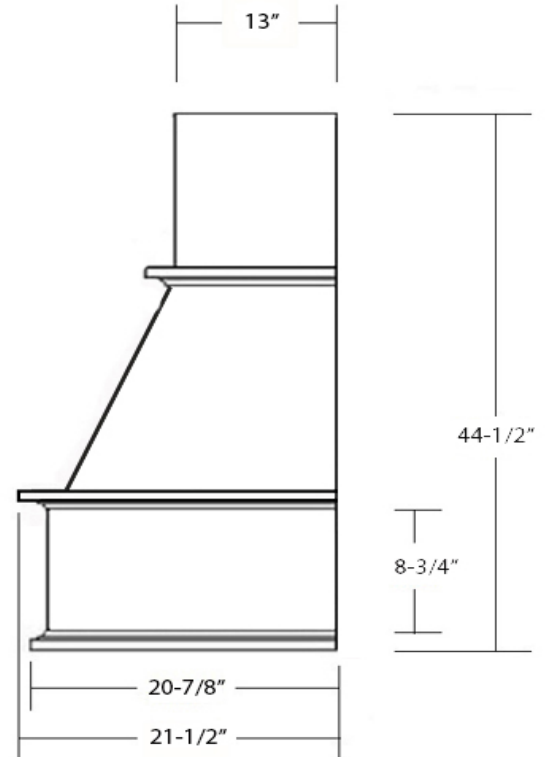
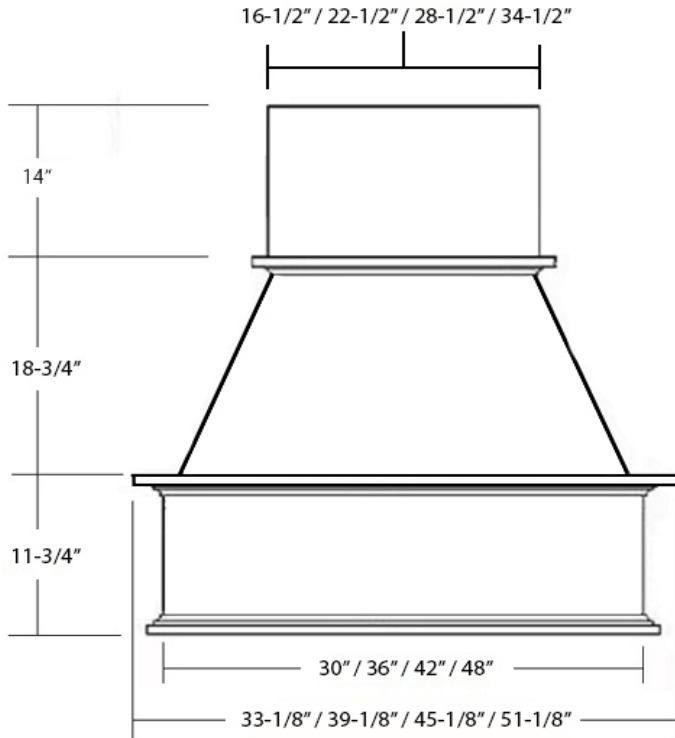




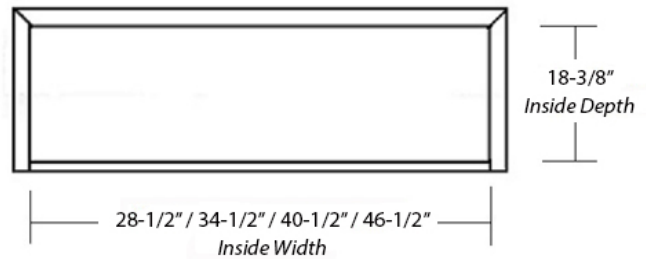
# Traditional Chimney Style Range Hood

Front View

Side View



Item #	Dimensions (h) x (w) x (d)	Liner	Liner
SY-WCH-30	44-1/2" x 33-1/8" x 21-1/2"	SY-HLB-30	SY-HLZ-30
SY-WCH-36	44-1/2" x 39-1/8" x 21-1/2"	SY-HLB-36	SY-HLZ-36
SY-WCH-42	44-1/2" x 45-1/8" x 21-1/2"	SY-HLB-42	SY-HLZ-42
SY-WCH-48	44-1/2" x 51-1/8" x 21-1/2"	SY-HLB-48	SY-HLZ-48



- Hardwood Plywood and Solid Lumber Construction
- 1/2" Rear Plywood Stretchers for wall mounting
- Accepts SY-HLB series Powder Coated or Stainless Steel Liners (*sold separately*)
- Select from 300, 400, and 600 CFM Broan Ventilation power packs (*sold separately*) or
- Ascension 350SL, 350SS, 500SS and 620SS CFM Ventilation power packs (*sold separately*) or
- 30" and 36" models accept Ascension 900 CFM Professional Ventilators (*requires HLZ series Liners*)
- 42" and 48" models accept Ascension 1200 CFM Professional Ventilators (*requires HLZ series Liners*)
- Available in Alder, Cherry, Hickory, Maple, Red Oak, White Oak and Paintgrade (*primed*)
- Optional Detachable Upper Access available
- Includes standard 14" height Chimney Extension (*packaged separately*)
- Optional 24" and 36" height Chimney Extensions available
- Base section will accommodate Ornaments in sizes up to 6" x 24"

