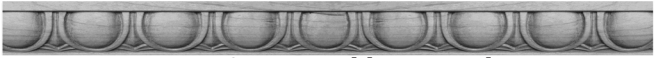
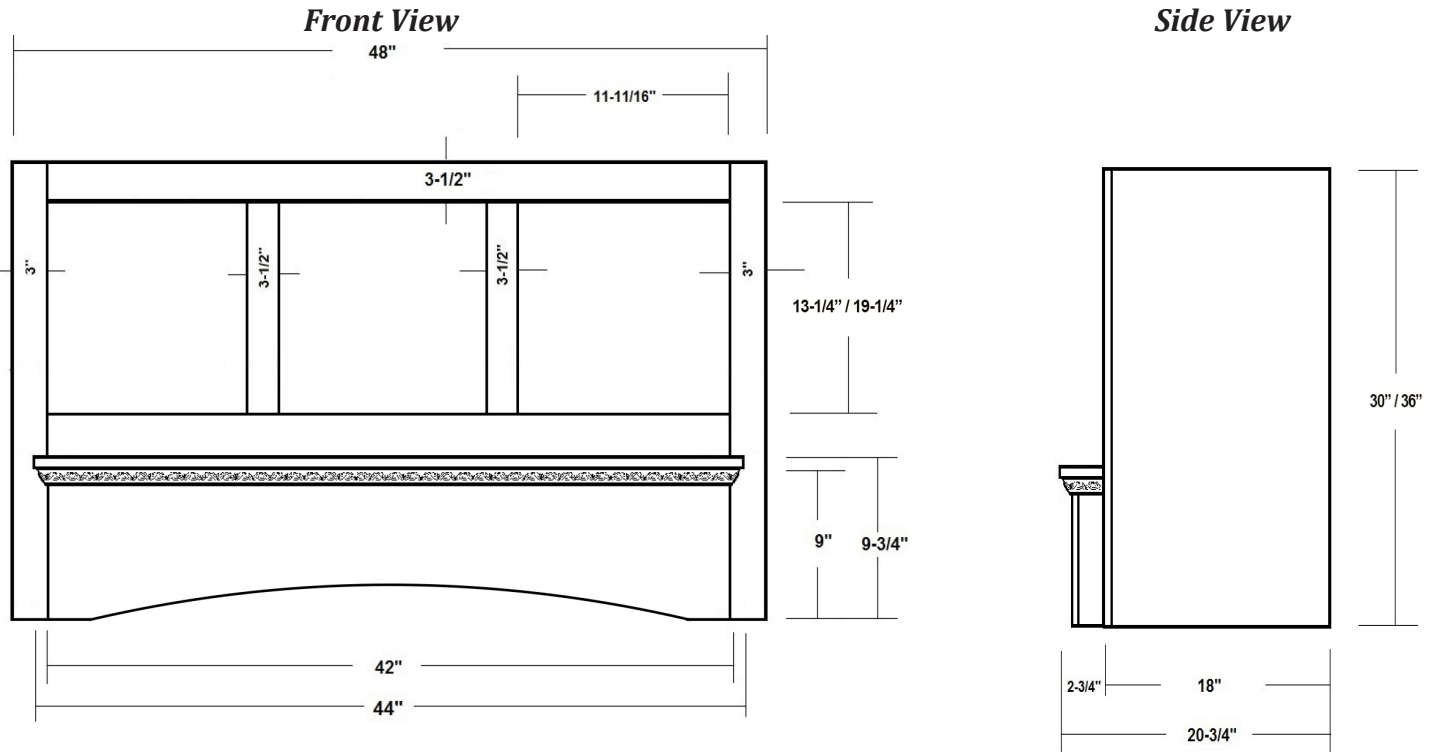
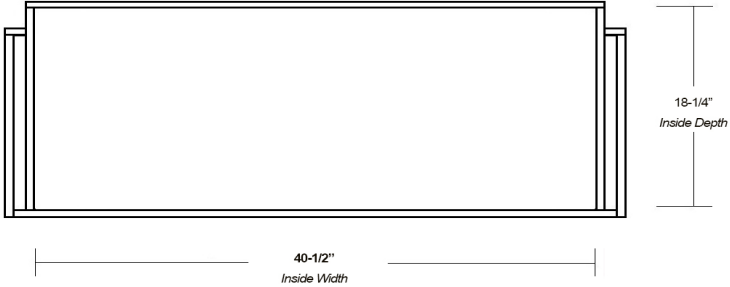


Applied Molding Mantel Range Hood



Item #	Dimensions (h) x (w) x (d)	Liner	Liner
SY-WMHAA4830	30" x 48" x 20-3/4"	SY-HLB-42	SY-HLZ-42
SY-WMHAA4836	36" x 48" x 20-3/4"	SY-HLB-42	SY-HLZ-42
SY-WMHAE4830	30" x 48" x 20-3/4"	SY-HLB-42	SY-HLZ-42
SY-WMHAE4836	36" x 48" x 20-3/4"	SY-HLB-42	SY-HLZ-42
SY-WMHAR4830	30" x 48" x 20-3/4"	SY-HLB-42	SY-HLZ-42
SY-WMHAR4836	36" x 48" x 20-3/4"	SY-HLB-42	SY-HLZ-42

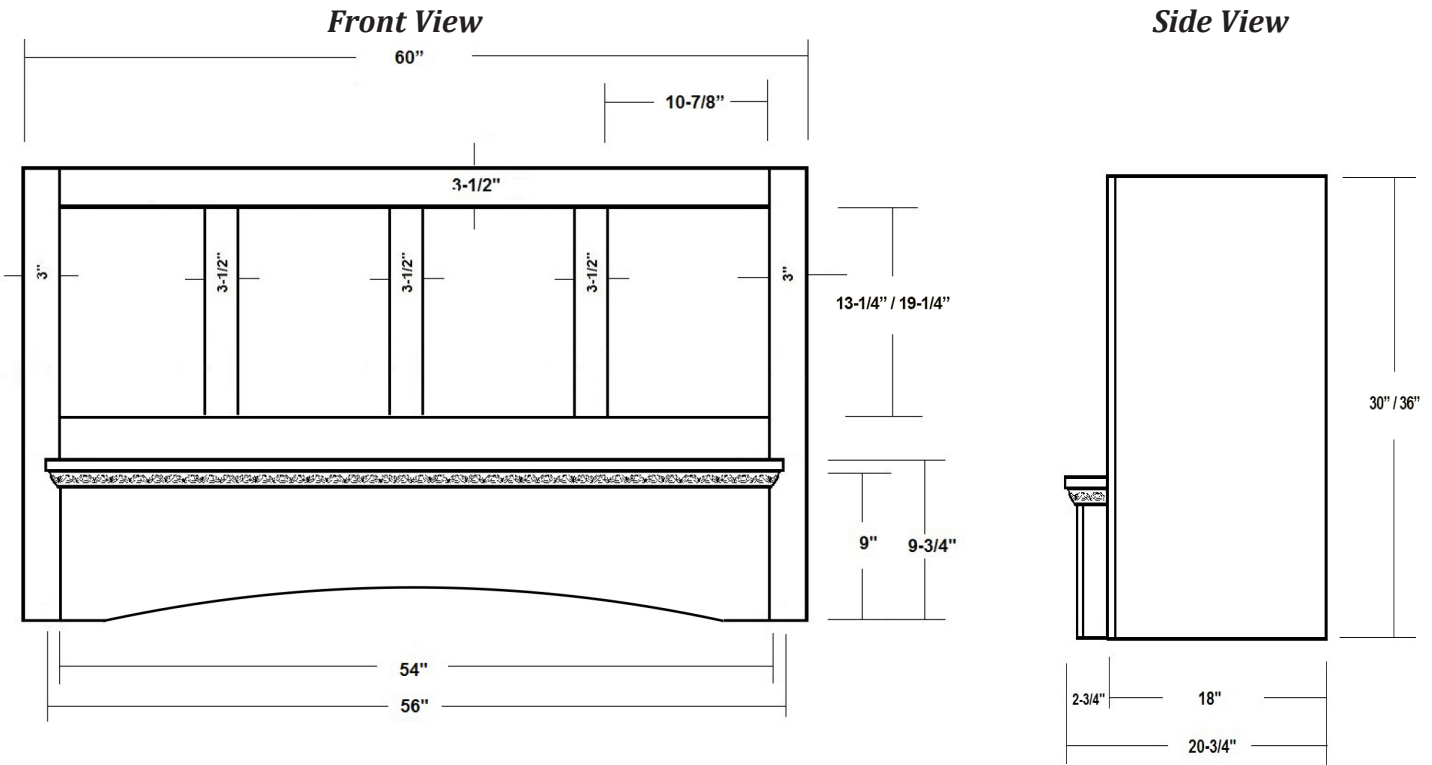


- Hardwood Plywood and Solid Lumber Construction
- 1/2" Rear Plywood Stretchers for wall mounting
- Accepts SY-HLB series Powder Coated or Stainless Steel Liners (*sold separately*)
- Select from 300, 400 or 600 CFM Broan Ventilation power packs (*sold separately*) or
- Ascension 350SL, 350SS, 500SS and 620SS CFM Ventilation power packs (*sold separately*) or
- Ascension 1200 CFM Professional Ventilators (*requires HLZ series Liners*)
- Available in Cherry, Maple and Red Oak
- Designed to be used with customer supplied cabinet doors
- Increased Depth option available
- Choose Acanthus (A), Egg & Dart (E) or Reeded (R) Moldings





Applied Molding Mantel Range Hood



Acanthus Molding Detail

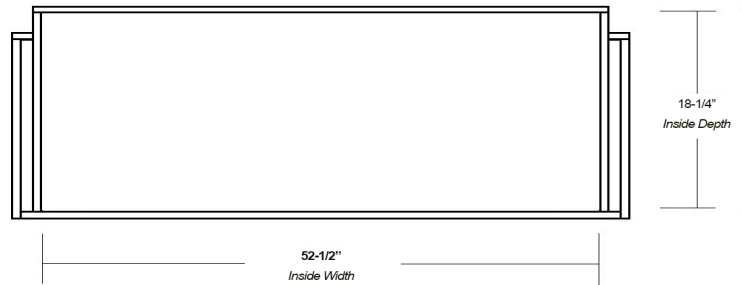


Egg & Dart Molding Detail



Reeded Molding Detail

Item #	Dimensions (h) x (w) x (d)	Liner	Liner
SY-WMHAA6030	30" x 60" x 20-3/4"	SY-HLB-48	SY-HLZ-48
SY-WMHAA6036	36" x 60" x 20-3/4"	SY-HLB-48	SY-HLZ-48
SY-WMHAE6030	30" x 60" x 20-3/4"	SY-HLB-48	SY-HLZ-48
SY-WMHAE6036	36" x 60" x 20-3/4"	SY-HLB-48	SY-HLZ-48
SY-WMHAR6030	30" x 60" x 20-3/4"	SY-HLB-48	SY-HLZ-48
SY-WMHAR6036	36" x 60" x 20-3/4"	SY-HLB-48	SY-HLZ-48



- Hardwood Plywood and Solid Lumber Construction
- 1/2" Rear Plywood Stretchers for wall mounting
- Accepts SY-HLB series Powder Coated or Stainless Steel Liners (*sold separately*)
- Select from 300, 400 or 600 CFM Broan Ventilation power packs (*sold separately*) or
- Ascension 350SL, 350SS, 500SS and 620SS CFM Ventilation power packs (*sold separately*) or
- Ascension 1200 CFM Professional Ventilators (*requires HLZ series Liners*)
- Available in Cherry, Maple and Red Oak
- Designed to be used with customer supplied cabinet doors
- Increased Depth option available
- Choose Acanthus (A), Egg & Dart (E) or Reeded (R) Moldings

